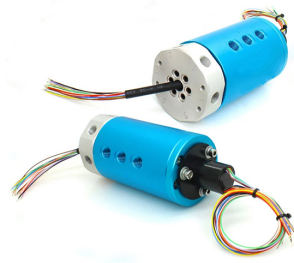


3006006 Series 6 Passages Rotary Unions



6 Passage(G1/8" port,6~8mm pipes)+Electrical(Power/Signal)

support G1/8" port for 6~8mm pipes,can transfer various mediums including compressed air,steam,vacuum,negative pressure,positive pressure,cooling water,hot oil,etc when 360° rotating , it also can combine to transmit electrical power and signal.

Part No. Description

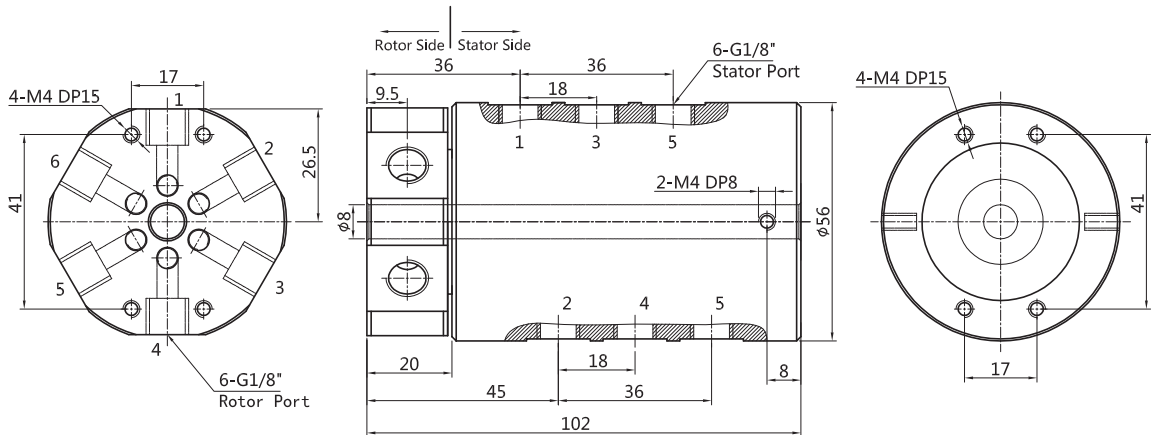
6 Passage Rotary Unions
G1/8" port ,6mm pipes

3006006 - Power Circuits - Signal Circuits

For example:
0610:6 circuits@10A 1230:12 circuits@30A

For example:
06S:6 circuits signal@2A
12S:12 circuits signal@2A

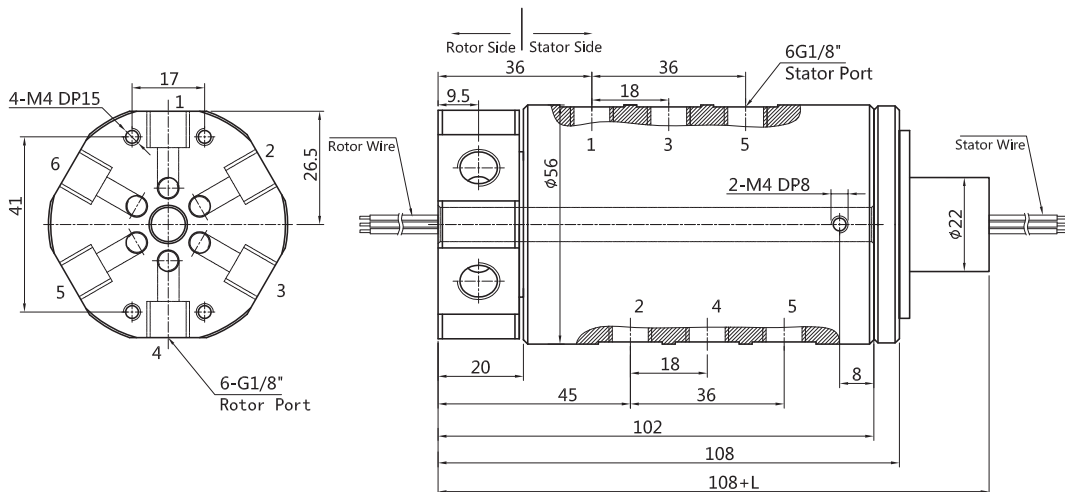
3006006 (Rotary Union Only) Drawing,6 Passage(6~8mm pipe)



Standard Model List

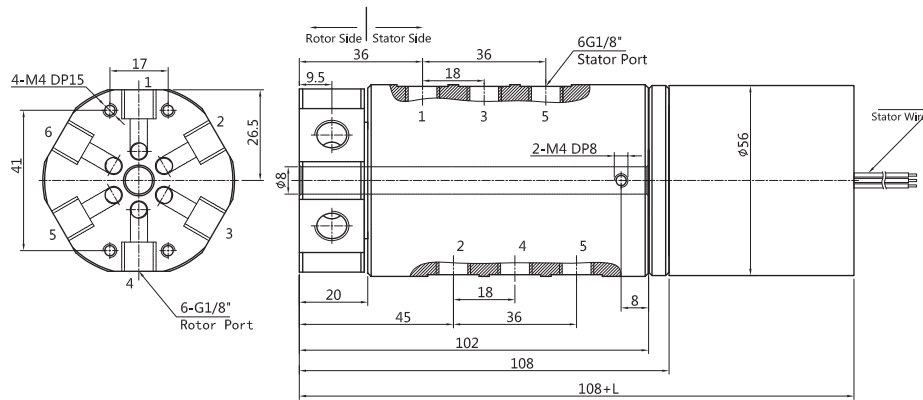
Model	Passages(Gas/Flow)	Port Size	Pipe Size
3006006	6	G1/8"	6~8mm

3006006-X3AX4S 6 Passage(6~8mm pipe)+electrical power/signal(5A, 10A option)



Standard Model List

Model	Passages(Gas/Flow)	Port Size	Pipe Size	Signal Circuits(2A)	Length L(mm)
3006006-06	6	G1/8"	6~8mm	6	14
3006006-12	6	G1/8"	6~8mm	12	21
3006006-24S	6	G1/8"	6~8mm	24	35
3006006-36S	6	G1/8"	6~8mm	36	52.3
3006006-56S	6	G1/8"	6~8mm	56	82



Standard Model List

Model	Passages	Port Size	Pipe Size	Circuits		Length L(mm)
				Power(10A)	Signal(2A)	
3006006-06S	6	G1/8"	6~8mm	0	6	38
3006006-0610	6	G1/8"	6~8mm	6	0	38
3006006-12S	6	G1/8"	6~8mm	0	12	55
3006006-0610-06S	6	G1/8"	6~8mm	6	6	55
3006006-1210	6	G1/8"	6~8mm	12	0	55
3006006-0610-12S	6	G1/8"	6~8mm	6	12	71.5
3006006-1210-06S	6	G1/8"	6~8mm	12	6	71.5
3006006-18S	6	G1/8"	6~8mm	0	18	71.5
3006006-1810	6	G1/8"	6~8mm	18	0	71.5
3006006-0610-18S	6	G1/8"	6~8mm	6	18	88.5
3006006-24S	6	G1/8"	6~8mm	0	24	88.5
3006006-30S	6	G1/8"	6~8mm	0	30	106
3006006-36S	6	G1/8"	6~8mm	0	36	125

Technical Specification

Rotary Union Specification			
Passages	6 Passage	Max. Pressure	1Mpa, Vacuum -1.5kPa
Pipe size	6~8mm Pipe(G1/8")	torque	<0.6N.m
Mechanical parameters		Electrical parameters	
Spec.	Data	Spec.	Data
Working Life	20millions for ref (depends on working conditions)	Voltage Range	0~440VAC/VDC
		Insulation Resistance	<500MΩ/300VDC
Max. Speed	250RPM continously, 1000RPM intermittently	Lead Wire Spec.	AWG17# Silver-plated teflon wire
		Lead Wire Length	standard 250mm(can be customized)
Working Temp.	-30°C~80°C	Insulation Resistance	500VAC@50Hz,6s
Work Humidity	0~85% RH	Electrical Noise	<0.01Ω
Contact Material	precious metal		
Housing Material	aluminum alloy		
IP Grade	IP51		