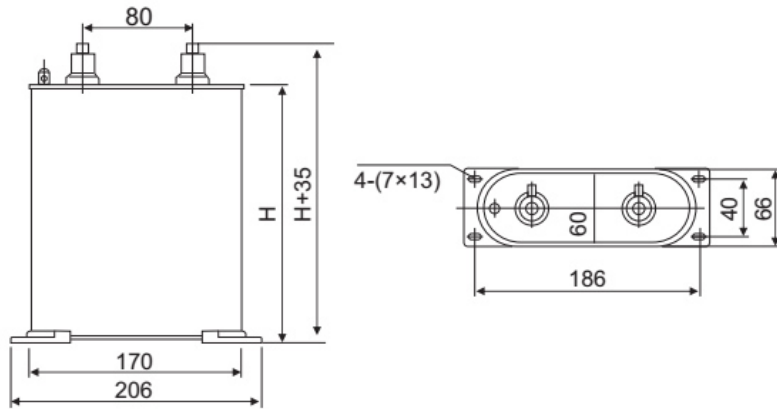


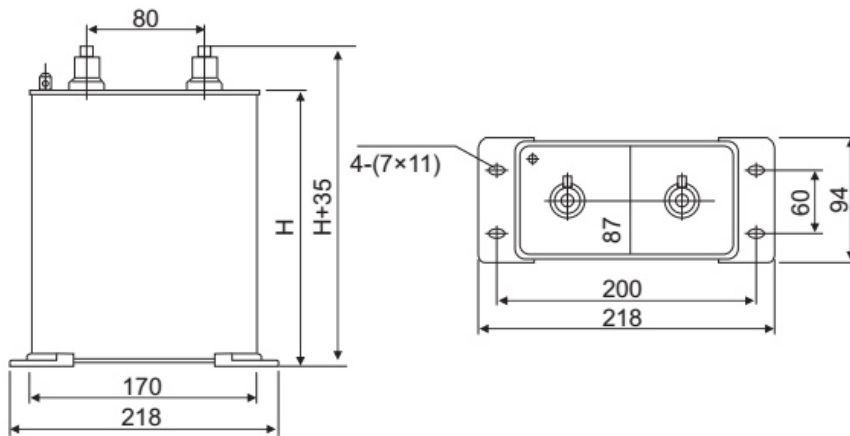
ATO Self-healing low voltage shunt capacitors (single phase)

Model	Rated Voltage (KV)	Rated Capacity (Kvar)	Rated Capacity (μF)	Rated Current (A)	Height (mm)	Outgoing terminal	Drawing No.
0.25-5-1	0.25	5	255.0	20	130	M6	1
0.25-7.5-1	0.25	7.5	382.0	30	180	M8	1
0.25-10-1	0.25	10	510.0	40	210	M8	1
0.25-15-1	0.25	15	764.0	60	260	M8	2
0.25-20-1	0.25	20	1019.0	80	330	M10	2
0.25-25-1	0.25	25	1274.0	100	345	M10	2
0.25-30-1	0.25	30	1529.0	120	220	2xM10	3
0.4-10-1	0.4	10	198.9	25	180	M6	2
0.4-12-1	0.4	12	238.7	30	180	M6	2
0.4-15-1	0.4	15	298.4	37.5	210	M8	2
0.4-16-1	0.4	16	318.3	40	210	M8	2
0.4-18-1	0.4	18	358.1	45.0	245	M8	2
0.4-20-1	0.4	20	397.9	50	245	M8	2
0.4-25-1	0.4	25	497.4	62.5	210	M8	2
0.4-30-1	0.4	30	596.8	75	260	M8	2
0.4-35-1	0.4	35	696.3	87.5	260	M8	2
0.4-40-1	0.4	40	796.2	100	330	M10	2
0.4-45-1	0.4	45	895.2	112.5	220	2xM10	2
0.4-50-1	0.4	50	995.2	125	220	2xM10	2
0.4-60-1	0.4	60	1194.3	150	220	2xM10	2
0.45-10-1	0.45	10	157.2	22.2	180	M6	2
0.45-12-1	0.45	12	188.6	26.7	180	M6	2
0.45-15-1	0.45	15	235.8	33.3	210	M8	2
0.45-16-1	0.45	16	251.5	35.6	210	M8	2
0.45-18-1	0.45	18	282.9	40	210	M8	2
0.45-20-1	0.45	20	314.4	44.4	210	M8	2
0.4-25-1	0.45	25	393.2	55.6	210	M8	2
0.45-30-1	0.45	30	471.8	66.7	210	M8	2
0.45-35-1	0.45	35	550.2	77.8	260	M10	2
0.45-40-1	0.45	40	629.1	88.9	260	M10	2
0.45-45-1	0.45	45	707.4	100.0	260	M10	3

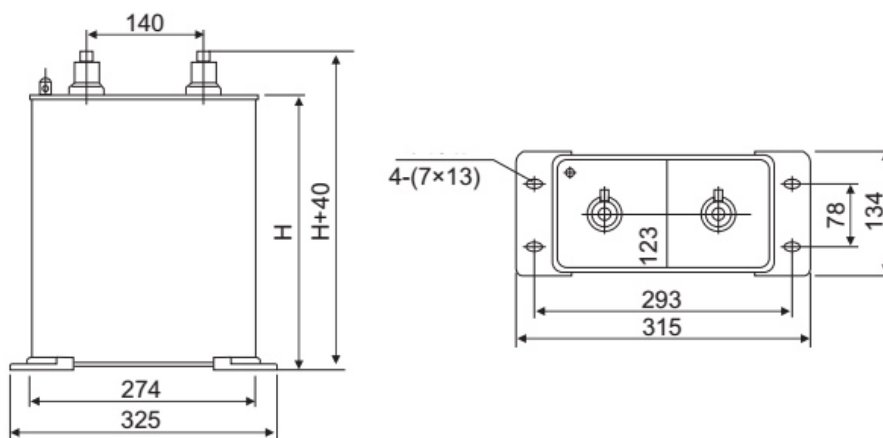
Dimension



NO 1



NO 2



NO 3