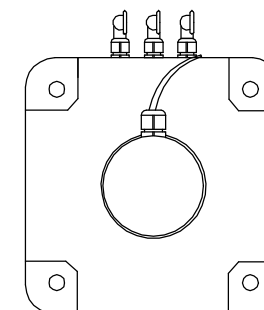
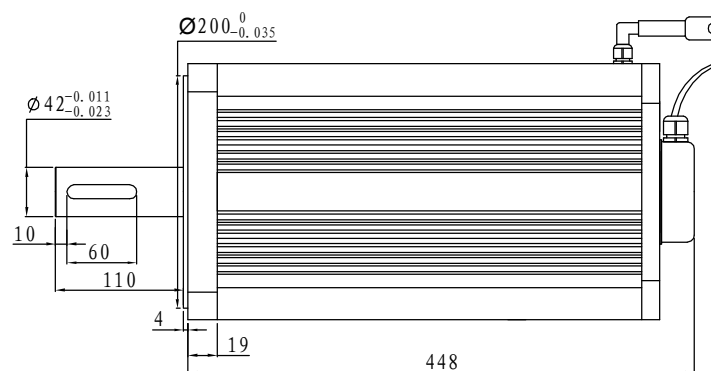
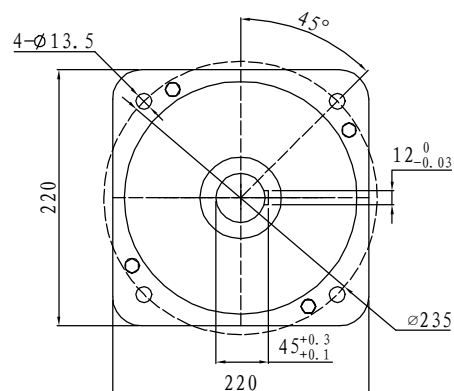
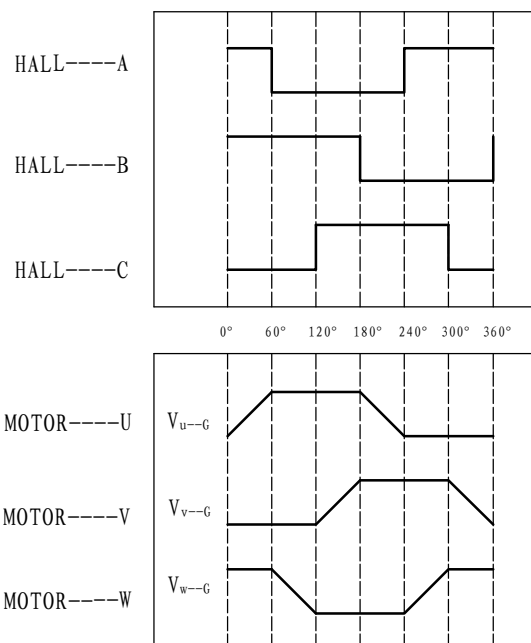


Dimension: mm



Motor to Hall Relationship



PHASE TO GROUND VOLTAGE
ROTATION CW FROM THE FLANGE

Line Define

Power Wire

Red	Motor U
Yellow	Motor V
Blue	Motor W

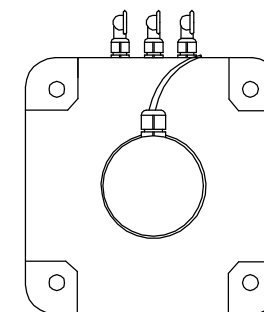
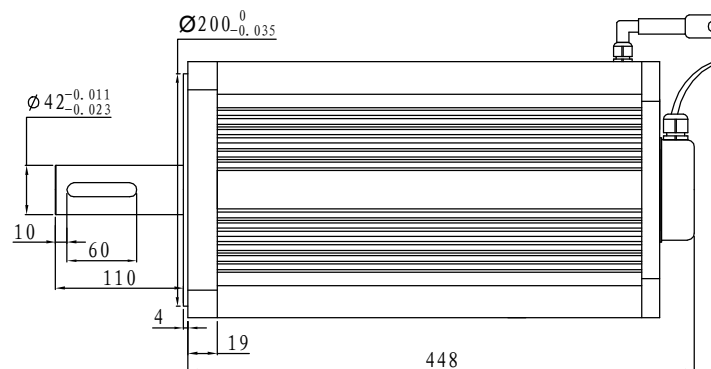
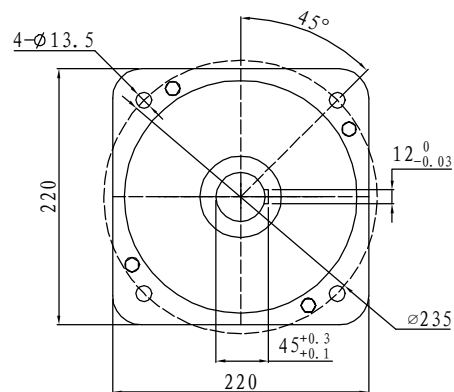
Feedback Wire

Hall line colour	Hall signal definition	Plug serial number
Red	5V	1
Black	0V	2
Yellow	Hall A	4
Blue	Hall B	5
Green	Hall C	6

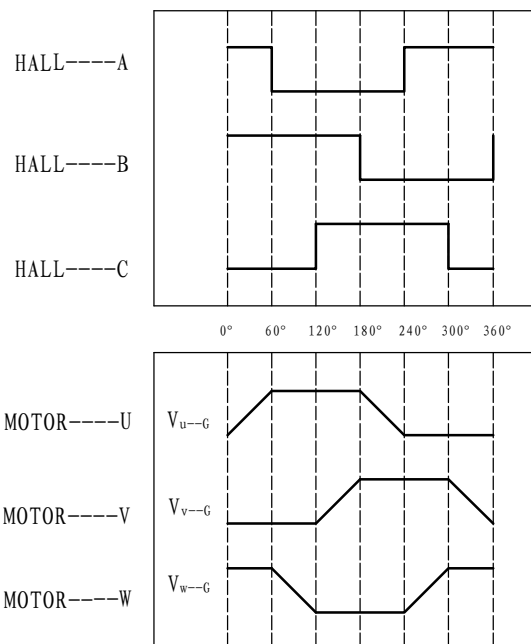
Tecnichal Data

Type	220WD-M500200-48V
Power (KW)	10.1
Rated voltage (V)	48
Rated current (A)	277
Rated speed (rpm)	2000
Rated torque (NM)	50
Rotor inertia (Kgc ^m 2)	335x10 ⁻⁴
Protection rank	IP65
Insulation rank	F
Appropriate environment	Temperature:-20 ~ 60°C Humidity: < 90% (No dewdrop)
Motor weight (KG)	70

Dimension: mm



Motor to Hall Relationship



Line Define

Power Wire

Red	Motor U
Yellow	Motor V
Blue	Motor W

Feedback Wire

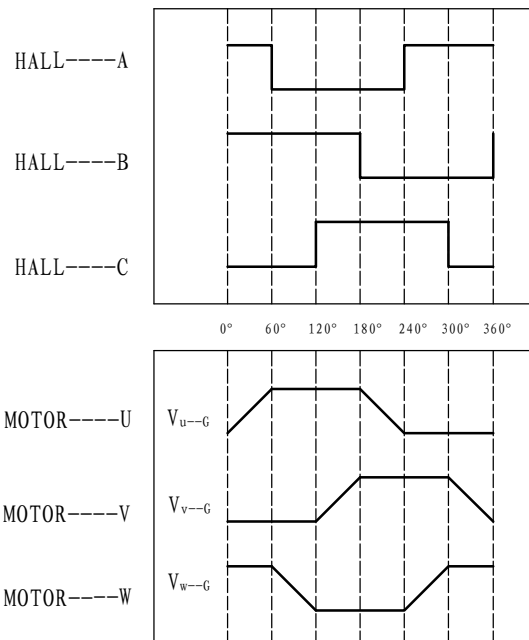
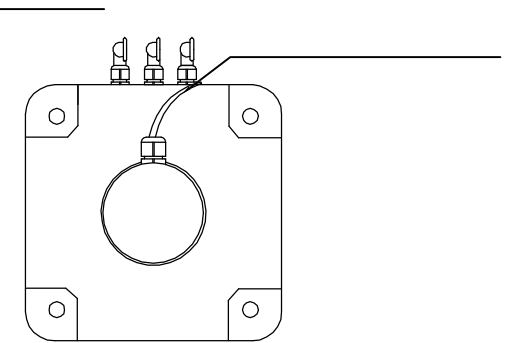
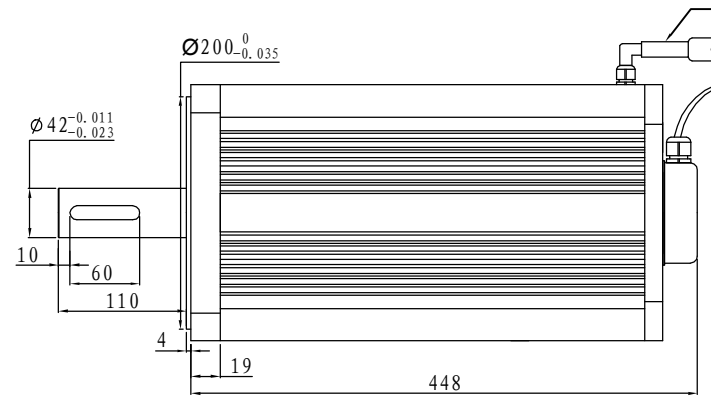
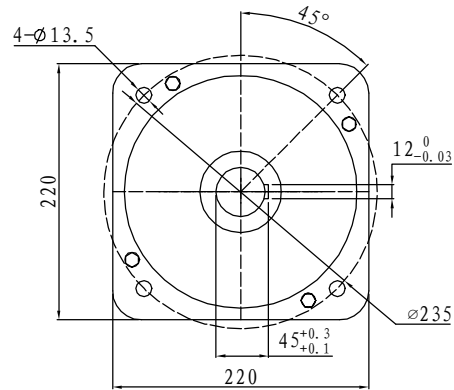
Hall line colour	Hall signal definition	Plug serial number
Red	5V	1
Black	0V	2
Yellow	Hall A	4
Blue	Hall B	5
Green	Hall C	6

Tecnichal Data

Type	220WD-M500200-72V
Power (KW)	10.1
Rated voltage (V)	72
Rated current (A)	163
Rated speed (rpm)	2000
Rated torque (NM)	50
Rotor inertia (Kgcm ²)	335x10 ⁻⁴
Protection rank	IP65
Insulation rank	F
Appropriate environment	Temperature: -20 ~ 60°C Humidity: < 90% (No dewdrop)
Motor weight (KG)	70

PHASE TO GROUND VOLTAGE
ROTATION CW FROM THE FLANGE

Dimension: mm



Line Define

Power Wire

Red	Motor U
Yellow	Motor V
Blue	Motor W

Feedback Wire

Hall line colour	Hall signal definition	Plug serial number
Red	5V	1
Black	0V	2
Yellow	Hall A	4
Blue	Hall B	5
Green	Hall C	6

Tecnichal Data

Type	220WD-M500200-96V
Power (KW)	10.1
Rated voltage (V)	96
Rated current (A)	122
Rated speed (rpm)	2000
Rated torque (NM)	50
Rotor inertia (Kgm ²)	335x10 ⁻⁴
Protection rank	IP65
Insulation rank	F
Appropriate environment	Temperature:-20 ~ 60°C Humidity: < 90% (No dewdrop)
Motor weight (KG)	70

PHASE TO GROUND VOLTAGE
ROTATION CW FROM THE FLANGE