
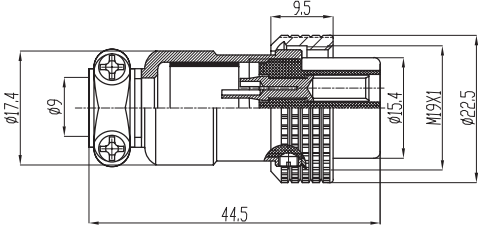

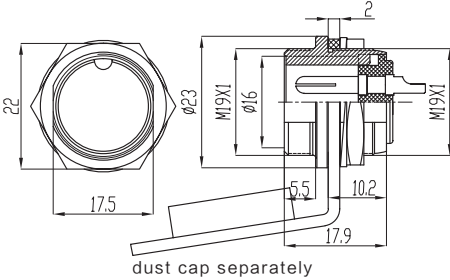

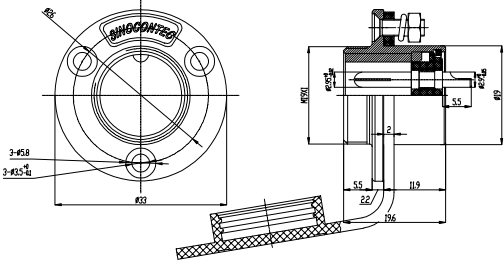

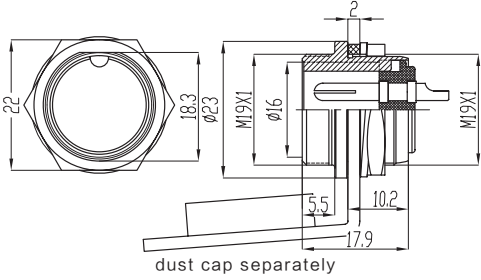

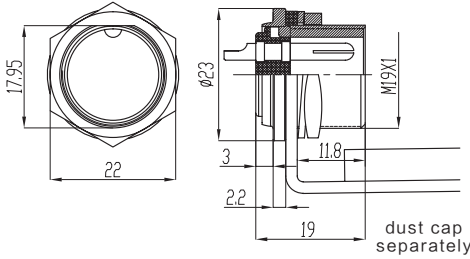

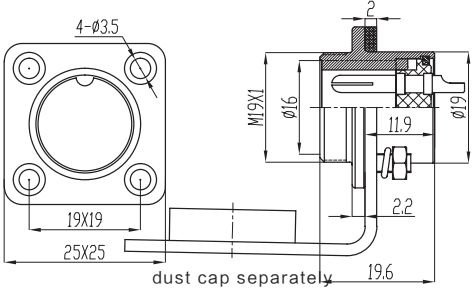

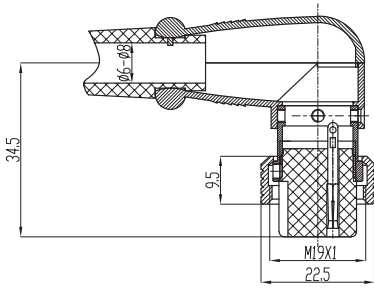

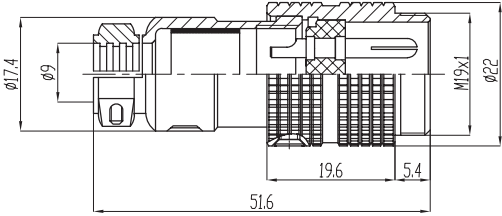

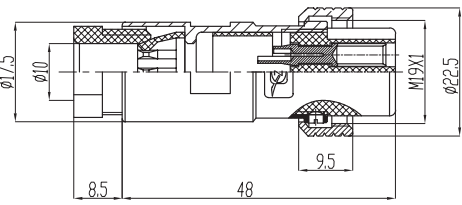

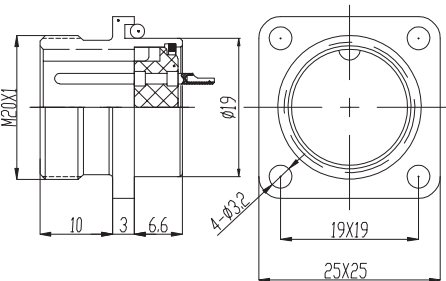

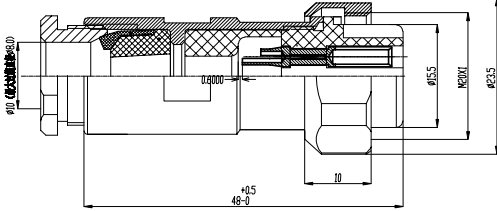
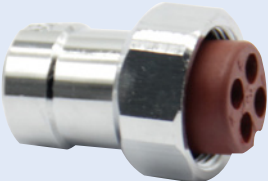
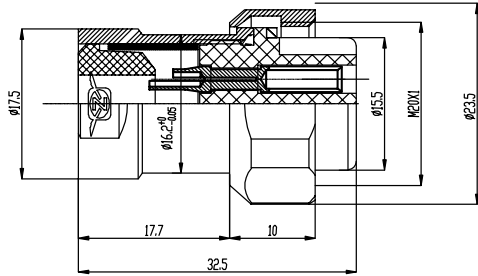
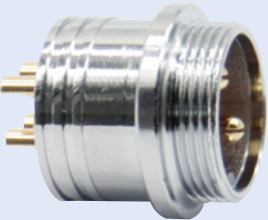
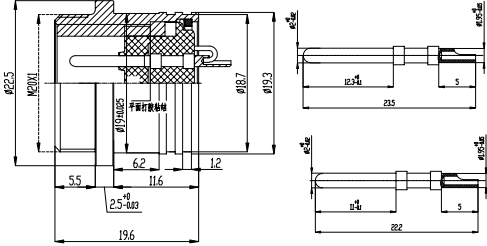


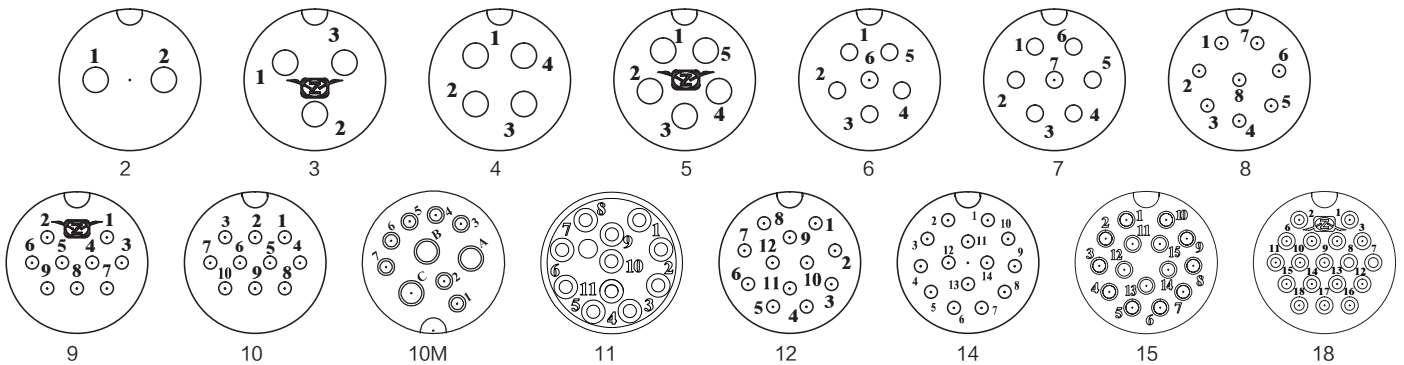
Description-Figure	Drawing	Contacts	Ordering-NO
<p>Cable plug IP55</p> 		<p>2 3 4 5 6 7 8 9 10 10M 12 14 15 18</p>	<p>19M-2A 19M-3A 19M-4A 19M-5A 19M-6A 19M-7A 19M-8A 19M-9A 19M-10A 19M-10MA 19M-12A 19M-14A 19M-15A 19M-18A</p>
<p>Double notched male socket IP55</p> 	 <p>dust cap separately</p>	<p>2 3 4 5 6 7 8 9 10 10M 12 14 15 18</p>	<p>19M-2B 19M-3B 19M-4B 19M-5B 19M-6B 19M-7B 19M-8B 19M-9B 19M-10B 19M-10MB 19M-12B 19M-14B 19M-15B 19M-18B</p>
<p>Three eyes flange socket IP55</p> 		<p>2 3 4 5 6 7 8 9 10 10M 12 14 15 18</p>	<p>19M-2E 19M-3E 19M-4E 19M-5E 19M-6E 19M-7E 19M-8E 19M-9E 19M-10E 19M-10ME 19M-12E 19M-14E 19M-15E 19M-18E</p>

Description-Figure	Drawing	Contacts	Ordering-NO
<p>Single notched male socket IP55</p> 		<p>2 3 4 5 6 7 8 9 10 10M 11 12 14 15 18</p>	<p>19M-2G 19M-3G 19M-4G 19M-5G 19M-6G 19M-7G 19M-8G 19M-9G 19M-10G 19M-10MG 19M-11G 19M-12G 19M-14G 19M-15G 19M-18G</p>
<p>The male panel socket IP55</p> 		<p>2 3 4 5 6 7 8 9 10 10M 11 12 14 15 18</p>	<p>19M-2F 19M-3F 19M-4F 19M-5F 19M-6F 19M-7F 19M-8F 19M-9F 19M-10F 19M-10MF 19M-11F 19M-12F 19M-14F 19M-15F 19M-18F</p>
<p>Square flange socket IP55</p> 		<p>2 3 4 5 6 7 8 9 10 10M 11 12 14 15 18</p>	<p>19M-2H 19M-3H 19M-4H 19M-5H 19M-6H 19M-7H 19M-8H 19M-9H 19M-10H 19M-10MH 19M-11H 19M-12H 19M-14H 19M-15H 19M-18H</p>
<p>90° angled female plug IP55</p> 		<p>2 3 4 5 6 7 8 9 10 10M 11 12 14 15 18</p>	<p>19M-2D 19M-3D 19M-4D 19M-5D 19M-6D 19M-7D 19M-8D 19M-9D 19M-10D 19M-10MD 19M-11D 19M-12D 19M-14D 19M-15D 19M-18D</p>

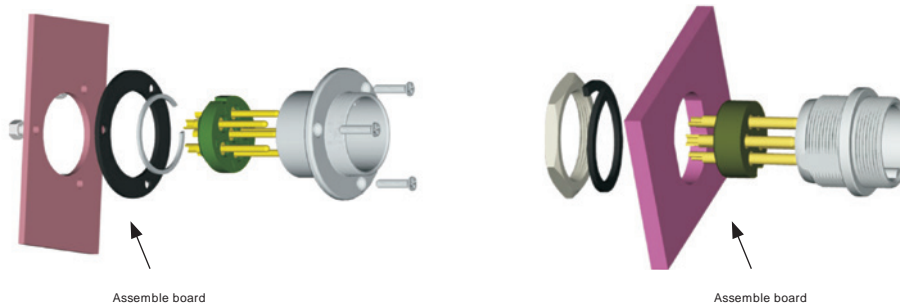
Description-Figure	Drawing	Contacts	Ordering-NO
<p>Male cable connecting plug IP55</p> 		<p>2 3 4 5 6 7 8 9 10 10M 11 12 14 15 18</p>	<p>19M-2K 19M-3K 19M-4K 19M-5K 19M-6K 19M-7K 19M-8K 19M-9K 19M-10K 19M-10MK 19M-11K 19M-12K 19M-14K 19M-15K 19M-18K</p>
<p>PG9 waterproof female plug IP67</p> 		<p>2 3 4 5 6 7 8 9 10 10M 11 12 14 15 18</p>	<p>19M-2A3 19M-3A3 19M-4A3 19M-5A3 19M-6A3 19M-7A3 19M-8A3 19M-9A3 19M-10A3 19M-10MA3 19M-11A3 19M-12A3 19M-14A3 19M-15A3 19M-18A3</p>
<p>Waterproof socket IP67</p> 		<p>2 3 4 5 6 7 8 9 10 10M 11 12 14 15 18</p>	<p>19M-2H2 19M-3H2 19M-4H2 19M-5H2 19M-6H2 19M-7H2 19M-8H2 19M-9H2 19M-10H2 19M-10MH2 19M-11H2 19M-12H2 19M-14H2 19M-15H2 19M-18H2</p>

Description-Figure	Drawing	Contacts	Ordering-NO
<p>PG9 waterproof female plug IP67</p> 		4	19M-4A4
<p>Short PG9 waterproof female plug IP67</p> 		4	19M-4A5
<p>PG9 Waterproof male socket BGK IP67</p> 		4	19M-4BGK
		7	19M-7BGK

The hole place arranges(Comply with the needle direction)



Assemble way



Material and specifications

Coupling	Threaded coupling	Termination	Solder
Shell material	Zinc alloy with nickelplate	Mating cycle	500
Insert material	bakelite	Temperature range	-20℃ ~ +85℃
Contact material	copper(silverplated/gold)	Cable diameter	≤ φ9.5mm

Technology parameter

NO.of contacts	2	3	4	5	6	7	8	9	10	10M	11	12	14	15	18
Rated current/voltage	20A/ 250V	20A/ 250V	20A/ 250V	15A/ 200V	10A/ 200V	10A/ 200V	7A/ 150V	7A/ 150V	7A/ 150V	7A/150V 10A/200V	7A/ 150V	7A/ 150V	7A/ 150V	7A/ 150V	7A/ 150V
Operation limit voltage(AC.V.rms)	250	250	250	200	200	200	200	200	200	200	200	200	200	200	200
Withstanding voltage(AC.V.rms) 1 minute	1500	1500	1500	1000	1000	1000	1000	1000	1000	1000	1000	1000	1000	1000	1000
Insulation resistance(MΩ MIN.) at DC 500V	1500	1500	1500	1500	1500	1500	1500	1000	1000	1000	1000	1000	1000	1000	1000
Contact resistance (mΩ MAX.) AT DC 1A	3	3	3	3	3	3	3	3	3	1 3	3	3	3	3	3
Solder cup mouth aperture	2	2	2	1.2	0.8	0.8	0.8	0.8	0.8	0.8 1.2	0.8	0.8	0.8	0.8	0.8
Solder inter diameter mm	2.95	2.95	2.95	2.95	2	2	1.5	1.5	1.5	1.5 2.4	1.5	1.5	1.5	1.5	1.5