

ATO

Magnetic Drive Pump Manual

ATO-PW-F



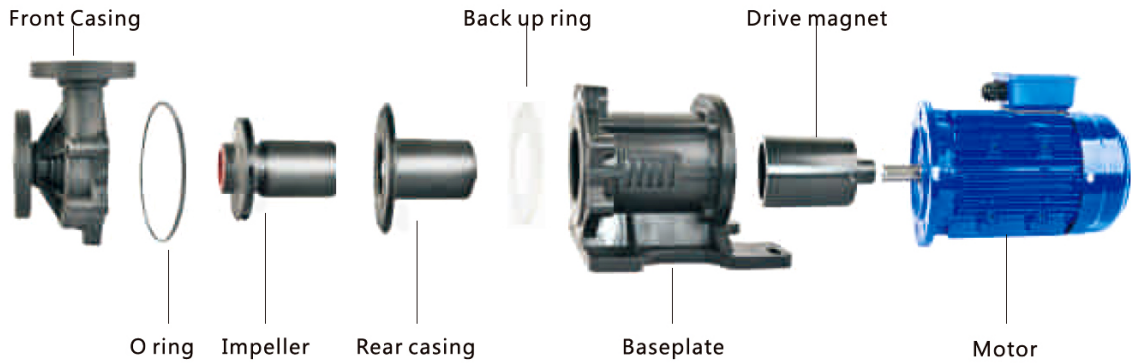
Features:

- ETFE (carbon-fiber reinforced) wetted-end material.
- Flow rates up to 830 L/min and discharge head of 34m.
- Able to handle many types of chemical and temperature up to 90 °C.
- Available in flange connections.

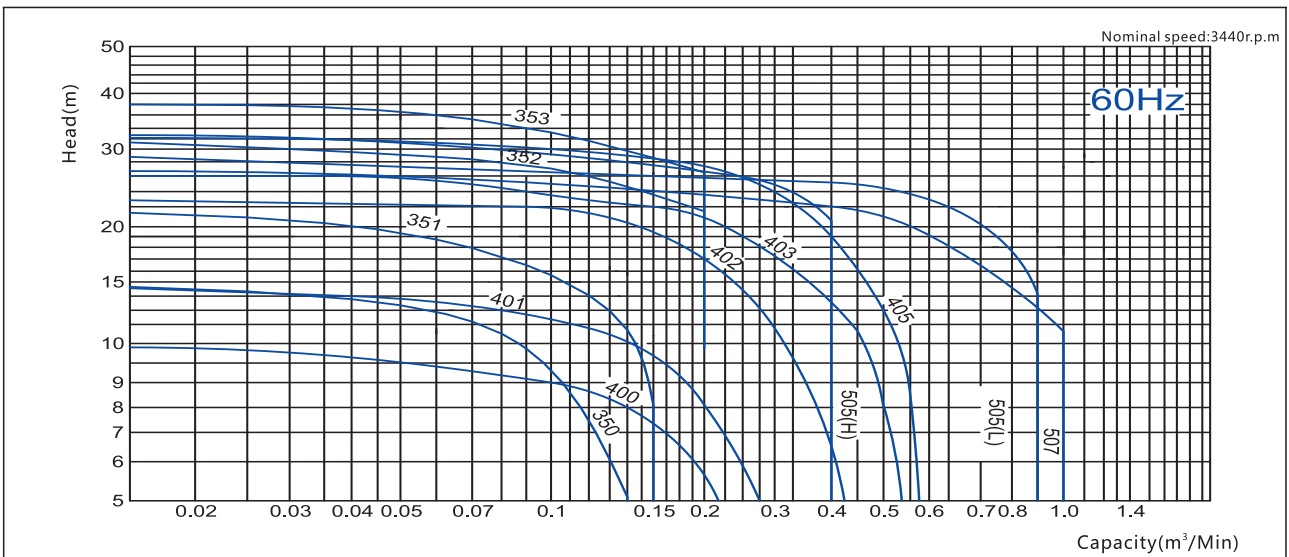
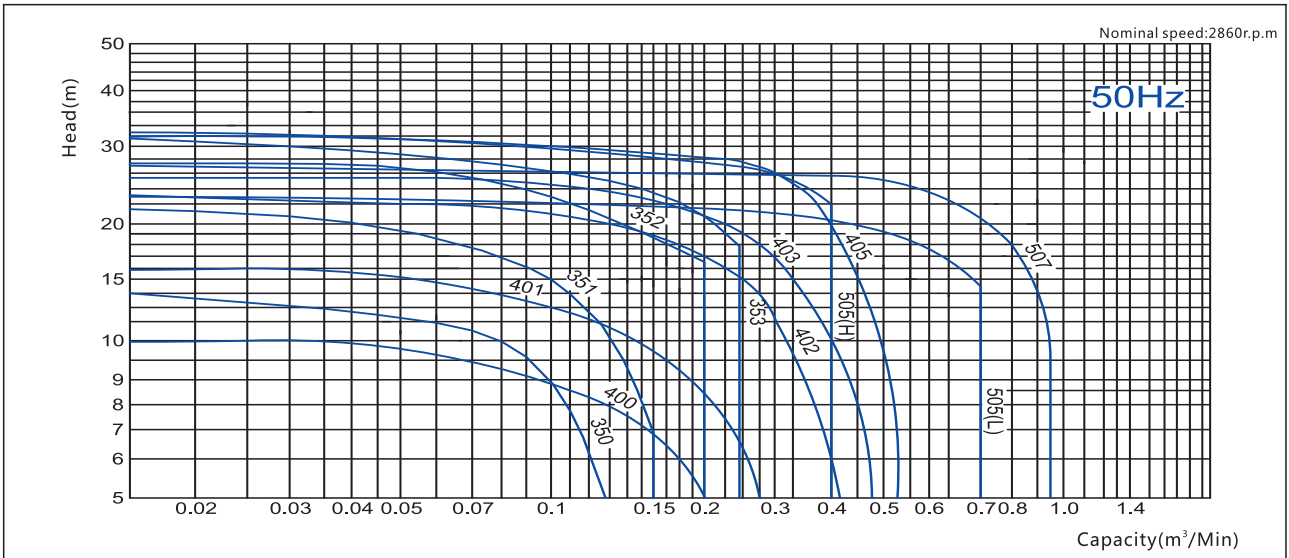
Specification:

Model	Flange Size		Pump Performance at Specified Point(M-L/min)			Motor Output(kW)
	Outlet(mm)	Inlet(mm)	Specific Gravity	50hz	60hz	
350PW-F	25	25	1.2	10.0-80	11.0-80	0.37
			1.5	11.0-40	11.0-50	
			1.9	6.0-50	7.0-60	
351PW-F	25	25	1.2	15.0-100	17.0-80	0.75
			1.5	12.4-80	14.5-70	
			1.9	12.0-80	14.5-20	
352PW-F	32	32	1.2	23.0-100	27.0-100	1.5
			1.5	21.0-100	25.0-100	
			1.9	18.0-100	21.0-100	
353PW-F	32	32	1.2	24.0-150	32.0-120	2.2
			1.5	22.0-150	29.0-120	
			1.9	19.0-150	25.0-120	
403PW-F	40	50	1.2	24.5-390	20.5-390	3.7
			1.5	20.5-310	20.3-350	
			1.9	15.2-220	19.3-390	
507PW-F	50	65	1.2	21.5-600	22.5-600	5.5
			1.5	19.0-600	19.5-600	
			1.9	16.0-600	15.0-600	
Casing Material	ETFE					
Shaft Material	ceramic					
Bearing Material	carbon					
O-ring Material	FKM					
Interface Mode	thread, flange					

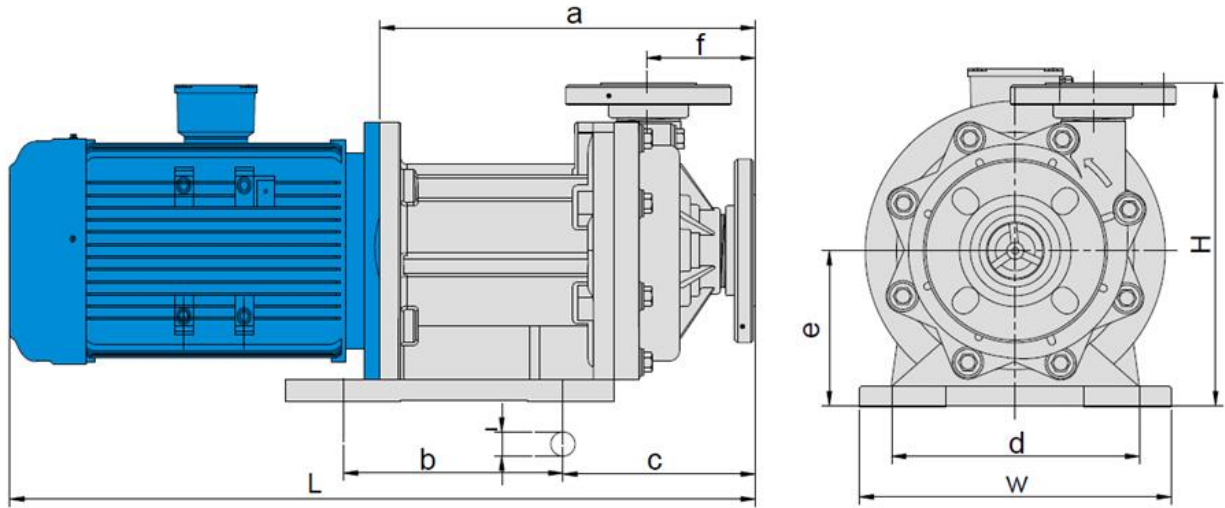
PW-F Magnetic Drive Pump Structure:



PW-F Pump Performance Curve:



Dimension (Unit: mm)



Model	W	H	L	a	b	c	d	e	f
350PW-F	157	257	472	232.5	130	161	130	115	88
351PW-F	160	257	470	240	130	170	130	115	88
352PW-F	160	242	505.5	222.5	132	155	130	120	78
353PW-F	160	242	505.5	222.5	132	155	130	120	78
403PW-F	260	255	620	305	200	158	208	115	89
507PW-F	260	319	676.5	311.5	300	123.2	220	162	89.5