

1500W 3-Phase AC Gear Motor

ATO-GEAR-HV1500

Affordable price 3-phase AC gear motor for sale, working power 2 hp (1.5kW), input voltage 110V/220V/380V (3-phase or single phase), optional gear ratio 3:1~100:1, torque 2.2~83.7 kg.m, shaft diameter 32mm/40mm, vertical/horizontal mounting type. Adding brake for electric geared motor power cutting is available.

Basic Specification

Model	ATO-CV32-1500-30-S
Rated Power	1500W (2 hp)
Rated Voltage	Single-phase 110V, 50/60Hz Single-phase 220V, 50/60Hz 3-phase 220V, 50/60Hz 3-phase 380-415V, 50/60Hz
Gear Ratio	3:1/ 5:1/ 10:1/ 15:1/ 20:1/ 25:1/ 30:1/ 40:1/ 45:1/ 50:1/ 60:1/ 70:1/ 80:1/ 90:1/ 100:1
Duty	Continuous running
Working Environment	Temperature 10°C~+40°C Humidity ≤90%
Pole	4P (6P)
Working Height	≤1000m
Standard	GB755/IEC-60034

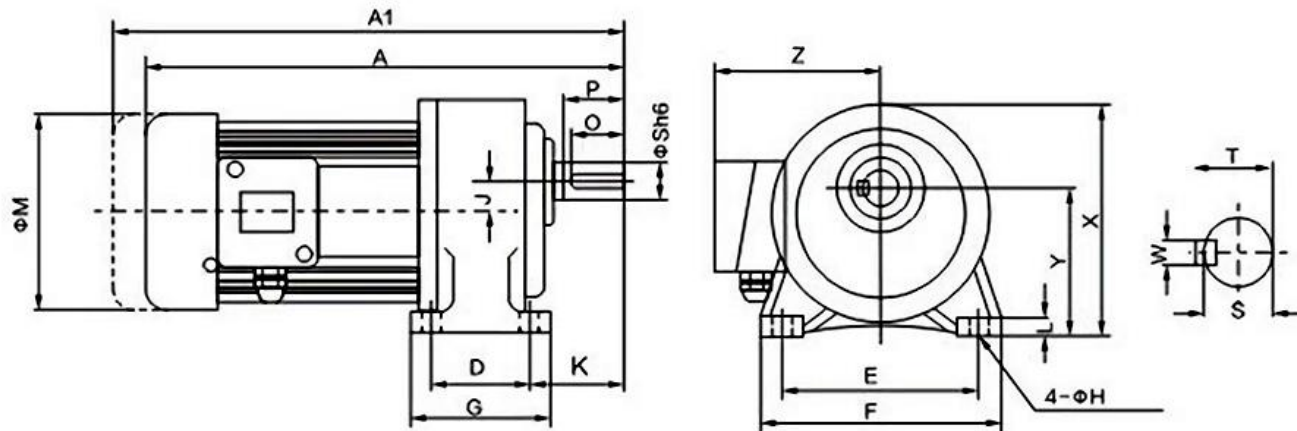
1.5kW AC Gear Motor Load Current Value

Phase	3-Phase							
Frequency	50Hz				60Hz			
Voltage	220V	380V	415V	440V	220V	380V	440V	460V
Current	6.59A	3.82A	3.49A	3.30A	6.10A	3.53A	3.05A	2.92A
Phase	Single-Phase							
Frequency	50Hz				60Hz			
Voltage	110V	115V	220V	230V	110V	115V	220V	230V
Current	21.00A	19.80A	11.50A	10.00A	17.50A	16.50A	9.58A	8.33A

1.5kW AC Gear Motor Output Torque

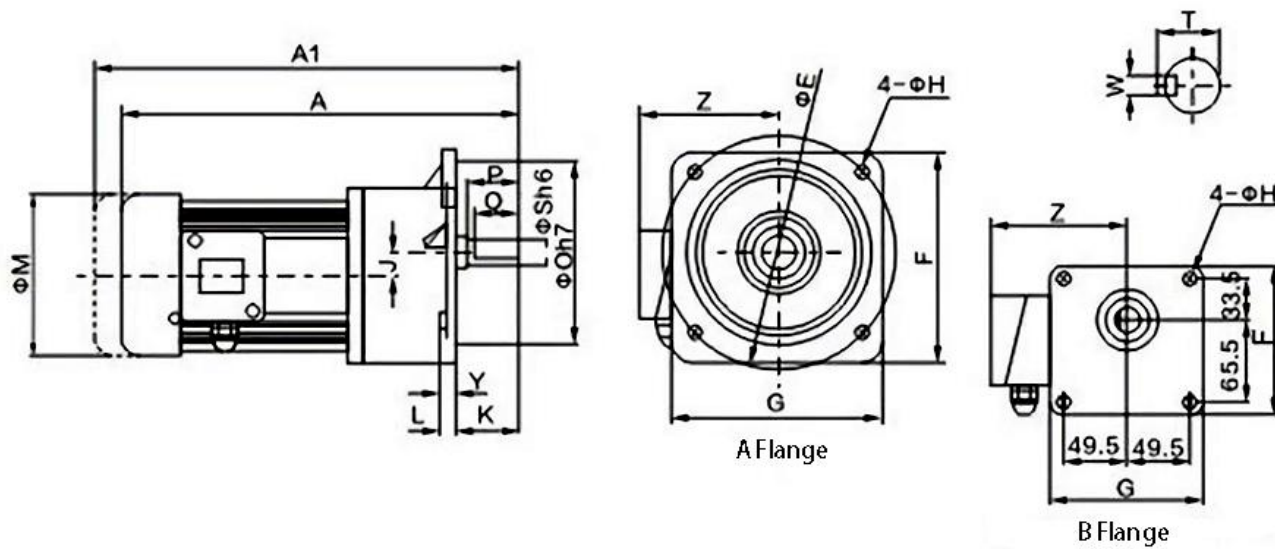
Gear Ratio		3	5	10	15	20	25	30	40	45	50	60	70	80	90	100
Output Speed (rpm)	50Hz	465	300	150	100	75	60	50	37	33	30	25	21	19	17	15
	60Hz	570	360	180	120	90	72	60	45	40	36	30	25	23	20	18
Output Torque (kg.m)	50Hz	2.6	4.5	9.1	13.5	18.1	22.6	27.1	34.9	41.4	43.6	52.4	62.4	70.8	77.1	83.7
	60Hz	2.2	3.8	7.6	11.3	15.1	18.9	22.6	29.1	34	36.4	43.7	52	59	64.3	69.8

1.5kW Horizontal AC Gear Motor Dimensions (Unit: mm)



Gear Ratio	Shaft Diameter	A	D	E	F	G	H	J	K	L	M	X	Y	Z	S	P	Q	W	T	Weight (kg)
3~30	32	450	130	170	215	165	13	30	70	21	192	216	138.5	146	32	55	50	10	35.5	36
40~100	40	510	150	210	265	205	15	59	83	23	192	250	165	146	40	65	60	10	43.5	52

1.5kW Vertical AC Gear Motor Dimensions (Unit: mm)



Gear Ratio	Shaft Diameter	A	D	E	F	G	H	J	K	L	M	Y	Z	S	P	Q	W	T	Weight (kg)
3~30	32	450	185	255	248	255	13	30	65	16	192	3	146	32	55	50	10	35.5	36
40~100	40	510	230	310	290	268	15	59	83	21	192	5	146	40	65	60	10	43.5	52