

400W 3-Phase AC Gear Motor

ATO-GEAR-HV400

1/2 hp (400 watt) 3-phase gear motor with excellent performance and good price, gear ratio selected in 3~100:1, power supply is available in single phase and 3-phase 110V/220V/380V. The gear reduction motor can cut power off easily when it connects with a brake.

Basic Specification

| | |
|---------------------|--|
| Model | ATO-CH22-400-10-S |
| Rated Power | 400W (1/2 hp) |
| Rated Voltage | Single-phase 110V, 50/60Hz Single-phase 220V, 50/60Hz 3-phase 220V, 50/60Hz 3-phase 380-415V, 50/60Hz |
| Gear Ratio | 3:1/ 5:1/ 10:1/ 15:1/ 20:1/ 25:1/ 30:1/ 40:1/ 45:1/ 50:1/ 60:1/ 70:1/ 80:1/ 90:1/ 100:1 |
| Duty | Continuous running |
| Working Environment | Temperature 10°C~+40°C Humidity ≤90% |
| Pole | 4P (6P) |
| Working Height | ≤1000m |
| Standard | GB755/IEC-60034 |

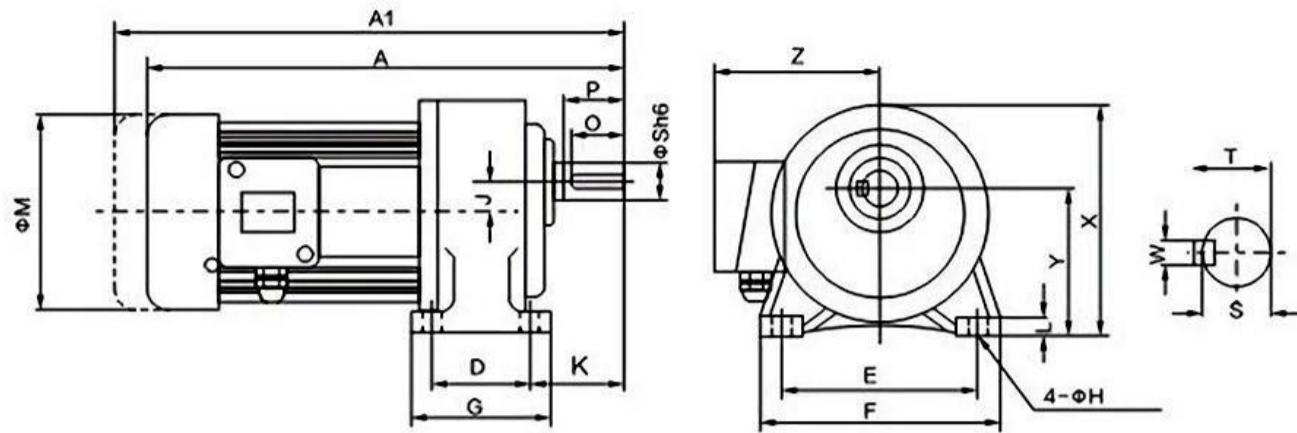
400W AC Gear Motor Load Current Value

| | | | | | | | | |
|-----------|--------------|-------|-------|-------|-------|-------|-------|-------|
| Phase | 3-Phase | | | | | | | |
| Frequency | 50Hz | | | | 60Hz | | | |
| Voltage | 220V | 380V | 415V | 440V | 220V | 380V | 440V | 460V |
| Current | 2.14A | 1.24A | 1.31A | 1.07A | 1.90A | 1.10A | 0.95A | 0.91A |
| Phase | Single-Phase | | | | | | | |
| Frequency | 50Hz | | | | 60Hz | | | |
| Voltage | 110V | 115V | 220V | 230V | 110V | 115V | 220V | 230V |
| Current | 6.50A | 6.10A | 3.25A | 3.05A | 5.40A | 5.00A | 2.70A | 2.54A |

400W AC Gear Motor Output Torque

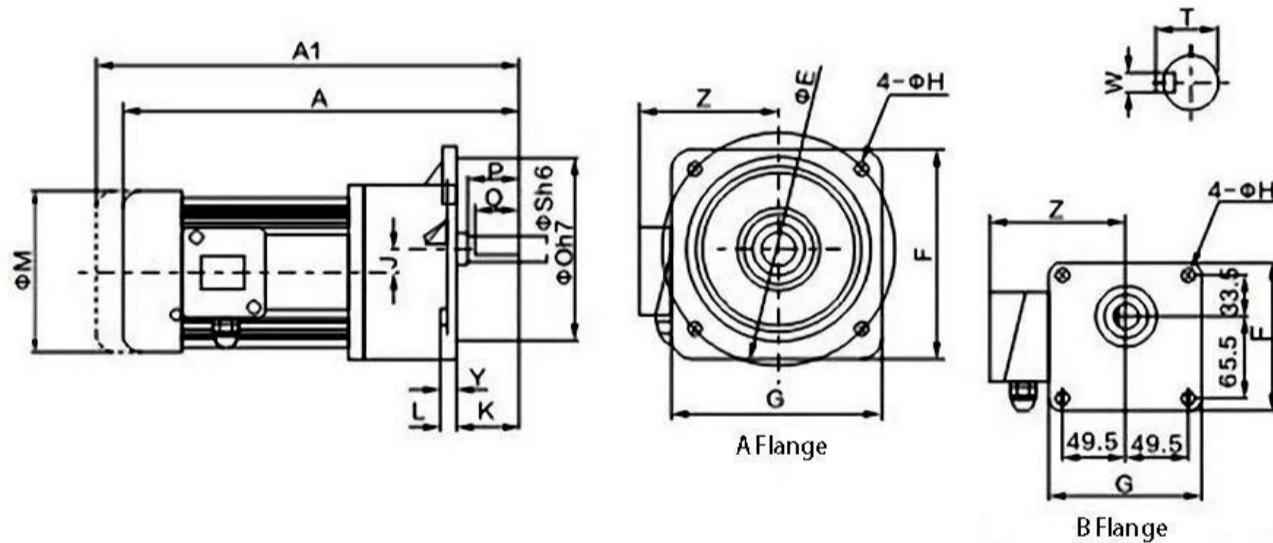
| | | | | | | | | | | | | | | | | |
|----------------------|------|-----|-----|-----|-----|-----|----|-----|-----|------|------|------|------|------|------|------|
| Gear Ratio | | 3 | 5 | 10 | 15 | 20 | 25 | 30 | 40 | 45 | 50 | 60 | 70 | 80 | 90 | 100 |
| Output Speed (rpm) | 50Hz | 465 | 300 | 150 | 100 | 75 | 60 | 50 | 37 | 33 | 30 | 25 | 21 | 19 | 17 | 15 |
| | 60Hz | 570 | 360 | 180 | 120 | 90 | 72 | 60 | 45 | 40 | 36 | 30 | 25 | 23 | 20 | 18 |
| Output Torque (kg.m) | 50Hz | 0.7 | 1.2 | 2.4 | 3.6 | 4.8 | 6 | 7.3 | 9.3 | 10.9 | 11.6 | 13.9 | 16.2 | 18.4 | 20.7 | 23 |
| | 60Hz | 0.6 | 1 | 2 | 3 | 4 | 5 | 6 | 7.8 | 9.1 | 9.7 | 11.6 | 13.5 | 15.4 | 17.3 | 19.2 |

400W Horizontal AC Gear Motor Dimensions (Unit: mm)



| Gear Ratio | Shaft Diameter | A | D | E | F | G | H | J | K | L | M | X | Y | Z | S | P | Q | W | T | Weight (kg) |
|------------|----------------|-----|-----|-----|-----|-----|----|-------|----|----|-----|-----|-------|-----|----|----|----|----|----|-------------|
| 3~10 | 22 | 325 | 65 | 130 | 158 | 90 | 11 | 18.17 | 60 | 13 | 160 | 152 | 97.5 | 125 | 22 | 40 | 35 | 7 | 25 | 11.1 |
| 15~90 | 28 | 360 | 90 | 140 | 178 | 120 | 11 | 20.8 | 70 | 14 | 160 | 178 | 116 | 125 | 28 | 45 | 40 | 7 | 31 | 12.5 |
| 100~200 | 32 | 395 | 130 | 170 | 200 | 168 | 13 | 30.2 | 70 | 18 | 160 | 215 | 138.5 | 125 | 32 | 55 | 50 | 10 | 35 | 26 |

400W Vertical AC Gear Motor Dimensions (Unit: mm)



| Gear Ratio | Shaft Diameter | A | D | E | F | G | H | J | K | L | M | Y | Z | S | P | Q | W | T | Weight (kg) |
|------------|----------------|-----|-----|-----|-----|-----|----|-------|----|----|-----|-----|-----|----|----|----|----|----|-------------|
| 3~10 | 22 | 325 | 148 | 185 | 176 | 165 | 11 | 18.17 | 45 | 12 | 160 | 3.5 | 125 | 22 | 40 | 35 | 7 | 25 | 11.5 |
| 15~90 | 28 | 360 | 170 | 220 | 218 | 200 | 11 | 20.8 | 58 | 14 | 160 | 4 | 125 | 28 | 45 | 40 | 7 | 31 | 13 |
| 100~200 | 32 | 395 | 185 | 255 | 248 | 225 | 13 | 30 | 66 | 16 | 160 | 4 | 125 | 32 | 55 | 50 | 10 | 32 | 27 |