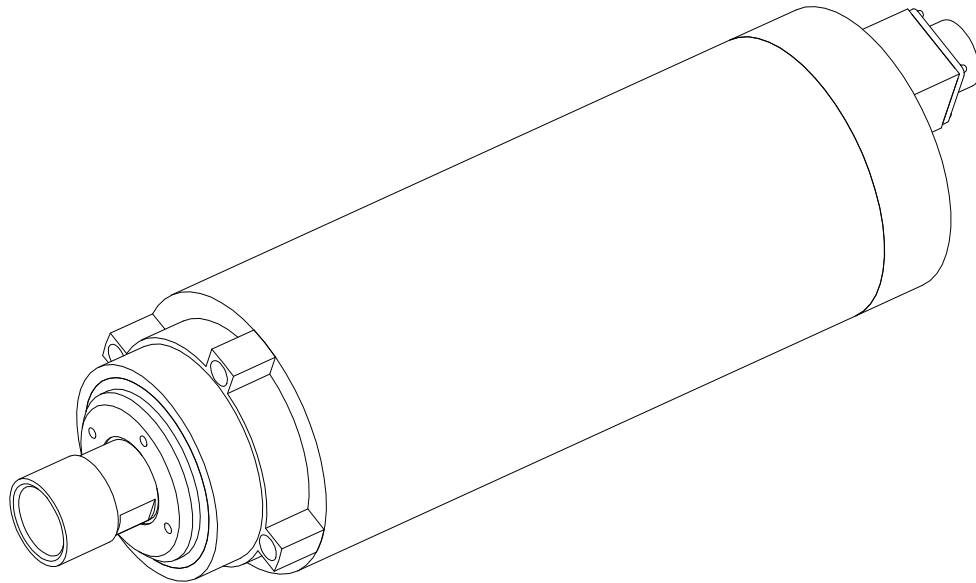
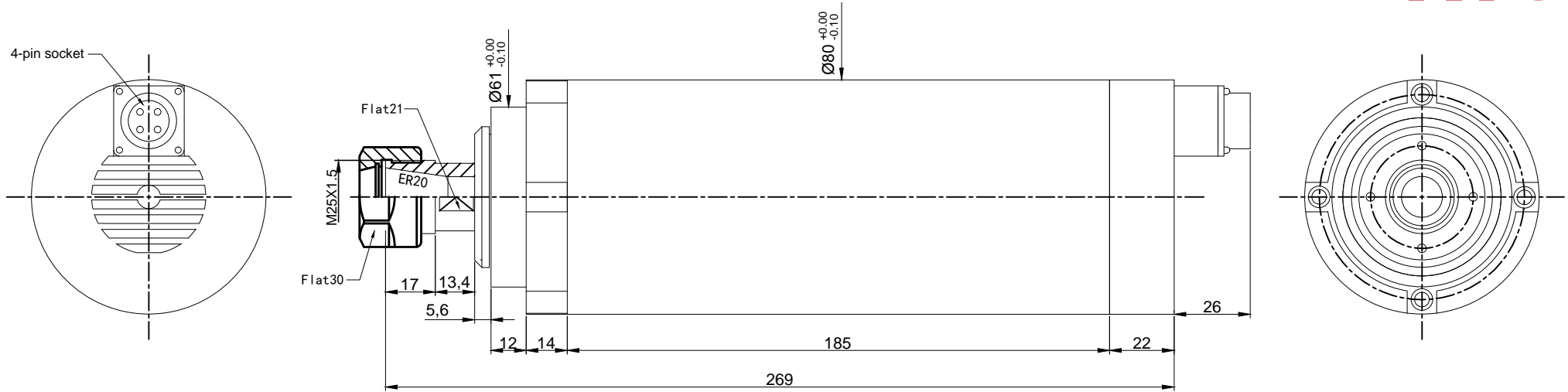



STF80-2.2-ER20

ATO



Wiring description

| Pin | 4-pin socket |
|-----|--|
| 1 | U frequency converter phase |
| 2 | V frequency converter phase |
| 3 | W frequency converter phase |
| 4 | Wring ground  |

【CAUTION】

Rotating mode: anticlockwise from the shaft extension end

ATO SPINDLE MOTOR

| Power | Voltage | Current | Shaft | Frequency | Speed | Cool | Weight |
|-------|---------|---------|-------|-----------|----------|------|--------|
| 2.2KW | 220V | 8.0A | ER20 | 400Hz | 24000RPM | Air | 4.8KG |