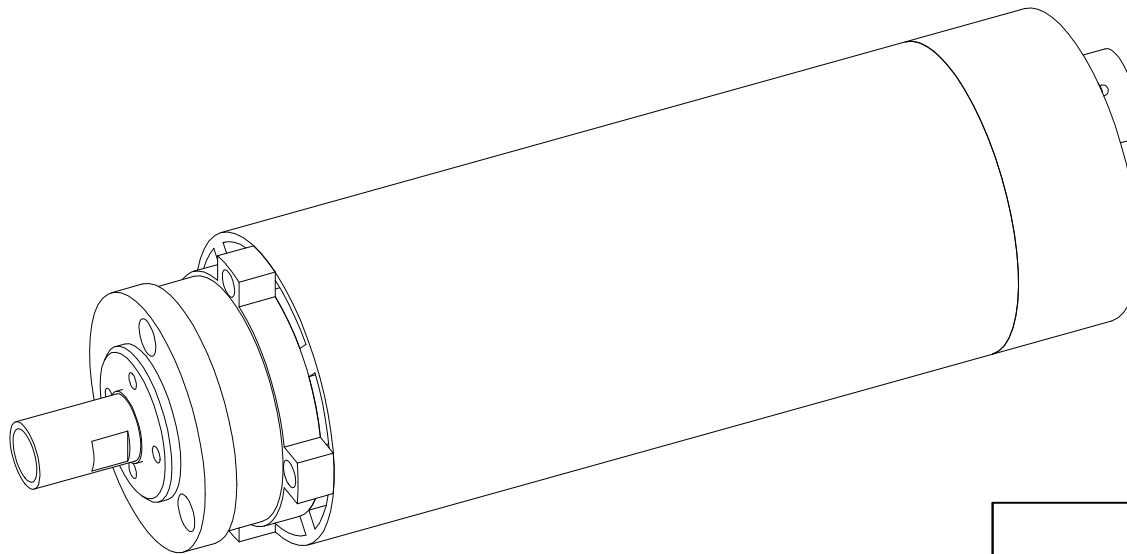
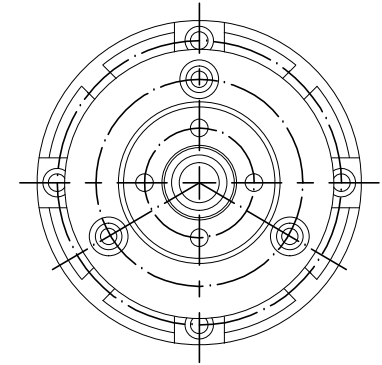
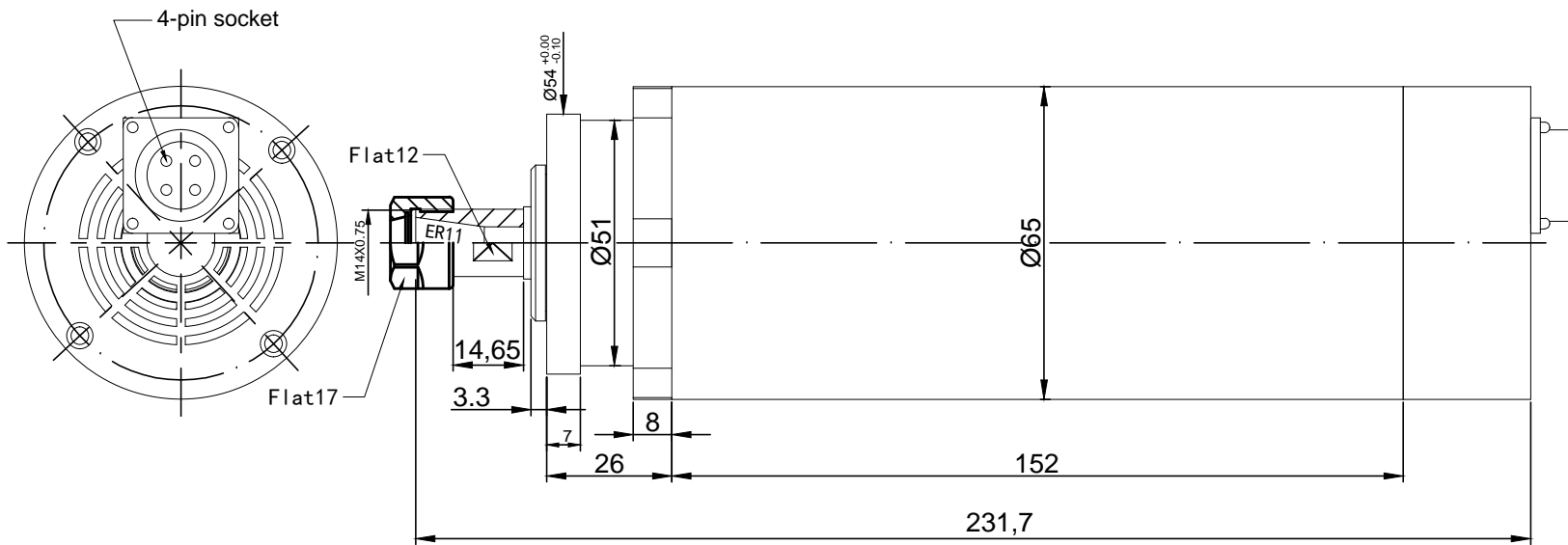



# STF65-0.8-ER11

**ATO**



### Wiring description

Pin	4-pin socket
1	U frequency converter phase
2	V frequency converter phase
3	W frequency converter phase
4	Wring ground 

### 【CAUTION】

Rotating mode: anticlockwise from the shaft extension end

## ATO SPINDLE MOTOR

Power	Voltage	Current	Shaft	Frequency	Speed	Cool	Weight
0.8KW	220V	2.5A	ER11	400Hz	24000RPM	Air	2.5KG