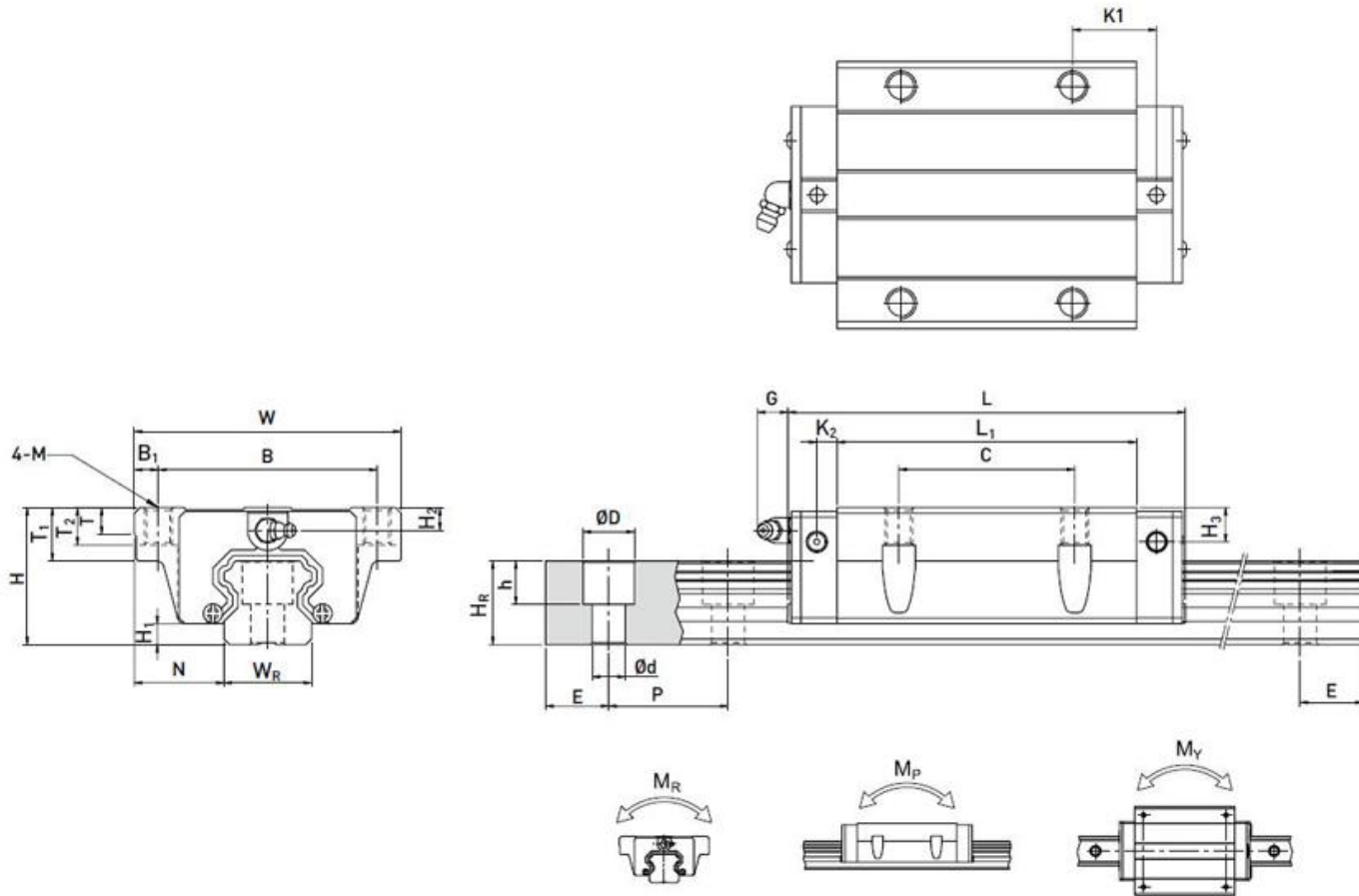


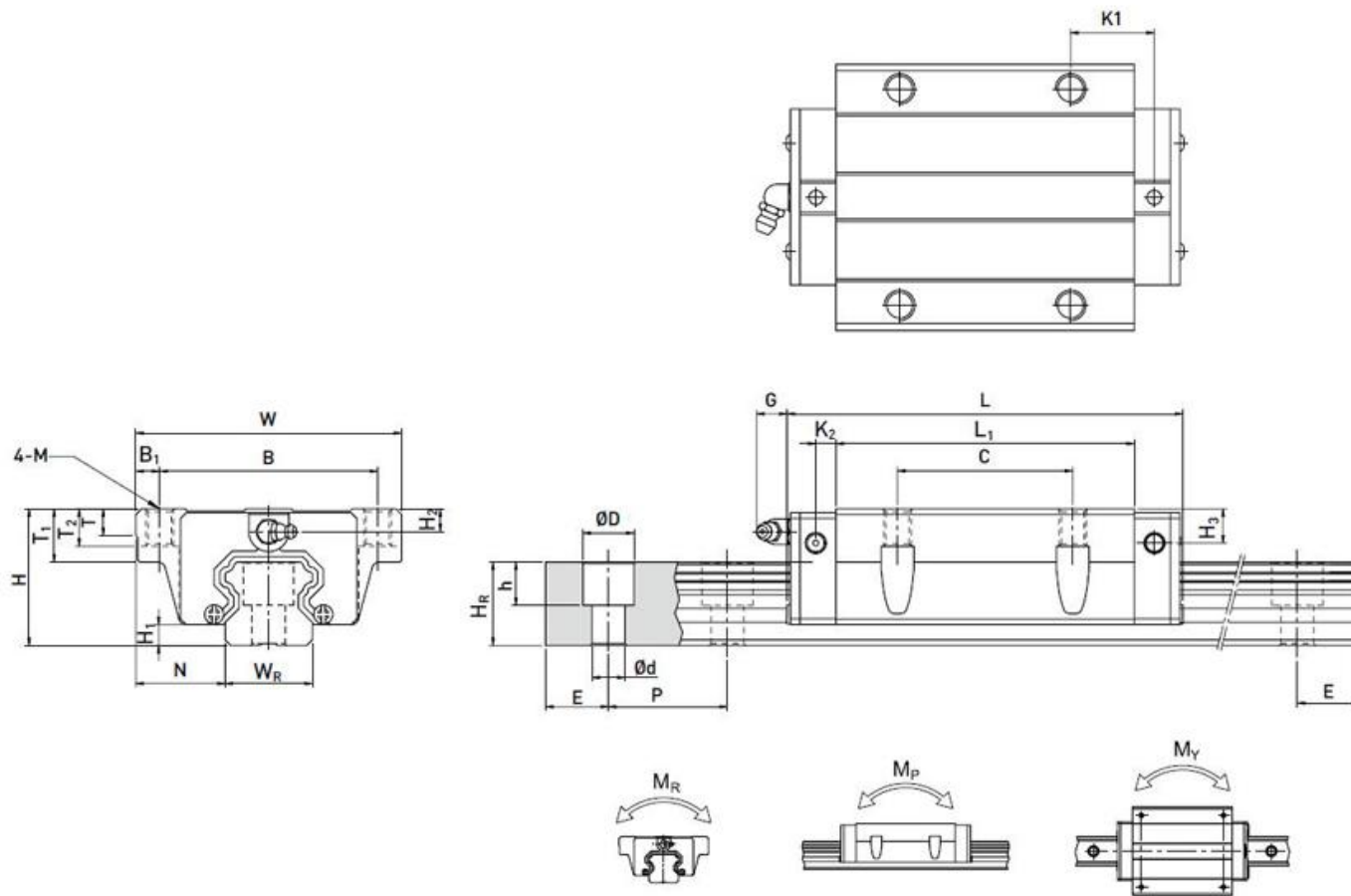
ATO Linear Rail with a Guide Block Dimensions (Unit: mm)



SKU	Dimensions of Assembly (mm)				Dimensions of Rail (mm)						
	H	H ₁	N	W _R	H _R	D	h	d	P	E	
ATO-LGB-15	24	4.3	16	15	15	7.5	5.3	4.5	60	20	
ATO-LGB-20	30	4.6	21.5	20	17.5	9.5	8.5	6	60	20	
ATO-LGB-25	36	5.5	23.5	23	22	11	9	7	60	20	
ATO-LGB-30	42	6	31	28	26	14	12	9	80	20	
ATO-LGB-35	48	7.5	33	34	29	14	12	9	80	20	
ATO-LGB-45	60	9.5	37.5	45	38	20	17	14	105	22.5	
ATO-LGB-55	70	13	43.5	53	44	23	20	19	120	30	

SKU	Dimensions of Block (mm)														
	W	B	B ₁	C	L ₁	L	K ₁	K ₂	G	M	T	T ₁	T ₂	H ₂	H ₃
ATO-LGB-15	47	38	4.5	30	39.4	61.4	8	4.85	5.3	M5	6	8.9	6.95	3.95	3.7
ATO-LGB-20	63	53	5	40	50.5	77.5	10.25	6	12	M6	8	10	9.5	6	6
ATO-LGB-25	70	57	6.5	45	58	84	10.7	6	12	M8	8	14	10	6	5
ATO-LGB-30	90	72	9	52	70	97.4	14.25	6	12	M10	8.5	16	10	6.5	10.8
ATO-LGB-35	100	92	9	62	80	112.4	14.6	7	12	M10	10.1	18	13	9	12.6
ATO-LGB-45	120	100	10	80	97	139.4	13	10	12.9	M12	15.1	22	15	8.5	20.5
ATO-LGB-55	140	116	12	95	117.7	166.7	17.35	11	12.9	M14	17.5	26.5	17	12	19

ATO Linear Rail with a Guide Block Dimensions (Unit: mm)



SKU	Mounting Bolt for Rail (mm)	Basic Dynamic Load Rating C(kN)	Basic Static Load Rating Co(kN)	Static Rated Moment			Weight	
				MR kN-m	MP kN-m	MY kN-m	Block (kg)	Rail kg/m
ATO-LGB-15	M4x16	14.7	23.47	0.12	0.1	0.1	0.17	1.45
ATO-LGB-20	M4x16	27.1	36.68	0.27	0.2	0.2	0.4	2.21
ATO-LGB-25	M4x20	34.9	52.82	0.42	0.33	0.33	0.59	3.21
ATO-LGB-30	M4x25	48.5	71.87	0.66	0.53	0.53	1.09	4.47
ATO-LGB-35	M4x25	64.6	93.88	1.16	0.81	0.81	1.56	6.30
ATO-LGB-45	M4x35	103.8	146.71	1.98	1.55	1.55	2.79	10.41
ATO-LGB-55	M4x65	153.2	211.23	3.69	2.64	2.64	4.52	15.08