

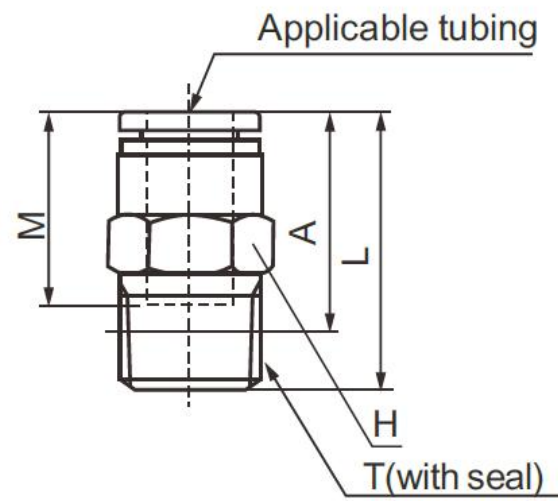
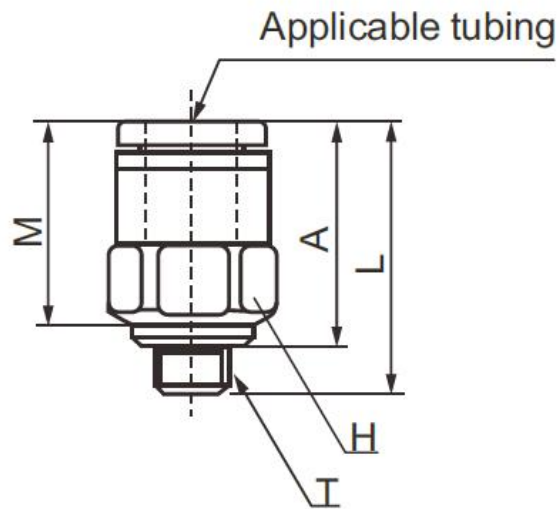
## Garden Hose Quick Connect, Male Connector, M Type

SKU: ATO-QC-M01

Dimensions (unit: mm)

<M3, M5, M6>

<R1/8>

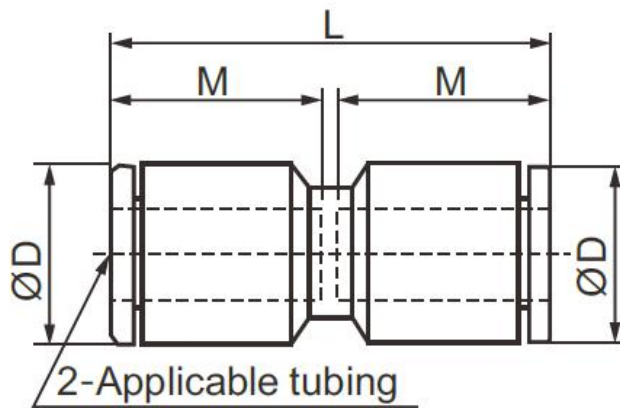


Applicable tubing O.D. (mm)	Model	Connection thread T	H (Width across flats)	L	A	M	Effective area (mm)	
							Nylon	Urethane
Φ3	ATO-KJH03-M3	M3×0.5	7	16.4	13.8	12.8	0.9	0.9
	ATO-KJH03-M5	M5×0.8		16.9	13.7		3	2.5
	ATO-KJH03-M6	M6×1.0	8	17.6	13.7			
	ATO-KJH03-01S	R1/8	10	13.9	9.9			
Φ3.2	ATO-KJH23-M3	M3×0.5	7	16.4	13.8	12.8	0.9	0.9
	ATO-KJH23-M5	M5×0.8		16.9	13.7		3	2.5
	ATO-KJH23-M6	M6×1.0	8	17.6	13.7			
	ATO-KJH23-01S	R1/8	10	13.9	9.9			
Φ4	ATO-KJH04-M3	M3×0.5	8	16.4	13.8	12.8	0.9	0.9
	ATO-KJH04-M5	M5×0.8		17.1	14		4	4
	ATO-KJH04-M6	M6×1.0		17.8	14			
	ATO-KJH04-01S	R1/8	10	14.9	10.9			
Φ6	ATO-KJH06-M5	M5×0.8	10	17.9	14.8	13.6	10	10
	ATO-KJH06-M6	M6×1.0		18.6	14.8			
	ATO-KJH06-01S	R1/8		19.5	15.5			

## Water Hose Quick Connector, Intubation Type

SKU: ATO-QC-I01

Dimensions (unit: mm)



Applicable tubing O.D. (mm)		Model	ØD		L	M		Effective area (mm)		Weight
①	②		1	2		1	2	Nylon	Urethane	
Ø3		ATO-KJH03-00	8.4		24.6	12.8		3	2.5	1.4
Ø3.2		ATO-KJH23-00	8.4			12.8		4	4	1.4
Ø4		ATO-KJH04-00	9.3			13.6		10	10	1.7
Ø6		ATO-KJH06-00	11.6		28	13.6		10	10	2.5
Ø3	Ø4	ATO-KJH03-04	8.4	9.3	24.6	12.8	12.8	3	2.5	1.6
Ø3.2	Ø4	ATO-KJH23-04								1.6
Ø4	Ø6	ATO-KJH04-06	9.3	11.6	27.6	13.6	4	4	2.2	

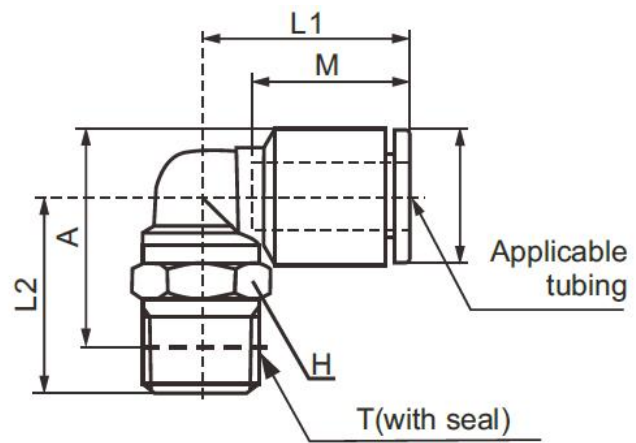
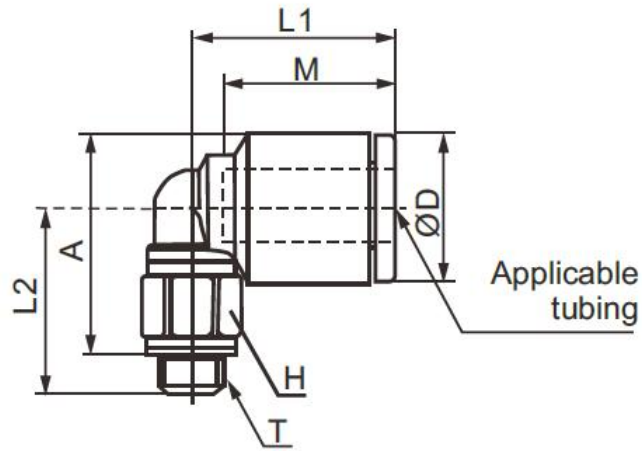
## Hose Quick Connector, M Type

SKU: ATO-QC-M02

Dimensions (unit: mm)

<M3, M5, M6>

<R1/8>

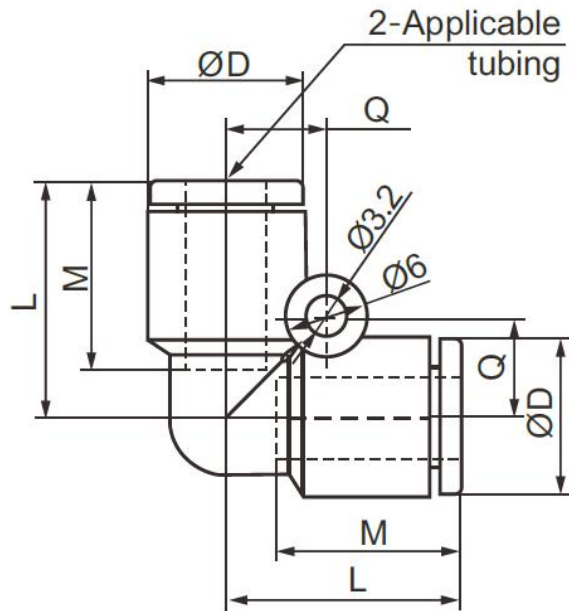


Applicable tubing O.D. (mm)	Model	Connection thread T	H (Width across flats)	L	A	M	Effective area (mm)	
							Nylon	Urethane
Φ3	ATO-KJL03-M3	M3×0.5	7	16.4	13.8	12.8	0.9	0.9
	ATO-KJL03-M5	M5×0.8		16.9	13.7		3	2.5
	ATO-KJL03-M6	M6×1.0	8	17.6	13.7			
	ATO-KJL03-01S	R1/8	10	13.9	9.9			
Φ3.2	ATO-KJL23-M3	M3×0.5	7	16.4	13.8	12.8	0.9	0.9
	ATO-KJL23-M5	M5×0.8		16.9	13.7		3	2.5
	ATO-KJL23-M6	M6×1.0	8	17.6	13.7			
	ATO-KJL23-01S	R1/8	10	13.9	9.9			
Φ4	ATO-KJL04-M3	M3×0.5	8	16.4	13.8	12.8	0.9	0.9
	ATO-KJL04-M5	M5×0.8		17.1	14		4	4
	ATO-KJL04-M6	M6×1.0		17.8	14			
	ATO-KJL04-01S	R1/8	10	14.9	10.9			
Φ6	ATO-KJL06-M5	M5×0.8	10	17.9	14.8	13.6	10	10
	ATO-KJL06-M6	M6×1.0		18.6	14.8			
	ATO-KJL06-01S	R1/8		19.5	15.5			

### Air Hose Quick Connector, Intubation Type

SKU: ATO-QC-I02

Dimensions (unit: mm)



Applicable tubing O.D. (mm)	Model	ØD	L	A	M	Effective area (mm)		Weight (g)
						Nylon	Urethane	
Φ3	ATO-KJL03-00	8.4	15.1	5.9	12.8	2.6	2.2	1.6
Φ3.2	ATO-KJL23-00							1.7
Φ4	ATO-KJL04-00	9.3	15.9	6.4		3.5	3.5	2
Φ6	ATO-KJL06-00	11.6	17.2	7.4	13.6	9	9	3.1

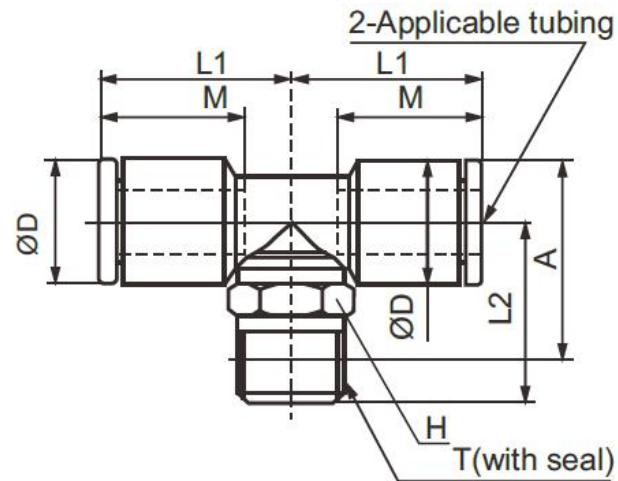
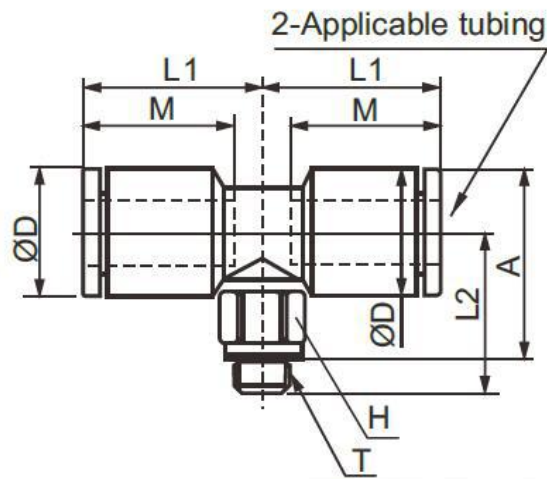
## Water Hose Quick Connector, M Type

SKU: ATO-QC-M03

Dimensions (unit: mm)

<M3, M5, M6>

<R1/8>

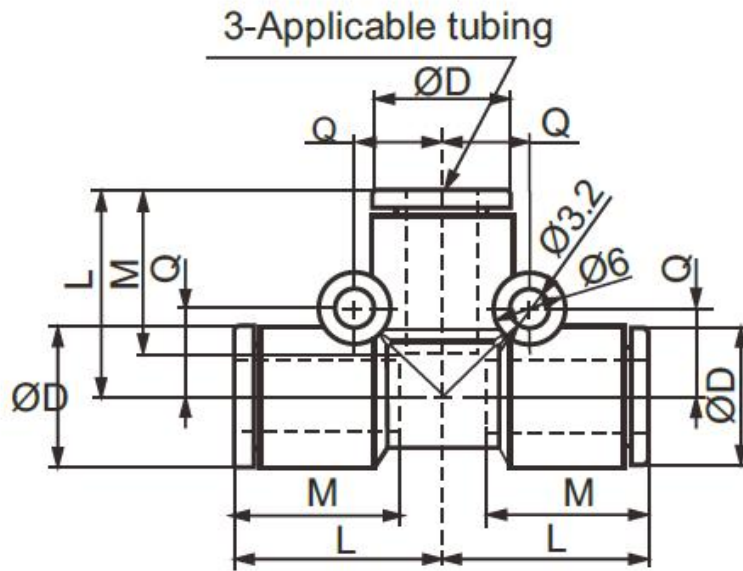


Applicable tubing O.D. (mm)	Model	Connection thread T	H (Width across flats)	L1	L	A	M	ØD	Effective area (mm)				
									Nylon	Urethane			
Φ3	ATO-KJT03-M3	M3×0.5	7	15.4	16.4	13.8	12.8	8.4	0.9	0.9			
	ATO-KJT03-M5	M5×0.8			16.9	13.7			3	2.5			
	ATO-KJT03-M6	M6×1.0	8		17.6	13.7							
	ATO-KJT03-01S	R1/8	10		13.9	9.9							
Φ3.2	ATO-KJT23-M3	M3×0.5	7		15.4	16.4			13.8	12.8	8.4	0.9	0.9
	ATO-KJT23-M5	M5×0.8				16.9			13.7			3	2.5
	ATO-KJT23-M6	M6×1.0	8			17.6			13.7				
	ATO-KJT23-01S	R1/8	10			13.9			9.9				
Φ4	ATO-KJT04-M3	M3×0.5	7	15.7		16.4	13.8	12.8	9.3			0.9	0.9
	ATO-KJT04-M5	M5×0.8				17.1	14					4	4
	ATO-KJT04-M6	M6×1.0	8			17.8	14						
	ATO-KJT04-01S	R1/8	10			14.9	10.9						
Φ6	ATO-KJT06-M5	M5×0.8	7		16.2	17.9	14.8			13.6	11.6	10	10
	ATO-KJT06-M6	M6×1.0	8			18.6	14.8						
	ATO-KJT06-01S	R1/8	10			17.9	19.5						

### Hose Quick Connector, Intubation Type

SKU: ATO-QC-I03

Dimensions (unit: mm)



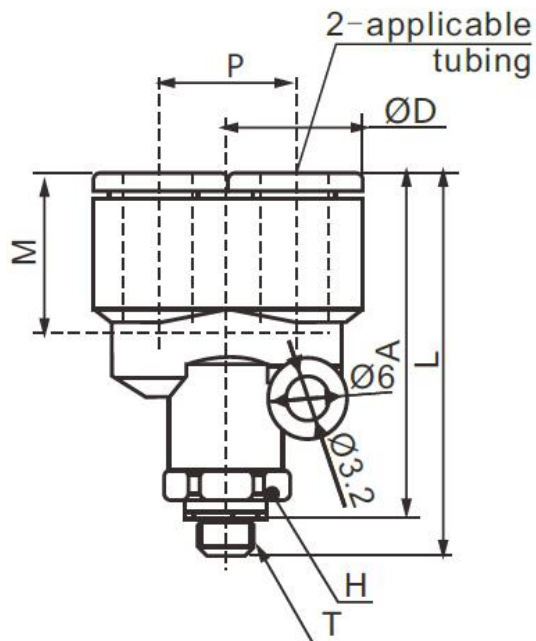
Applicable tubing O.D. (mm)	Model	ØD	L	A	M	Effective area (mm)		Weight (g)
						Nylon	Urethane	
Ø3	ATO-KJT03-00	8.4	15.1	5.9	12.8	3.2	2.7	2.5
Ø3.2	ATO-KJT23-00					5.6		
Ø4	ATO-KJT04-00	9.3	15.9	6.4		4.5	4.5	3
Ø6	ATO-KJT06-00	11.6	17.2	7.4	13.6	11	11	4.6

## Air Line Quick Connector, M Type

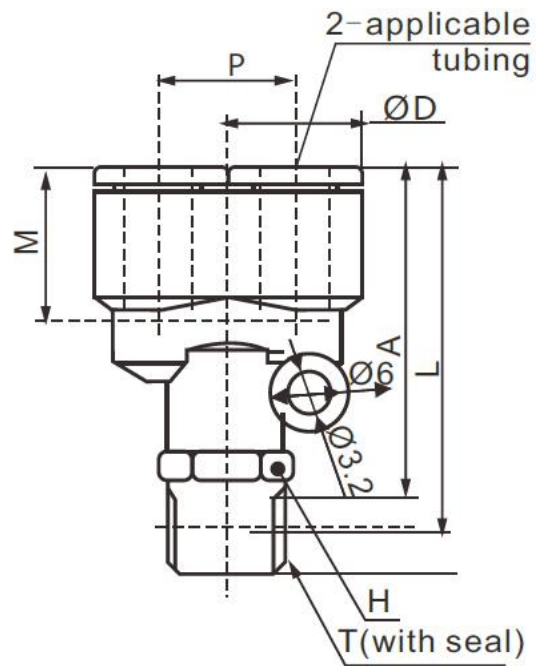
SKU: ATO-QC-M04

Dimensions (unit: mm)

<M5>



<R1/8>

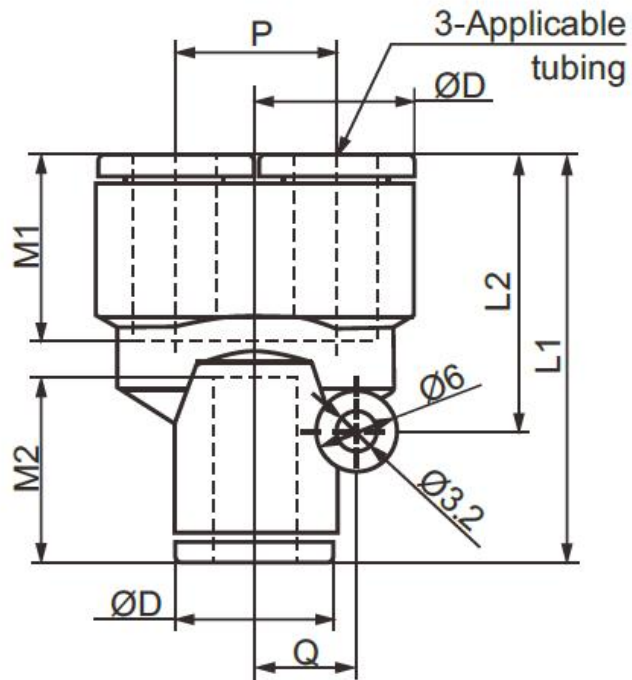


Applicable tubing O.D. (mm)	Model	Connection thread T	H (Width across flats)	P	L	A	ØD	M	Effective area (mm)		Weight (g)
									Nylon	Urethane	
Ø4	ATO-KJU04-M5	M5×0.8	10	9.3	34.4	31.3	9.3	12.7	2.2	2.2	6.8
	ATO-KJU04-01S	R1/8			38	34			4.5	4.5	9.2
Ø6	ATO-KJU06-M5	M5×0.8	12	11.6	33.4	30.3	11.6	13.5	2.2	4.5	9.4
	ATO-KJU06-01S	R1/8			37.7	33.7			11	11	11.6

Quick Connector for Water/Air, Intubation Type

SKU: ATO-QC-I04

Dimensions (unit: mm)



Applicable tubing O.D. (mm)		Model	ØD		L1	L2	P	B	M		Effective area (mm)		Weight
①	②		1	2					1	2	Nylon	Urethane	
Ø3		ATO-KJU03-00	8.4		28.5	19	8.4	5.8	12.8		3.2	2.7	2.6
Ø3.2		ATO-KJU23-00	8.4		28.5	19	8.4	5.8	12.8		3.2	2.7	2.8
Ø4		ATO-KJU04-00	9.3		27.9	18.3	9.3	6.3	13.6		4.5	4.5	3
Ø6		ATO-KJU06-00	11.6		31.2	21.6	11.6	7.3	13.6		11	11	4.7
Ø3	Ø4	ATO-KJU03-04	8.4	9.3	27.5	18.3	8.4	6.3	12.8	12.8	4.5	4.5	2.7
Ø3.2	Ø4	ATO-KJU23-04	8.4	9.3	27.5	18.3	8.4	6.3					2.9
Ø4	Ø6	ATO-KJU04-06	9.3	11.6	29.2	19.3	9.3	7.3	13.6	13.6	8	8	3.7



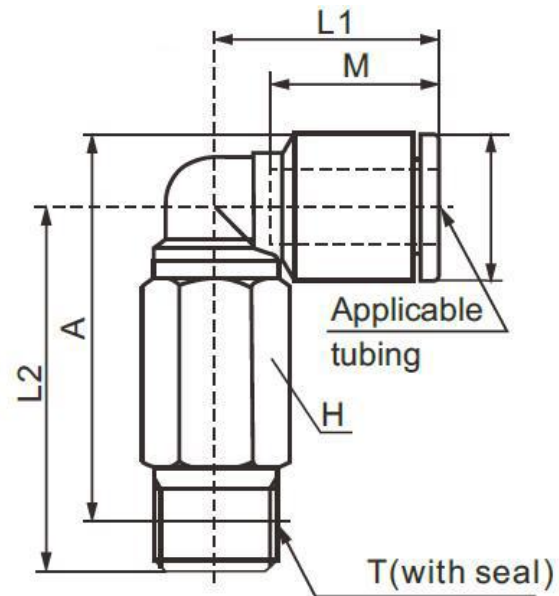
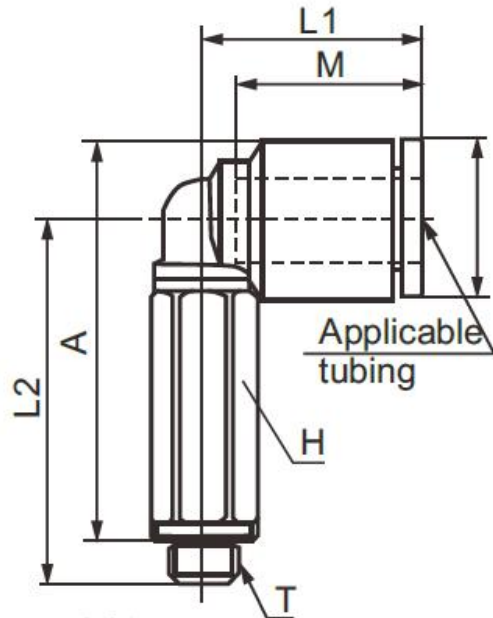
## Air Hose Quick Connector, M Type

SKU: ATO-QC-M05

Dimensions (unit: mm)

<M3, M5, M6>

<R1/8>

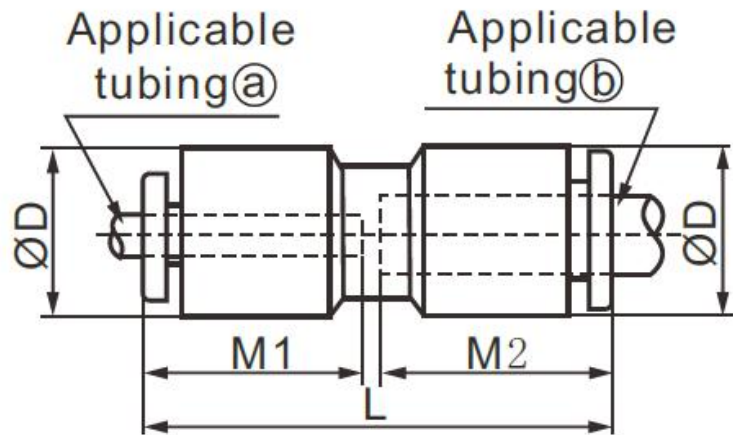


Applicable tubing O.D. (mm)	Model	Connection thread T	H (Width across flats)	L1	L2	A	M	ØD	Effective area (mm)			
									Nylon	Urethane		
Φ3	ATO-KJW03-M3	M3×0.5	7	15.4	22.5	24.2	12.8	8.4	0.8	0.8		
	ATO-KJW03-M5	M5×0.8			22.6	26.4			2.6	2.2		
	ATO-KJW03-M6	M6×1.0	23.1		26.6	0.8					0.8	
	ATO-KJW03-01S	R1/8	25.3		25.5				2.6	2.2		
Φ3.2	ATO-KJW23-M3	M3×0.5	7	22.5	24.2	12.8	8.4	0.8			0.8	
	ATO-KJW23-M5	M5×0.8		22.6	26.4			2.6			2.2	
	ATO-KJW23-M6	M6×1.0	23.1	26.6	0.8							0.8
	ATO-KJW23-01S	R1/8	25.3	25.5				3.5	3.5			
Φ4	ATO-KJW04-M3	M3×0.5	7	15.7	23.1	25.2	12.8			9.3	0.8	0.8
	ATO-KJW04-M5	M5×0.8			25.7	27.4					3.5	3.5
	ATO-KJW04-M6	M6×1.0	26.3		27.6	0.8						
	ATO-KJW04-01S	R1/8	25.7		26.4			9	9			
Φ6	ATO-KJW06-M5	M5×0.8	7	16.2	26.8	29.4	13.6			11.6	9	9
	ATO-KJW06-M6	M6×1.0	8		27.2	29.6						
	ATO-KJW06-01S	R1/8	10		17.9	28.8						

### Garden Hose Quick Connector, Intubation Type

SKU: ATO-QC-I05

Dimensions (unit: mm)

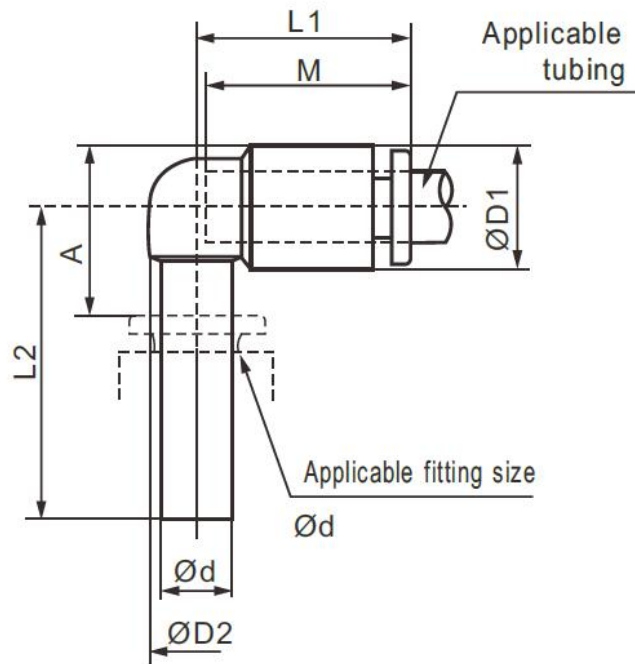


Applicable tubing O.D. (mm)		Model	ØD	L	M1	M	Effective area (mm)		Weight (g)
a	b						Nylon	Urethane	
Ø4		ATO-KQ2H04-00	10.4	32.5	16		5.6	4	3
Ø6		ATO-KQ2H06-00	12.8	34.5	17		13.1	10.4	4
Ø8		ATO-KQ2H08-00	15.2	38.5	18.5		26.1	18	6
Ø10		ATO-KQ2H10-00	18.5	42.5	21		41.5	29.5	11
Ø12		ATO-KQ2H12-00	20.9	44.5	22		58.3	46.1	14
Ø16		ATO-KQ2H16-00	26.5	51	25		113	96	24
Ø4	Ø6	ATO-KQ2H04-06	12.8	34.5	16	17	5.6	5.6	5
Ø6	Ø8	ATO-KQ2H06-08	15.2	38.5	17	18.5	13.1	10.4	6
Ø8	Ø10	ATO-KQ2H08-10	18.5	42	18.5	21	26.1	18	11
Ø10	Ø12	ATO-KQ2H10-12	20.9	44.5	21	22	41.5	29.5	14
Ø12	Ø16	ATO-KQ2H12-16	26.5	56.5	22	25	58.3	46.1	47

## Water Line Quick Connector, Intubation Type

SKU: ATO-QC-I06

Dimensions (unit: mm)



Applicable tubing O.D. (mm)	Applicable fitting size $\varnothing d$	Model	$\varnothing D1$	$\varnothing D2$	L1	L2	A	M	Effective area (mm <sup>2</sup> )		Weight (g)
									Nylon	Urethane	
$\varnothing 4$	$\varnothing 6$	ATO-KQ2L04-06	10.4	8	18	33	21.5	16	4.2	4.2	13
	$\varnothing 8$	ATO-KQ2L04-08		10		42					29
$\varnothing 6$	$\varnothing 8$	ATO-KQ2L06-08	12.8	10	19.5	37.5	25	17	11.4	9	22
	$\varnothing 10$	ATO-KQ2L06-10			20	45.5					31
$\varnothing 8$	$\varnothing 10$	ATO-KQ2L08-10	15.2	12	22.5	41.5	28.5	18.5	21.6	14.9	30
	$\varnothing 12$	ATO-KQ2L08-12			23	48.5					34
$\varnothing 10$	$\varnothing 12$	ATO-KQ2L10-12	18.5	17	26.5	52	39.5	21	35.2	25	39
$\varnothing 12$	$\varnothing 16$	ATO-KQ2L12-16	20.9	17	28.5	59.5	44.5	22	50.2	39.7	63