

3002006 Series Two Passages Rotary Unions



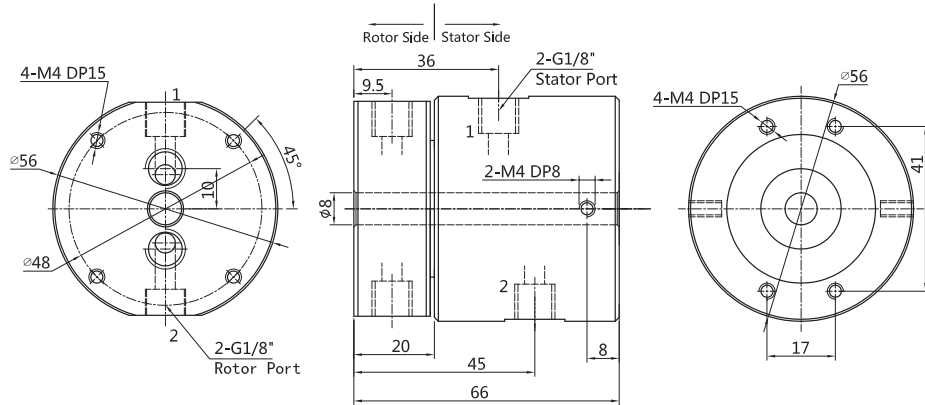
2 Passage(G1/8" port,6~8mm pipes)+Electrical(Power/Signal)

support G1/8" port for 6~8mm pipes,can transfer various mediums including compressed air,steam,vacuum,negative pressure,positive pressure,cooling water,hot oil,etc when 360° rotating , it also can combine to transmit electrical power and signal.

Part No. Description

3002006 - Power Circuits - Signal Circuits	
2 Passage Rotary Unions G1/8" port ,6mm pipes	For example: 06S:6 circuits signal@2A 12S:12 circuits signal@2A
For example: 0610:6 circuits@10A 1230:12 circuits@30A	

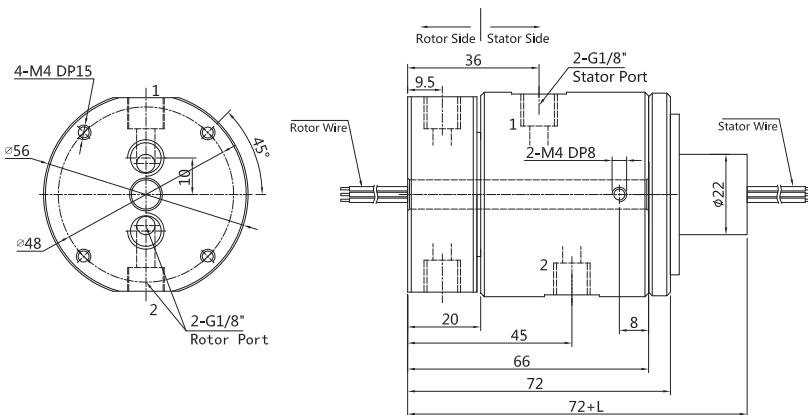
3002006 (Rotary Union Only) Drawing,2 Passage(6~8mm pipe)



Standard Model List

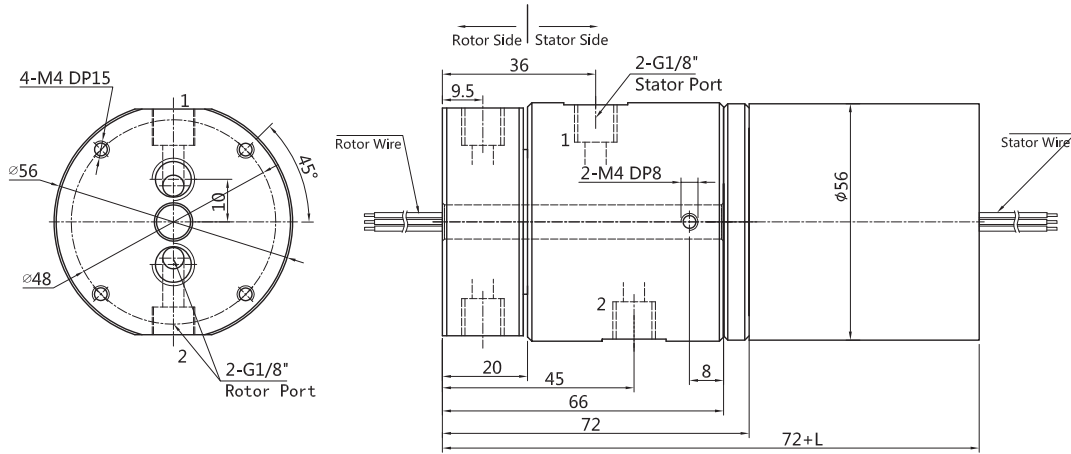
Model	Passages(Gas/Flow)	Port Size	Pipe Size
3002006	2	G1/8"	6~8mm

3002006-X4S 2 Passage(6~8mm pipe) +6~56 circuits electrical signal@2A (Suitable for Solenoid valve or Sensor switch Signals)



Standard Model List

Model	Passages(Gas/Flow)	Port Size	Pipe Size	Signal Circuits(2A)	Length L(mm)
3002006-06	2	G1/8"	6~8mm	6	14
3002006-12	2	G1/8"	6~8mm	12	21
3002006-24S	2	G1/8"	6~8mm	24	35
3002006-36S	2	G1/8"	6~8mm	36	52.3
3002006-56S	2	G1/8"	6~8mm	56	82



Standard Model List

Model	Passages	Port Size	Pipe Size	Circuits		Length L(mm)
				Power(10A)	Signal(2A)	
3002006-06S	2	G1/8"	6~8mm	0	6	38
3002006-0610	2	G1/8"	6~8mm	6	0	38
3002006-12S	2	G1/8"	6~8mm	0	12	55
3002006-0610-06S	2	G1/8"	6~8mm	6	6	55
3002006-1210	2	G1/8"	6~8mm	12	0	55
3002006-0610-12S	2	G1/8"	6~8mm	6	12	71.5
3002006-1210-06S	2	G1/8"	6~8mm	12	6	71.5
3002006-18S	2	G1/8"	6~8mm	0	18	71.5
3002006-1810	2	G1/8"	6~8mm	18	0	71.5
3002006-0610-18S	2	G1/8"	6~8mm	6	18	88.5
3002006-24S	2	G1/8"	6~8mm	0	24	88.5
3002006-30S	2	G1/8"	6~8mm	0	30	106
3002006-36S	2	G1/8"	6~8mm	0	36	125

Technical Specification

Rotary Union Specification			
Passages	2 Passage	Max. Pressure	1Mpa, Vacuum -1.5kPa
Pipe size	6~8mm Pipe(G1/8")	torque	<0.2N.m
Mechanical parameters		Electrical parameters	
Spec.	Data	Spec.	Data
Working Life	20millions for ref (depends on working conditions)	Voltage Range	Power
			Signal
Max. Speed	250RPM continously, 1000RPM intermittently	Insulation Resistance	<500MΩ/300VDC
			Lead Wire Spec.
Working Temp.	-30°C~80°C	Lead Wire Length	
			standard 250mm(can be customized)
Work Humidity	0~85% RH	Lead Wire Length	standard 250mm(can be customized)
Contact Material	precious metal	Insulation Resistance	500VAC@50Hz,6s
Housing Material	aluminum alloy	Electrical Noise	<0.01Ω
IP Grade	IP51		