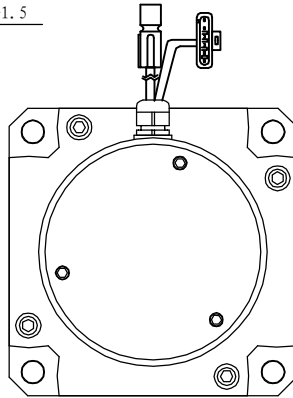
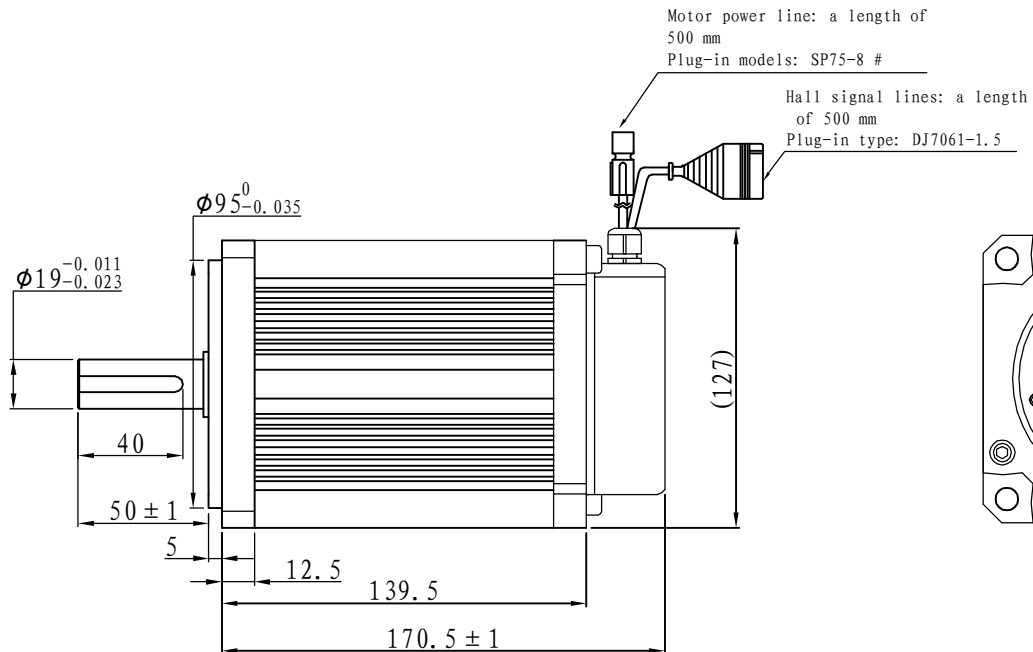
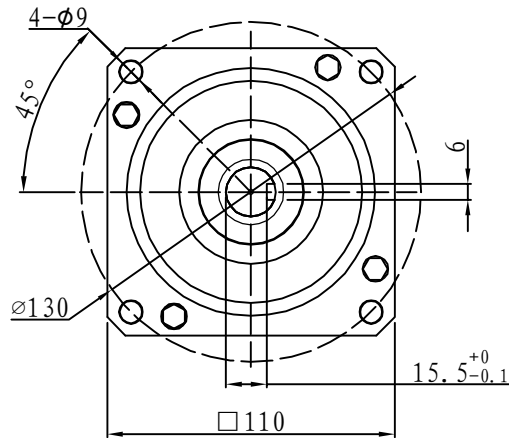
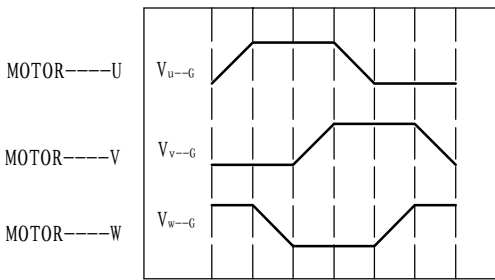
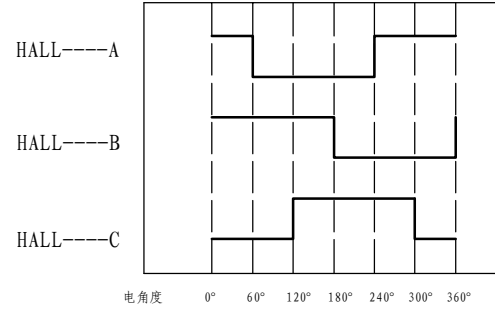


## Demension



## Motor to Hall Relationship



PHASE TO GROUND VOLTAGE  
ROTATION CW FROM THE FLANGE

## Line Define

### Power Wire

Red	Motor U
Yellow	Motor V
Blue	Motor W

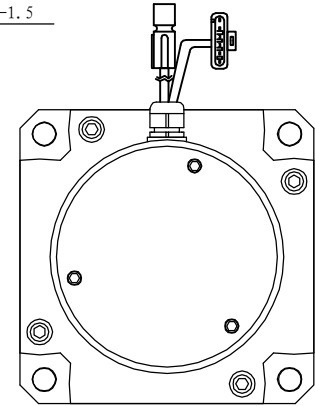
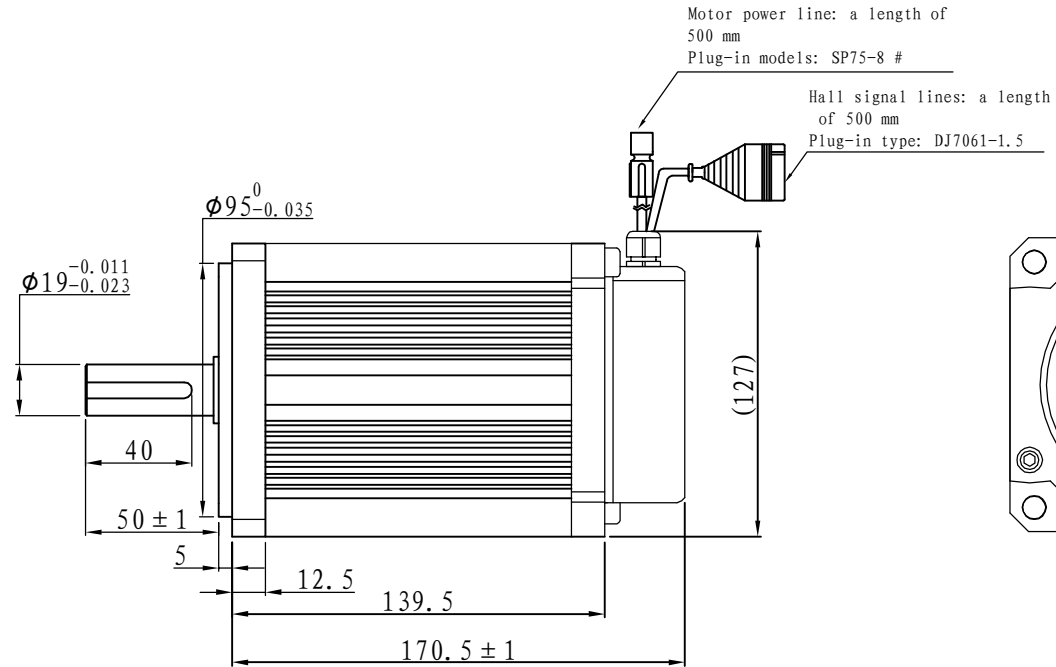
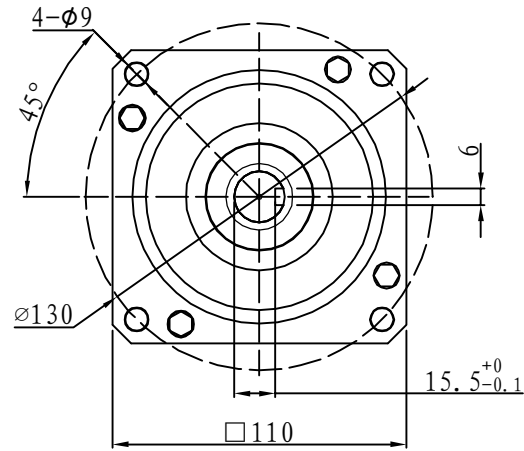
### Feedback Wire

Hall line colour	Hall signal definition	Plug serial number
Orange and black	5V	1
Orange	0V	2
Yellow	Hall A	4
Blue	Hall B	5
Green	Hall C	6

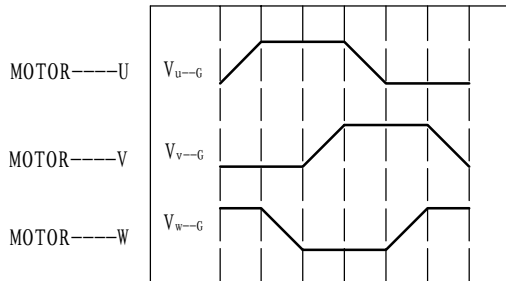
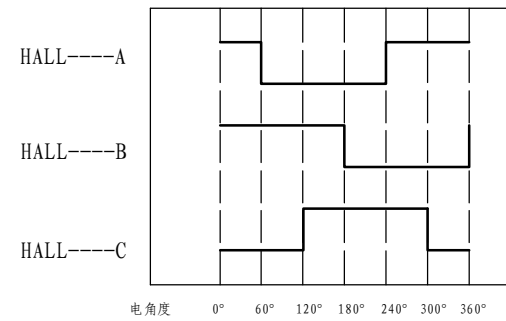
## Tecnical Data

Type	110WD-M04010-24V
Power (KW)	0.4
Rated voltage (V)	24
Rated current (A)	21.8
Rated speed (rpm)	1000
Rated torque (NM)	4
Rotor inertia (KgcM2)	6.5
Protection rank	IP65
Insulation rank	F
Appropriate environment	Temperature: 0 ~ 50°C Humidity: <90% (No dewdrop)
Motor weight (KG)	5.65

## Demension



## Motor to Hall Relationship



PHASE TO GROUND VOLTAGE  
ROTATION CW FROM THE FLANGE

## Line Define

### Power Wire

Red	Motor U
Yellow	Motor V
Blue	Motor W

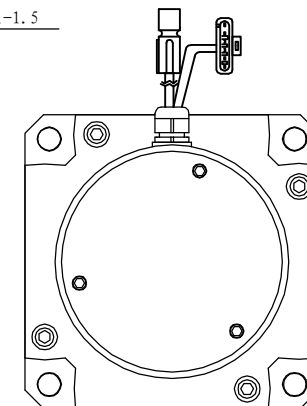
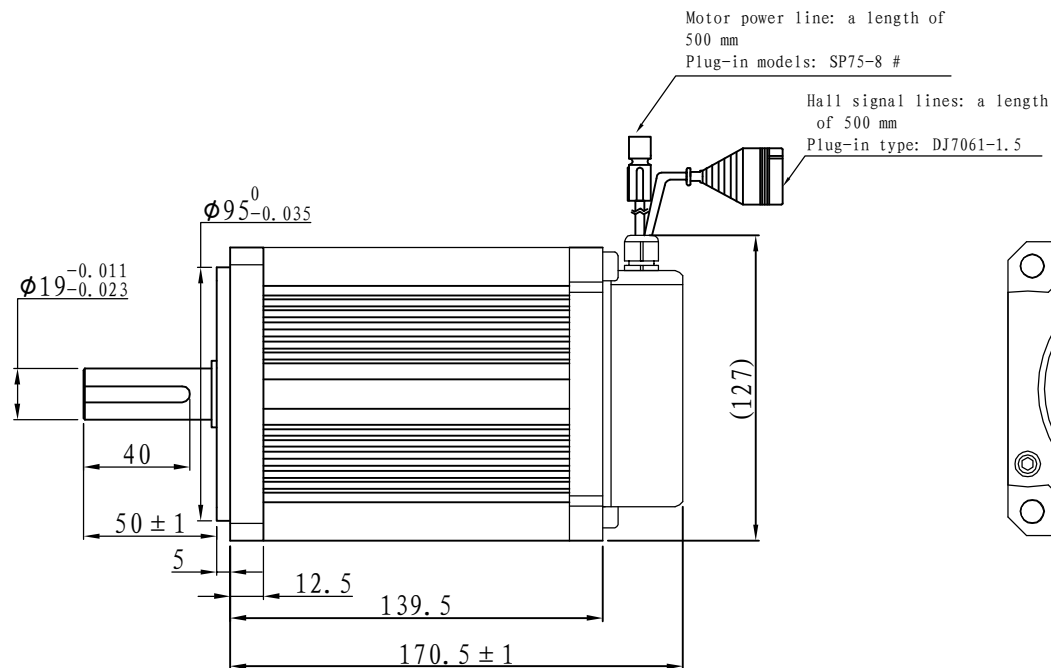
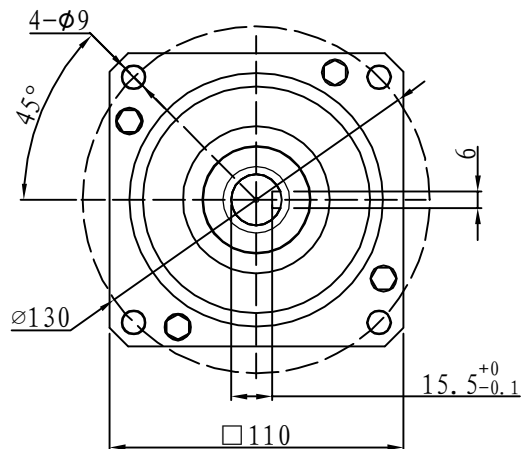
### Feedback Wire

Hall line colour	Hall signal definition	Plug serial number
Orange and black	5V	1
Orange	0V	2
Yellow	Hall A	3
Blue	Hall B	4
Green	Hall C	5

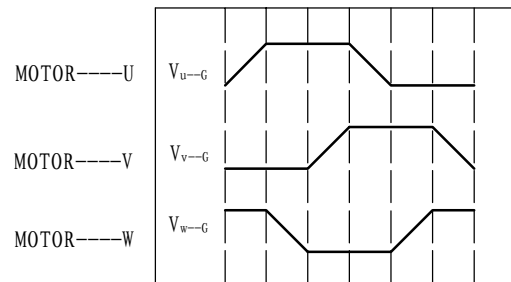
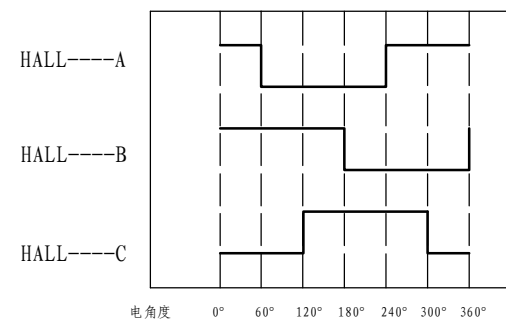
## Tecnichal Data

Type	110WD-M04010-48V
Power (KW)	0.4
Rated voltage (V)	48
Rated current (A)	10.9
Rated speed (rpm)	1000
Rated torque (NM)	4
Rotor inertia (Kgc <sup>m2</sup> )	6.5
Protection rank	IP65
Insulation rank	F
Appropriate environment	Temperature: 0 ~ 50°C Humidity: < 90% (No dewdrop)
Motor weight (KG)	5.65

## Demension



## Motor to Hall Relationship



PHASE TO GROUND VOLTAGE  
ROTATION CW FROM THE FLANGE

## Line Define

### Power Wire

Red	Motor U
Yellow	Motor V
Blue	Motor W

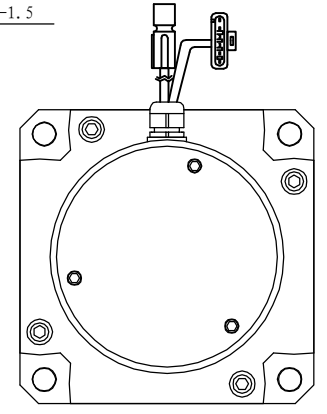
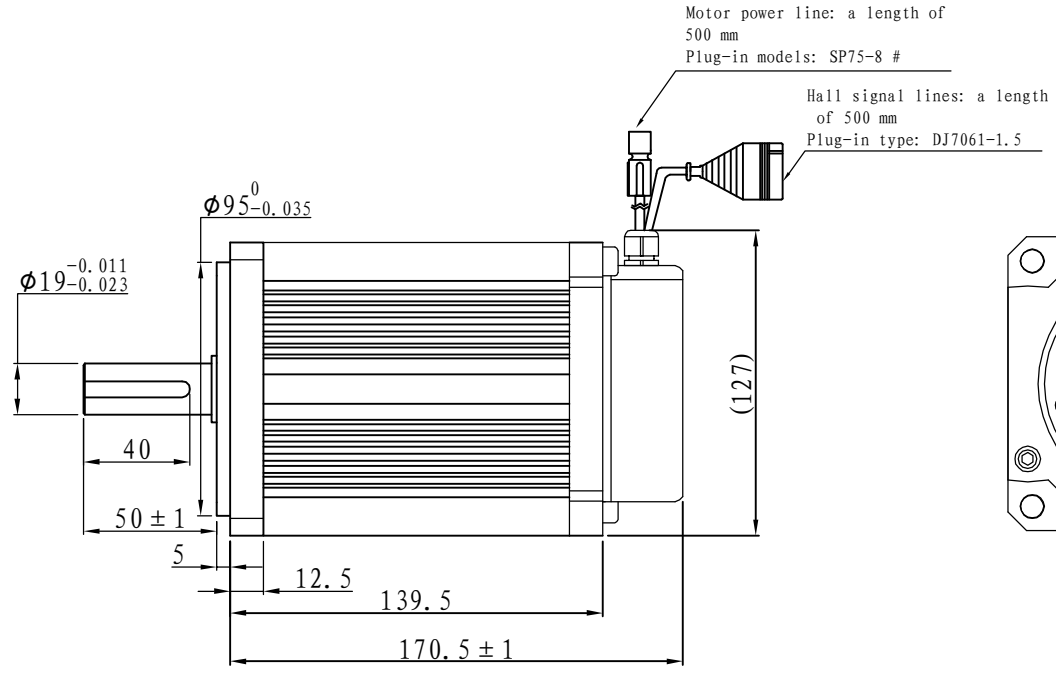
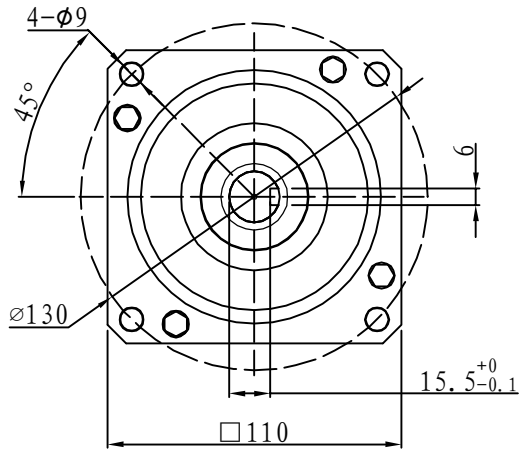
### Feedback Wire

Hall line colour	Hall signal definition	Plug serial number
Orange and black	5V	1
Orange	0V	2
Yellow	Hall A	3
Blue	Hall B	4
Green	Hall C	5

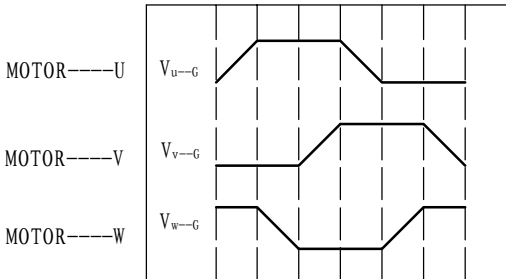
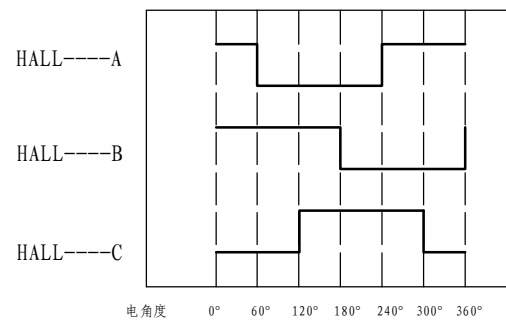
## Tecnichal Data

Type	110WD-M04010-72V
Power (KW)	0.4
Rated voltage (V)	72
Rated current (A)	7.3
Rated speed (rpm)	1000
Rated torque (NM)	4
Rotor inertia (Kgc <sup>m2</sup> )	6.5
Protection rank	IP65
Insulation rank	F
Appropriate environment	<b>Temperature: 0 ~ 50°C</b> <b>Humidity: &lt; 90%</b> <b>(No dewdrop)</b>
Motor weight (KG)	5.65

## Demension



## Motor to Hall Relationship



PHASE TO GROUND VOLTAGE  
ROTATION CW FROM THE FLANGE

## Line Define

### Power Wire

Red	Motor U
Yellow	Motor V
Blue	Motor W

### Feedback Wire

Hall line colour	Hall signal definition	Plug serial number
Orange and black	5V	1
Orange	0V	2
Yellow	Hall A	3
Blue	Hall B	4
Green	Hall C	5

## Tecnichal Data

Type	110WD-M04010-96V
Power (KW)	0.4
Rated voltage (V)	96
Rated current (A)	5.5
Rated speed (rpm)	1000
Rated torque (NM)	4
Rotor inertia (Kgcm <sup>2</sup> )	6.5
Protection rank	IP65
Insulation rank	F
Appropriate environment	<b>Temperature: 0 ~ 50°C</b> <b>Humidity: &lt; 90%</b> <b>(No dewdrop)</b>
Motor weight (KG)	5.65