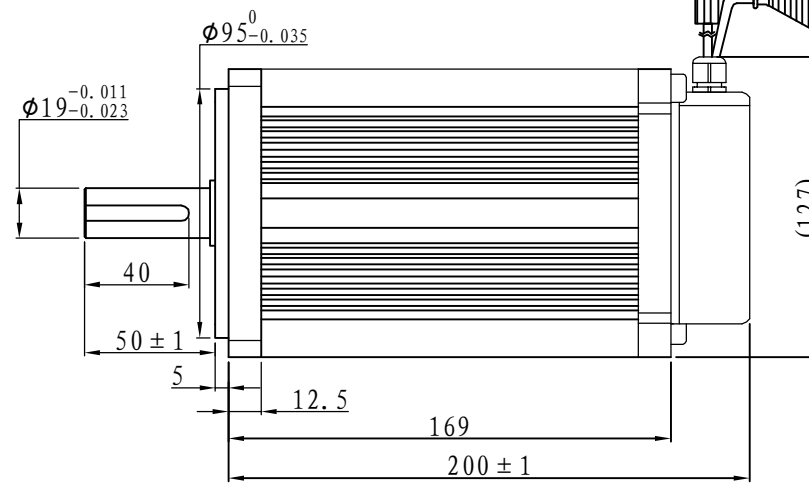
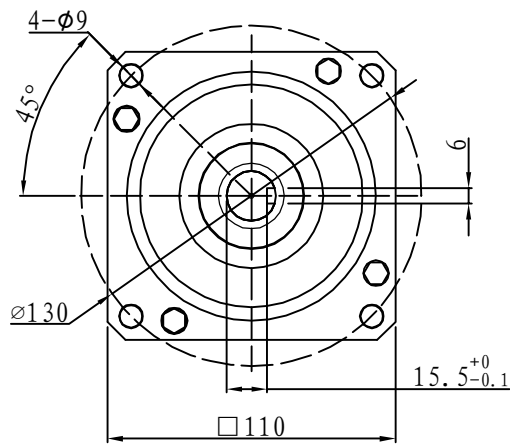


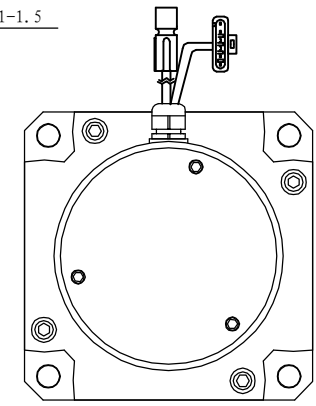
Demension

**ATO**

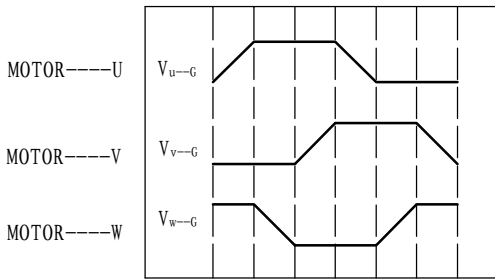
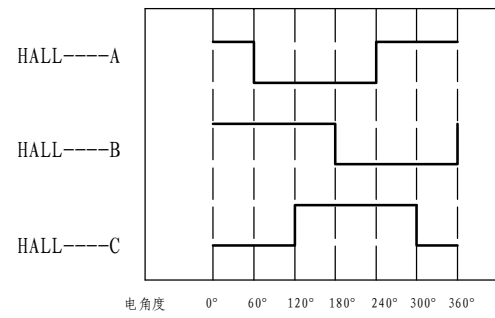


Motor power line: a length of 500 mm  
Plug-in models: SP75-8 #

Hall signal lines: a length of 500 mm  
Plug-in type: DJ7061-1.5



Motor to Hall Relationship



PHASE TO GROUND VOLTAGE  
ROTATION CW FROM THE FLANGE

Line Define

Power Wire

Red	Motor U
Yellow	Motor V
Blue	Motor W

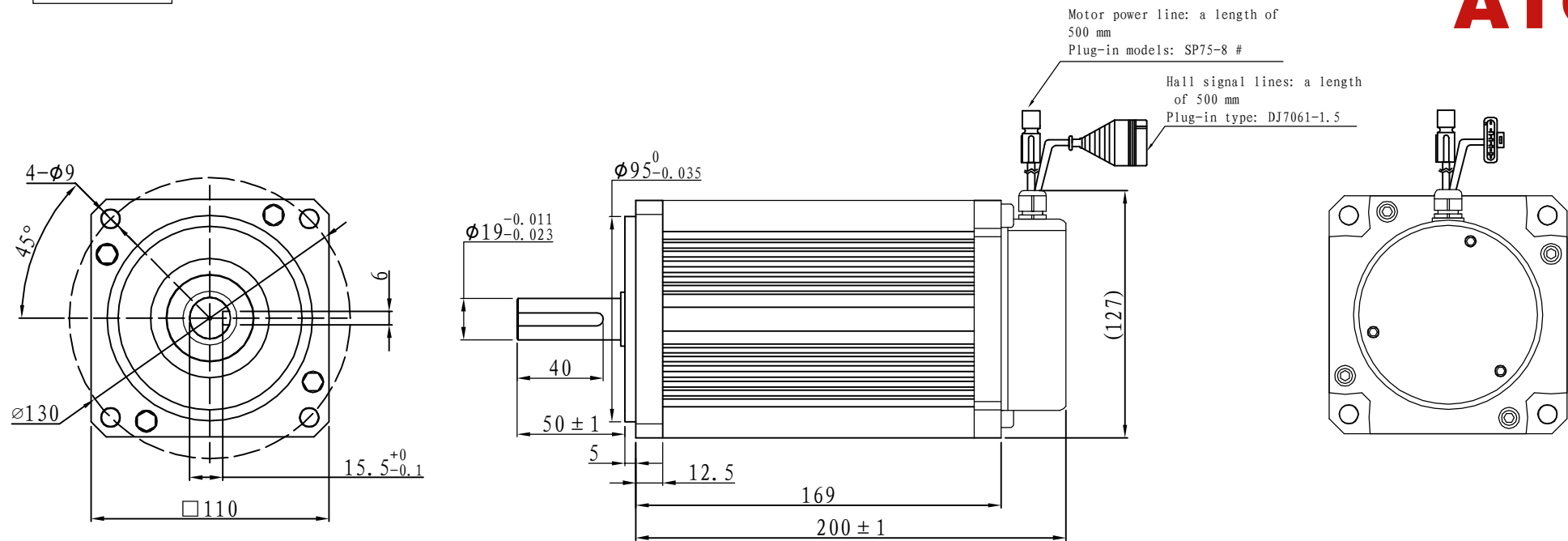
Feedback Wire

Hall line colour	Hall signal definition	Plug serial number
Orange and black	5V	1
Orange	0V	2
Yellow	Hall A	4
Blue	Hall B	5
Green	Hall C	6

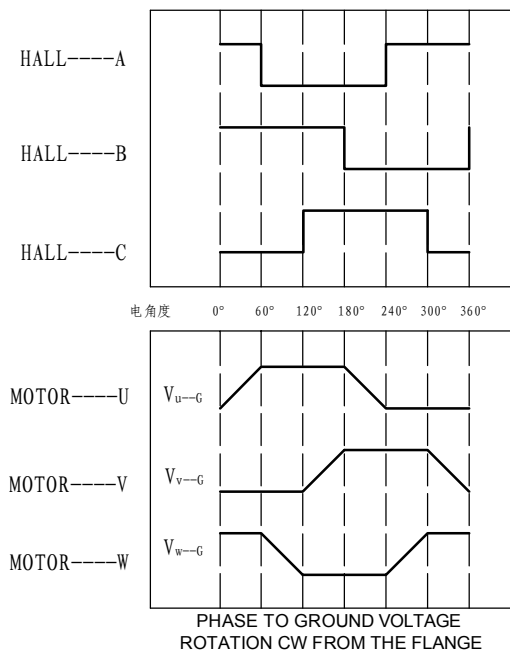
Tecnichal Data

Type	110WD-M06010-24V
Power (KW)	0.6
Rated voltage (V)	24
Rated current (A)	32.7
Rated speed (rpm)	1000
Rated torque (NM)	6
Rotor inertia (Kgcm2)	10
Protection rank	IP65
Insulation rank	F
Appropriate environment	Temperature: 0 ~ 50°C Humidity: < 90% (No dewdrop)
Motor weight (KG)	6.6

## Demension



## Motor to Hall Relationship



## Line Define

### Power Wire

Red	Motor U
Yellow	Motor V
Blue	Motor W

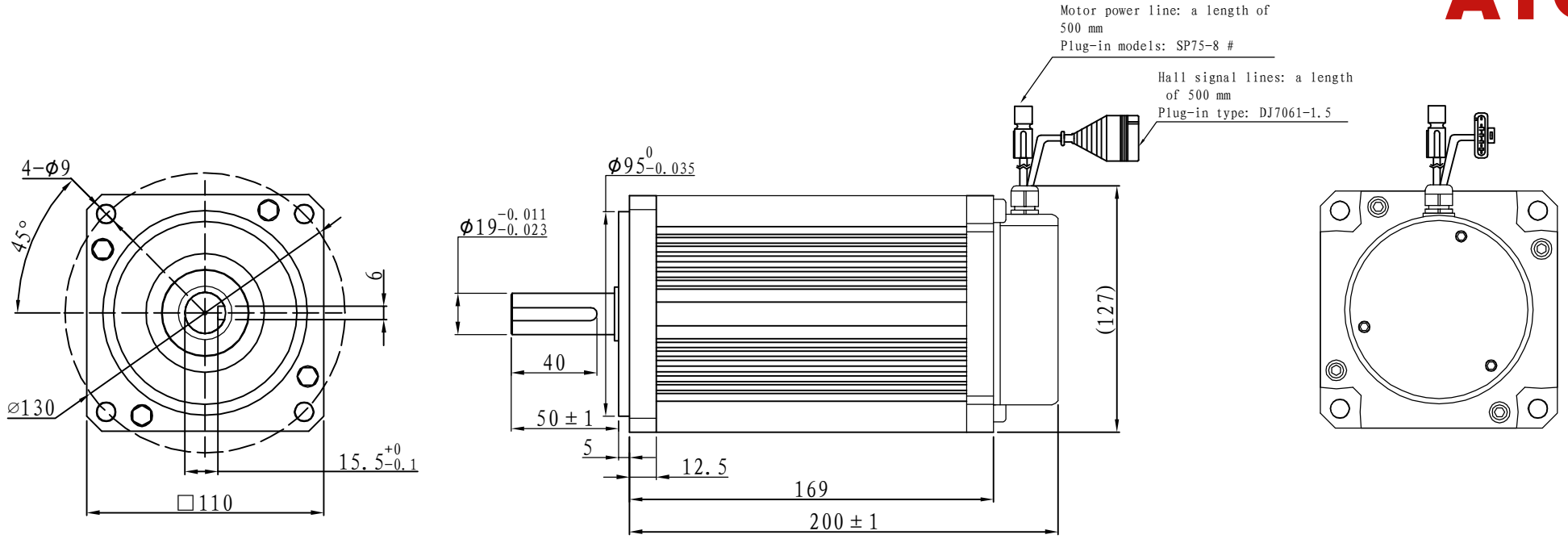
### Feedback Wire

Hall line colour	Hall signal definition	Plug serial number
Orange and black	5V	1
Orange	0V	2
Yellow	Hall A	3
Blue	Hall B	4
Green	Hall C	5

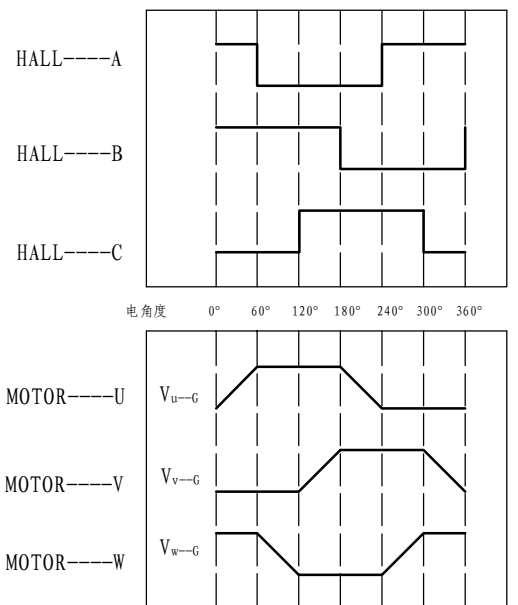
## Tecnichal Data

Type	110WD-M06010-48V
Power (KW)	0.6
Rated voltage (V)	48
Rated current (A)	16.4
Rated speed (rpm)	1000
Rated torque (NM)	6
Rotor inertia (Kgcm <sup>2</sup> )	10
Protection rank	IP65
Insulation rank	F
Appropriate environment	Temperature: 0 ~ 50°C Humidity: < 90% (No dewdrop)
Motor weight (KG)	6.6

## Demension



## Motor to Hall Relationship



PHASE TO GROUND VOLTAGE  
ROTATION CW FROM THE FLANGE

## Line Define

### Power Wire

Red	Motor U
Yellow	Motor V
Blue	Motor W

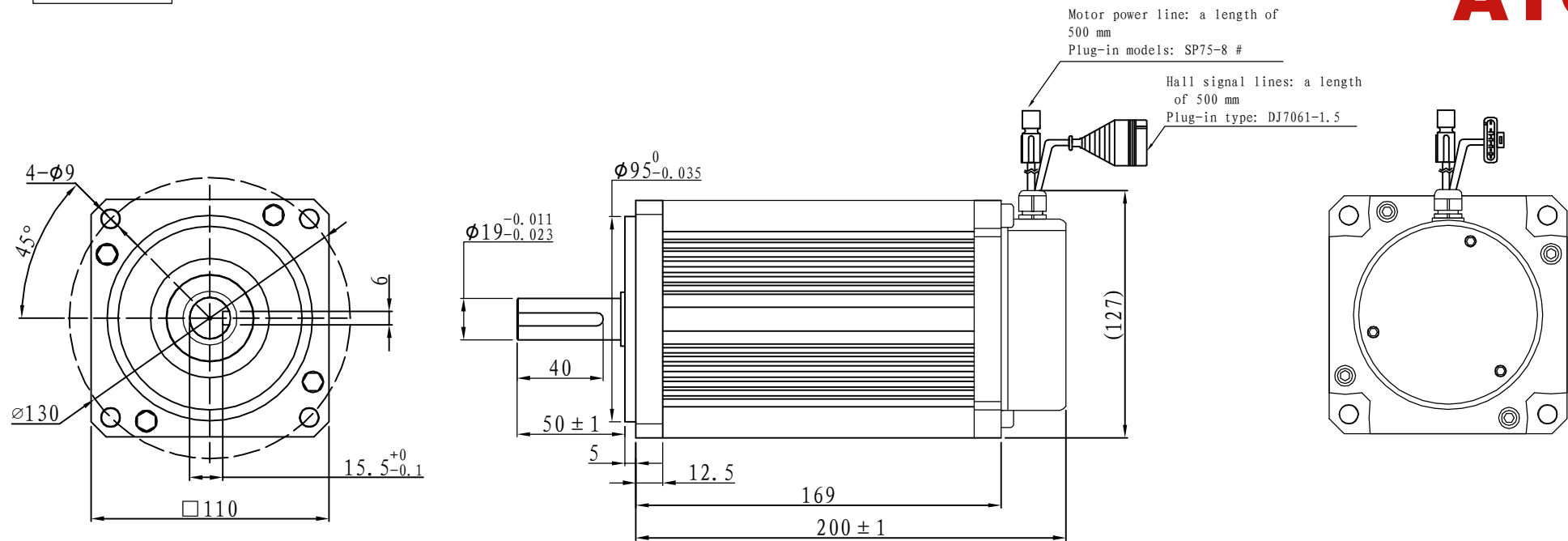
### Feedback Wire

Hall line colour	Hall signal definition	Plug serial number
Orange and black	5V	1
Orange	0V	2
Yellow	Hall A	3
Blue	Hall B	4
Green	Hall C	5

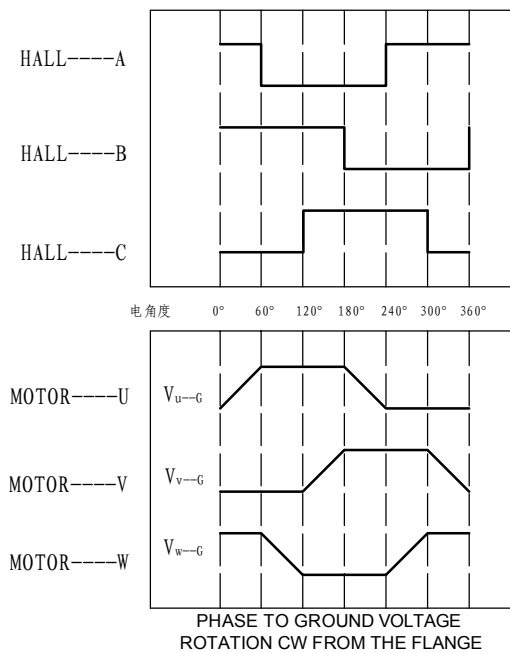
## Tecnichal Data

Type	110WD-M06010-72V
Power (KW)	0.6
Rated voltage (V)	72
Rated current (A)	10.9
Rated speed(rpm)	1000
Rated torque (NM)	6
Rotor inertia (Kgcm <sup>2</sup> )	10
Protection rank	IP65
Insulation rank	F
Appropriate environment	Temperature: 0~50°C Humidity: <90% (No dewdrop)
Motor weight (KG)	6.6

## Demension



## Motor to Hall Relationship



## Line Define

### Power Wire

Red	Motor U
Yellow	Motor V
Blue	Motor W

### Feedback Wire

Hall line colour	Hall signal definition	Plug serial number
Orange and black	5V	1
Orange	0V	2
Yellow	Hall A	3
Blue	Hall B	4
Green	Hall C	5

## Tecnichal Data

Type	110WD-M06010-96V
Power (KW)	0.6
Rated voltage (V)	96
Rated current (A)	8.2
Rated speed (rpm)	1000
Rated torque (NM)	6
Rotor inertia (Kgcm <sup>2</sup> )	10
Protection rank	IP65
Insulation rank	F
Appropriate environment	Temperature: 0 ~ 50°C Humidity: < 90% (No dewdrop)
Motor weight (KG)	6.6