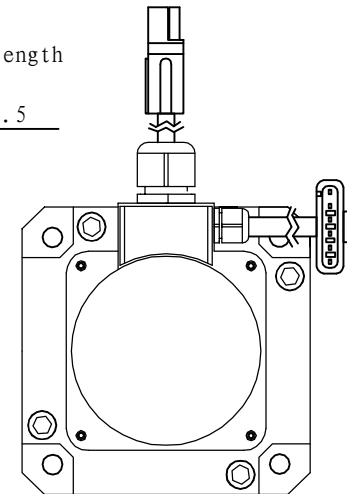
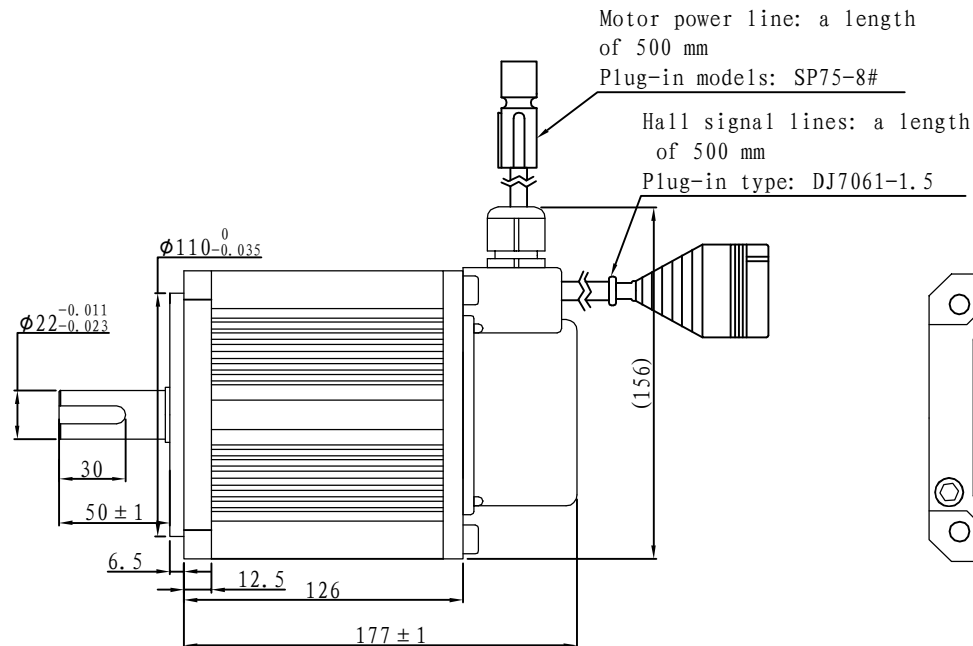
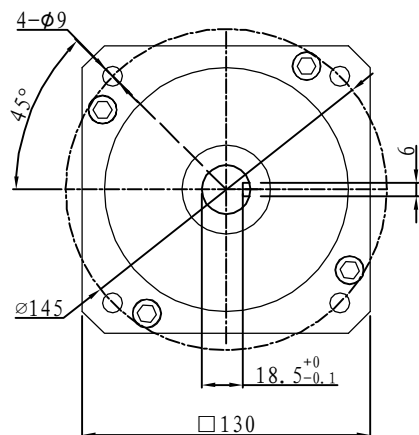
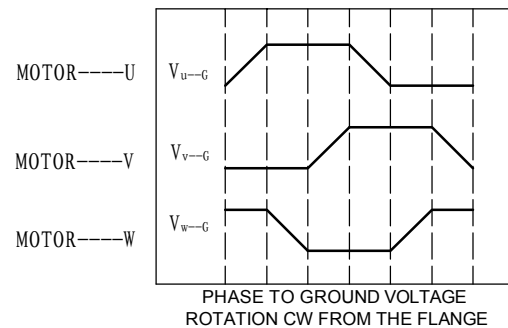
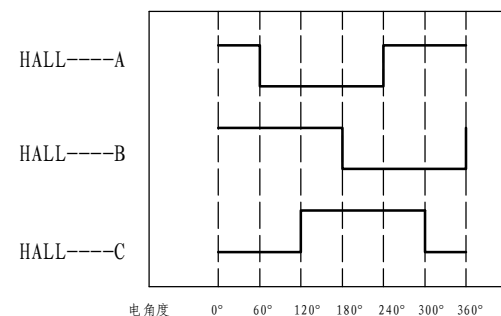


# Demension



## Motor to Hall Relationship



## Line Define

### Power Wire

Red	Motor U
Yellow	Motor V
Blue	Motor W

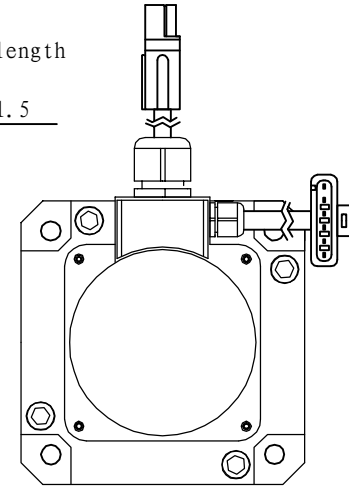
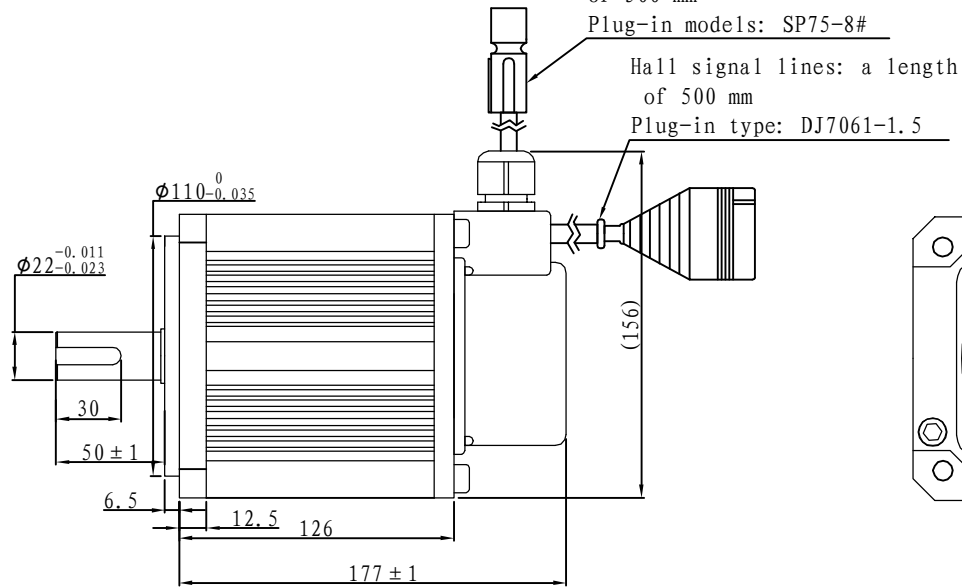
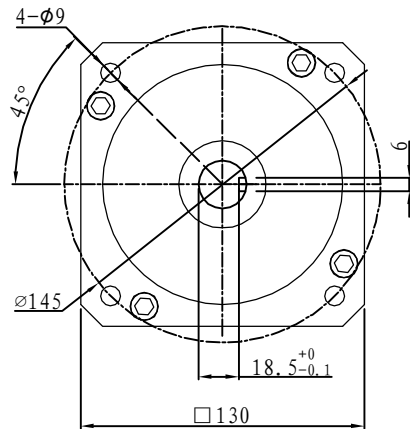
### Feedback Wire

Hall line colour	Hall signal definition	Plug serial number
Orange and black	5V	1
Orange	0V	2
Yellow	Hall A	4
Blue	Hall B	5
Green	Hall C	6

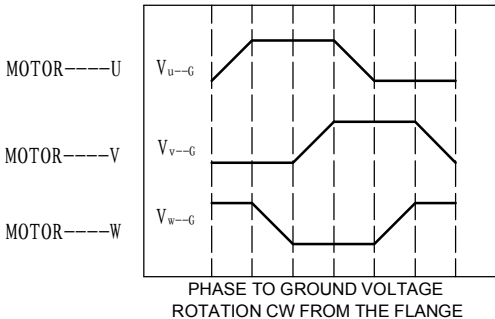
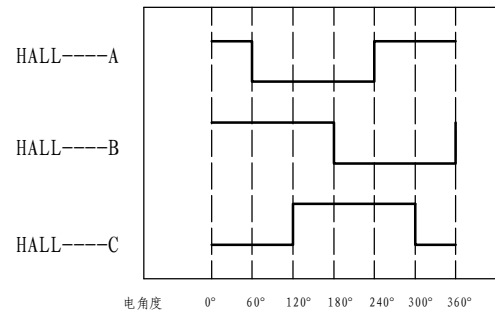
## Tecnichal Data

Type	130WD-M04010-24V
Power (KW)	0.4
Rated voltage (V)	24
Rated current (A)	20.5
Rated speed (rpm)	1000
Rated torque (NM)	4
Rotor inertia (Kgc <sup>m2</sup> )	10.4
Protection rank	IP65
Insulation rank	F
Appropriate environment	Temperature: 0~50°C Humidity: <90% (No dewdrop)
Motor weight (KG)	6.7

**Demension**



**Motor to Hall Relationship**



PHASE TO GROUND VOLTAGE ROTATION CW FROM THE FLANGE

**Line Define**

**Power Wire**

Red	Motor U
Yellow	Motor V
Blue	Motor W

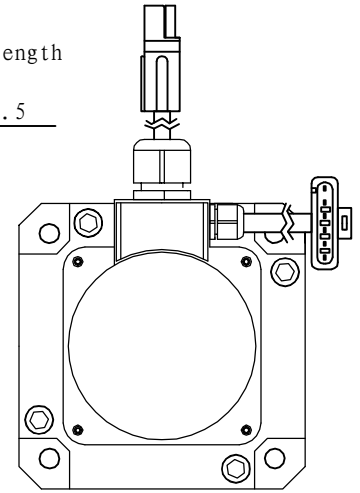
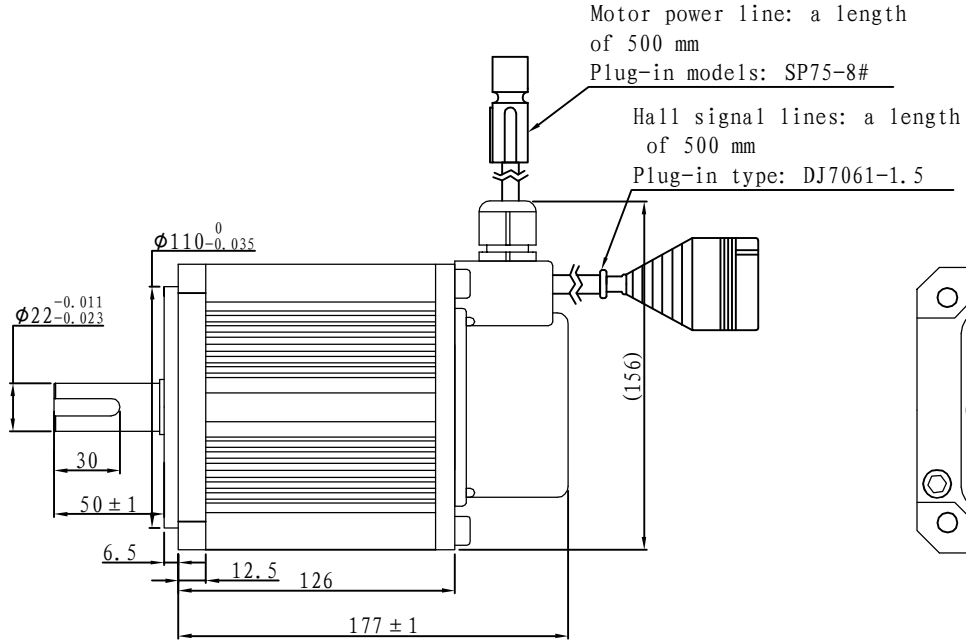
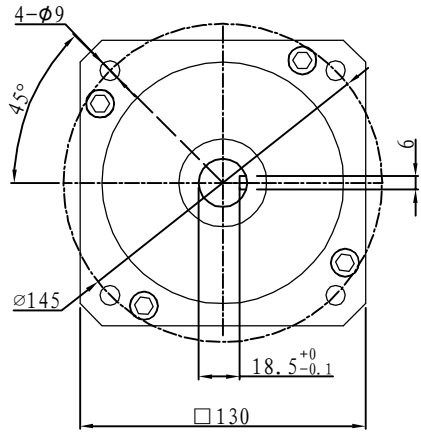
**Feedback Wire**

Hall line colour	Hall signal definition	Plug serial number
Orange and black	5V	1
Orange	0V	2
Yellow	Hall A	4
Blue	Hall B	5
Green	Hall C	6

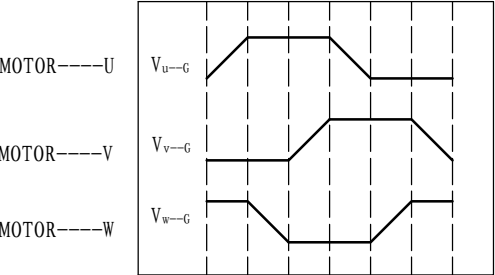
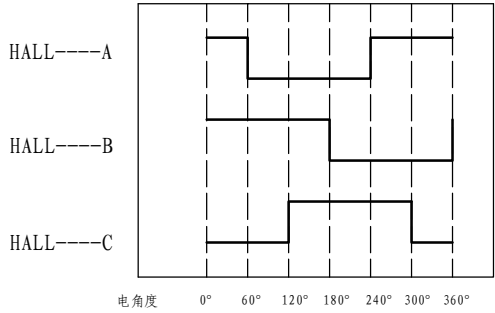
**Tecnichal Data**

Type	130WD-M04010-48V
Power (KW)	0.4
Rated voltage (V)	48
Rated current (A)	10.3
Rated speed (rpm)	1000
Rated torque (NM)	4
Rotor inertia (Kgcm <sup>2</sup> )	10.4
Protection rank	IP65
Insulation rank	F
Appropriate environment	Temperature: 0 ~ 50°C Humidity: <90% (No dewdrop)
Motor weight (KG)	6.7

## Demension



## Motor to Hall Relationship



PHASE TO GROUND VOLTAGE  
ROTATION CW FROM THE FLANGE

## Line Define

### Power Wire

Red	Motor U
Yellow	Motor V
Blue	Motor W

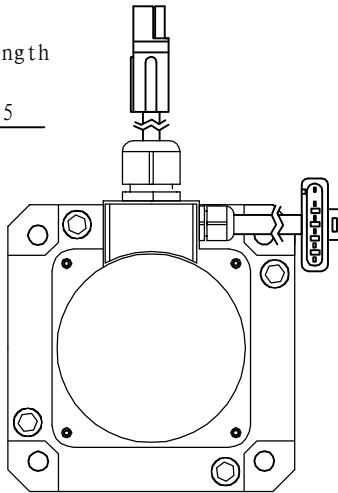
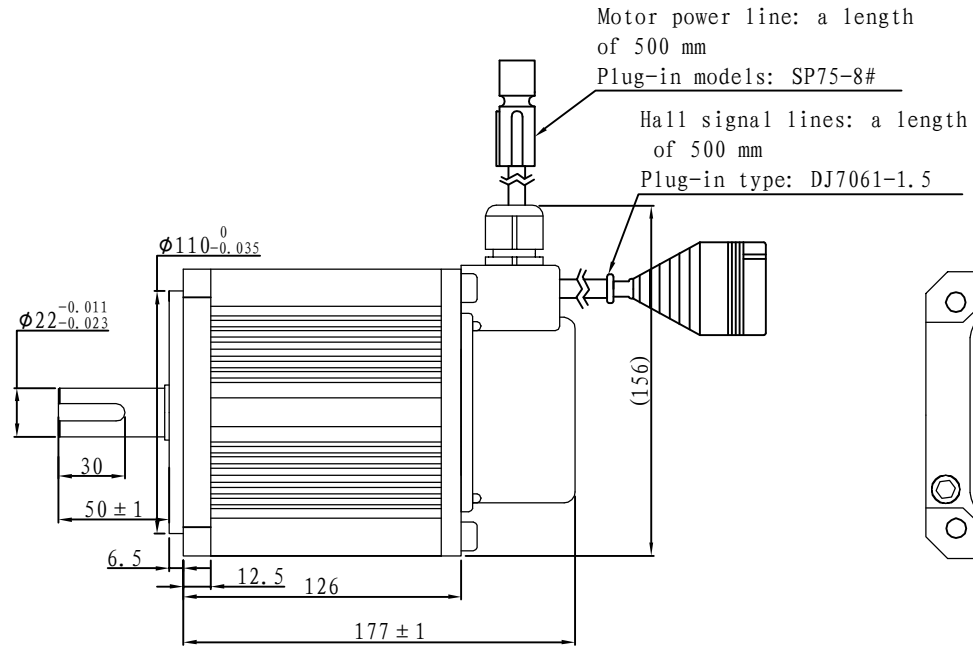
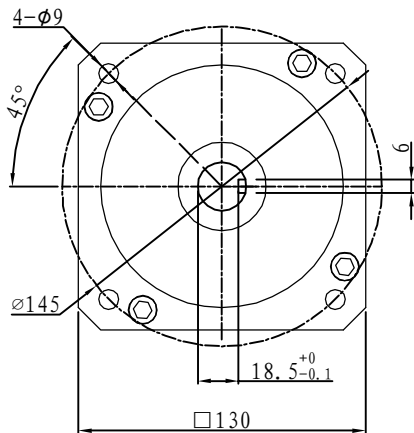
### Feedback Wire

Hall line colour	Hall signal definition	Plug serial number
Orange and black	5V	1
Orange	0V	2
Yellow	Hall A	4
Blue	Hall B	5
Green	Hall C	6

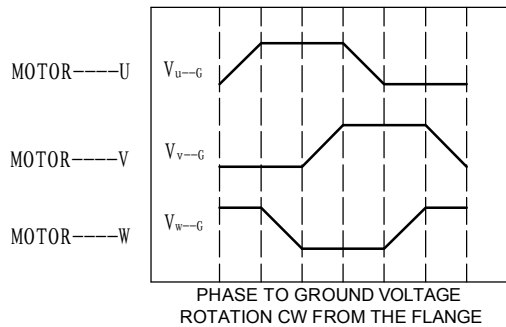
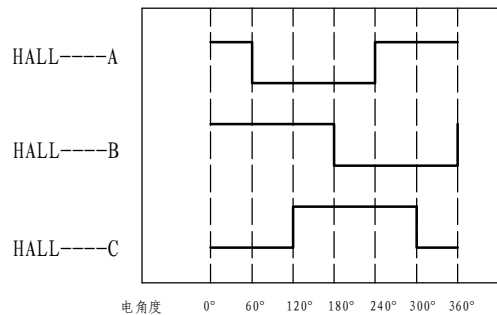
## Tecnichal Data

Type	130WD-M04010-72V
Power (KW)	0.4
Rated voltage (V)	72
Rated current (A)	6.8
Rated speed (rpm)	1000
Rated torque (NM)	4
Rotor inertia (Kgcm2)	10.4
Protection rank	IP65
Insulation rank	F
Appropriate environment	Temperature: 0~50℃ Humidity: <90% (No dewdrop)
Motor weight (KG)	6.7

## Demension



## Motor to Hall Relationship



## Line Define

### Power Wire

Red	Motor U
Yellow	Motor V
Blue	Motor W

### Feedback Wire

Hall line colour	Hall signal definition	Plug serial number
Orange and black	5V	1
Orange	0V	2
Yellow	Hall A	4
Blue	Hall B	5
Green	Hall C	6

## Tecnichal Data

Type	130WD-M04010-96V
Power (KW)	0.4
Rated voltage (V)	96
Rated current (A)	5.1
Rated speed (rpm)	1000
Rated torque (NM)	4
Rotor inertia (Kgcm <sup>2</sup> )	10.4
Protection rank	IP65
Insulation rank	F
Appropriate environment	Temperature: 0~50℃ Humidity: <90% (No dewdrop)
Motor weight (KG)	6.7