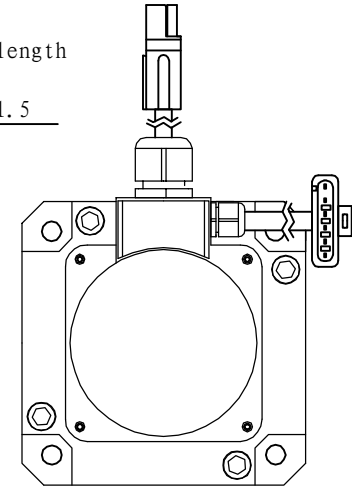
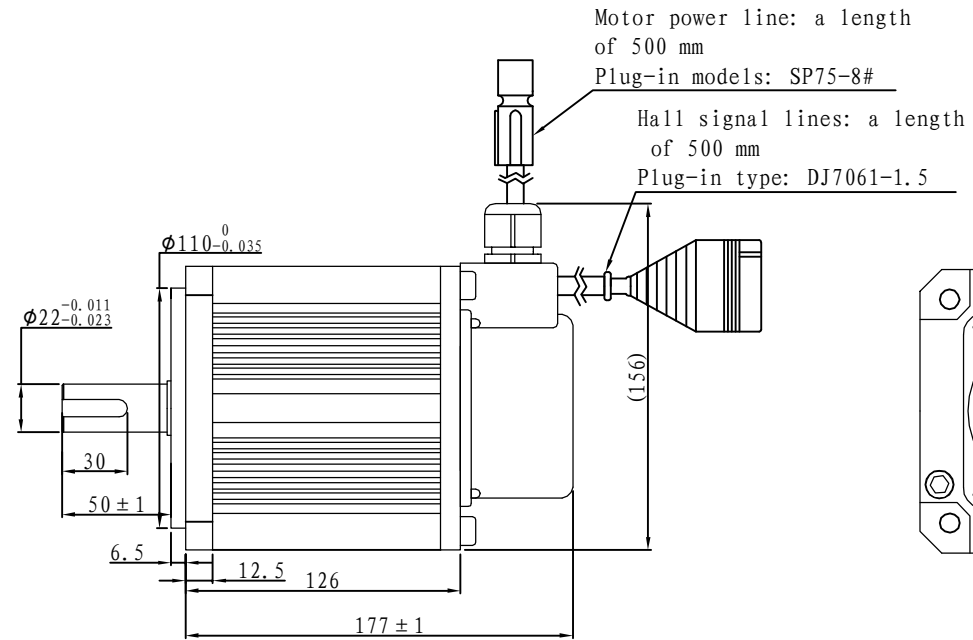
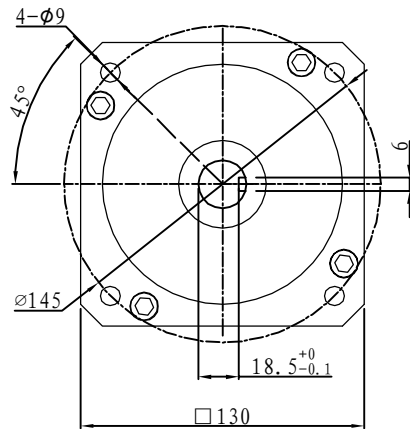
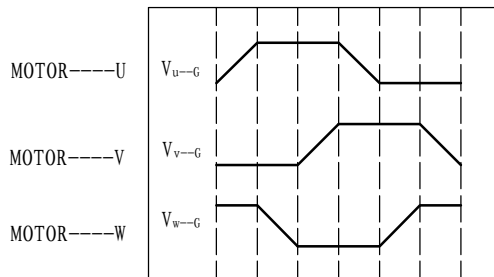
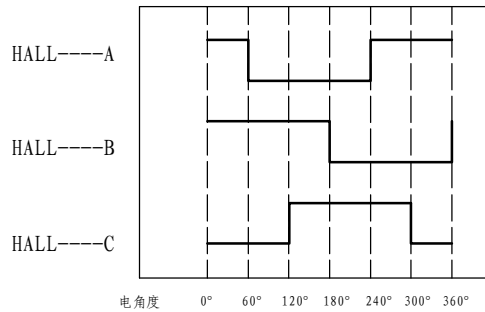


# Demension



# ATO

## Motor to Hall Relationship



PHASE TO GROUND VOLTAGE  
ROTATION CW FROM THE FLANGE

## Line Define

### Power Wire

Red	Motor U
Yellow	Motor V
Blue	Motor W

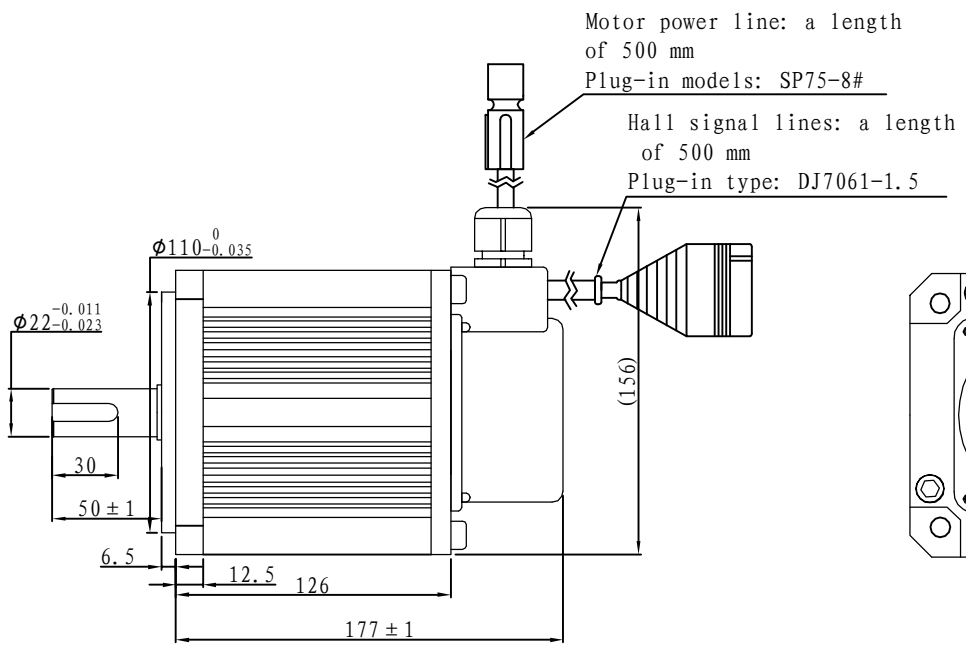
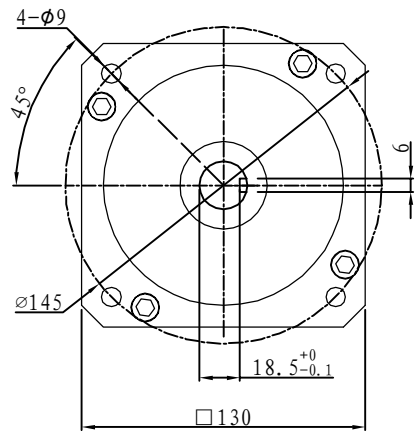
### Feedback Wire

Hall line colour	Hall signal definition	Plug serial number
Orange and black	5V	1
Orange	0V	2
Yellow	Hall A	4
Blue	Hall B	5
Green	Hall C	6

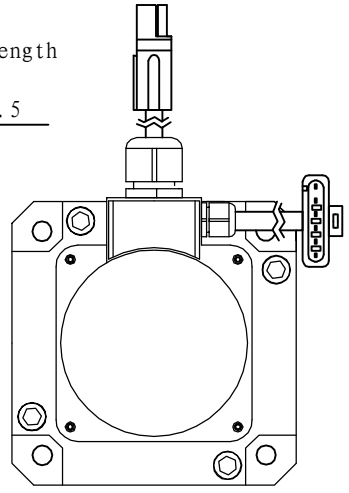
## Tecnichal Data

Type	130WD-M04020-24V
Power (KW)	0.8
Rated voltage (V)	24
Rated current (A)	41.1
Rated speed (rpm)	2000
Rated torque (NM)	4
Rotor inertia (Kgcm <sup>2</sup> )	10.4
Protection rank	IP65
Insulation rank	F
Appropriate environment	Temperature: 0~50℃ Humidity: <90% (No dewdrop)
Motor weight (KG)	6.7

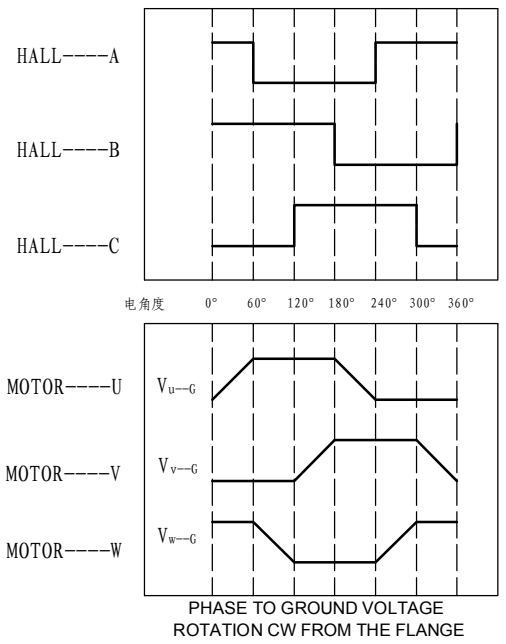
## Demension



Motor power line: a length of 500 mm  
 Plug-in models: SP75-8#  
 Hall signal lines: a length of 500 mm  
 Plug-in type: DJ7061-1.5



## Motor to Hall Relationship



## Line Define

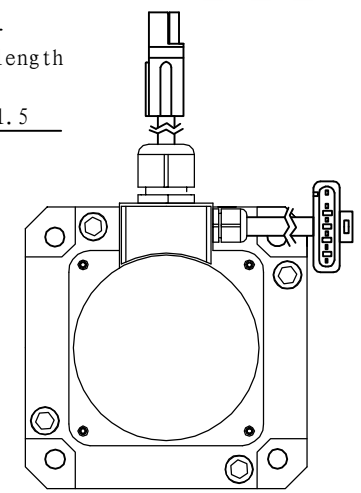
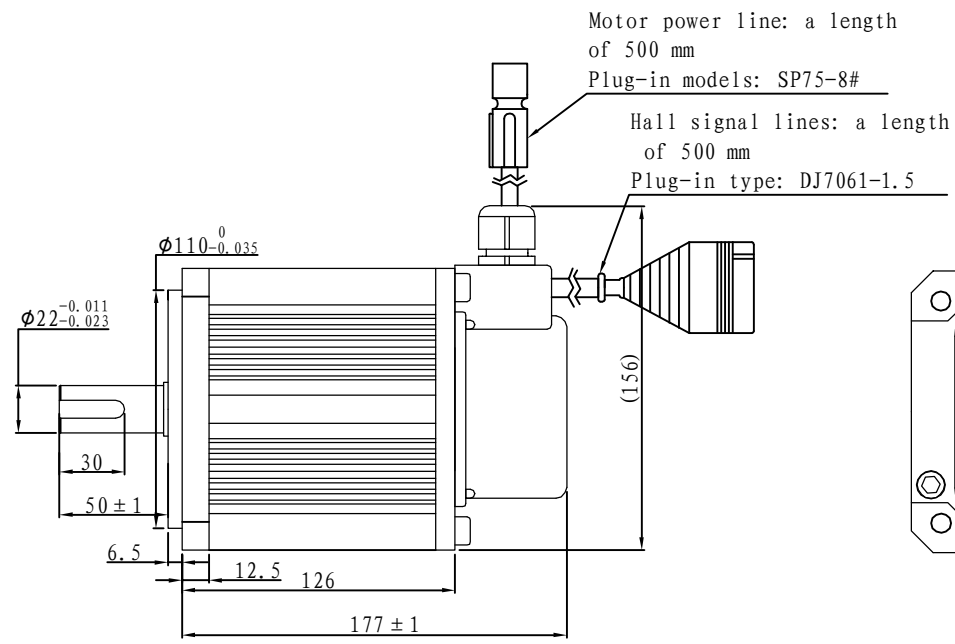
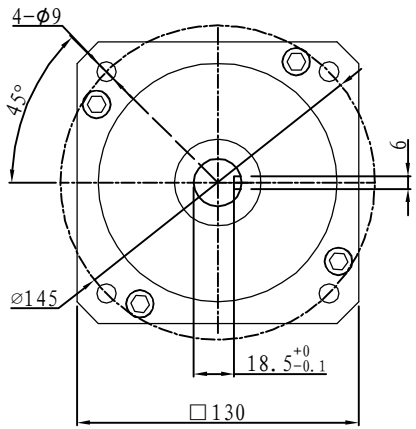
Power Wire	
Red	Motor U
Yellow	Motor V
Blue	Motor W

Feedback Wire		
Hall line colour	Hall signal definition	Plug serial number
Orange and black	5V	1
Orange	0V	2
Yellow	Hall A	4
Blue	Hall B	5
Green	Hall C	6

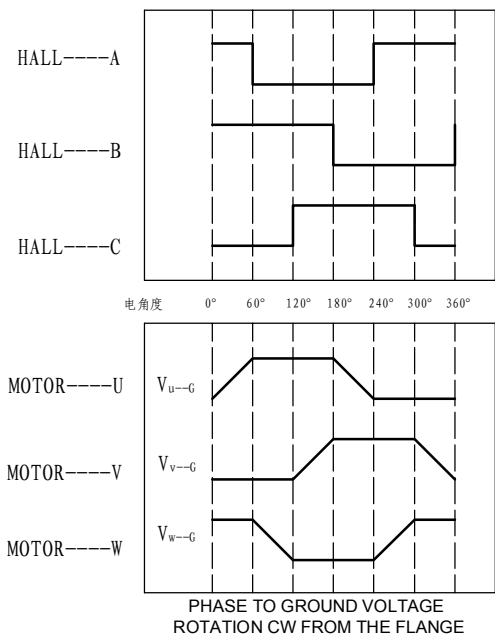
## Tecnichal Data

Type	130WD-M04020-48V
Power (KW)	0.8
Rated voltage (V)	48
Rated current (A)	20.5
Rated speed (rpm)	2000
Rated torque (NM)	4
Rotor inertia (KgcM2)	10.4
Protection rank	IP65
Insulation rank	F
Appropriate environment	Temperature: 0 ~ 50°C Humidity: < 90% (No dewdrop)
Motor weight (KG)	6.7

## Demension



## Motor to Hall Relationship



## Line Define

### Power Wire

Red	Motor U
Yellow	Motor V
Blue	Motor W

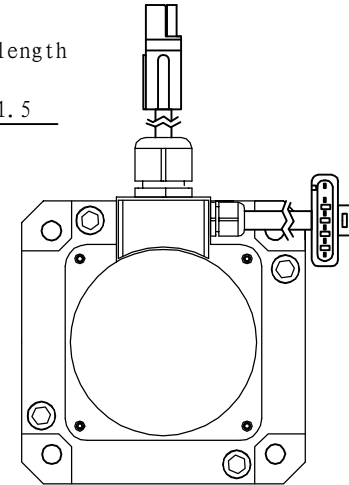
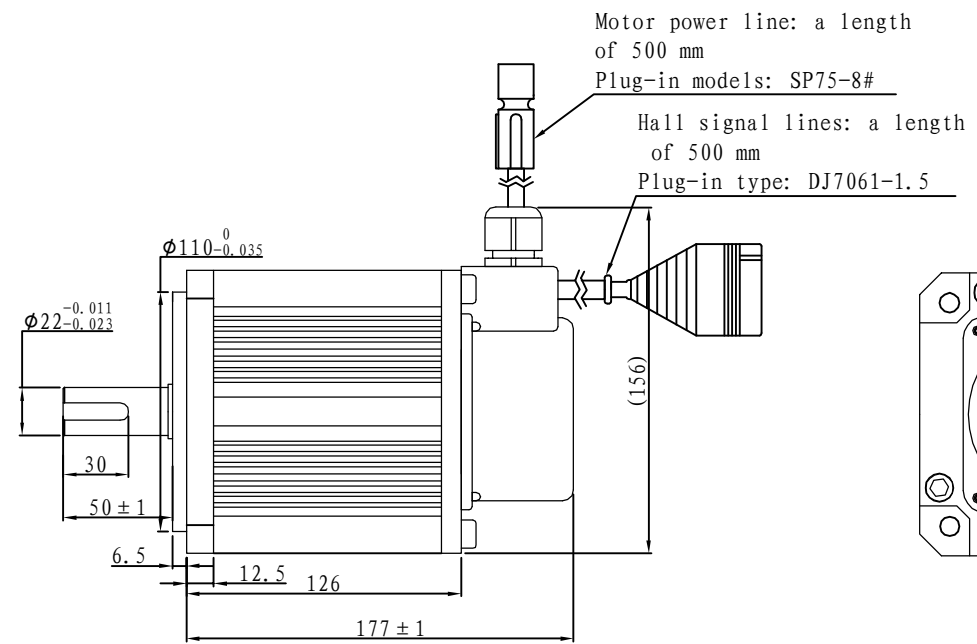
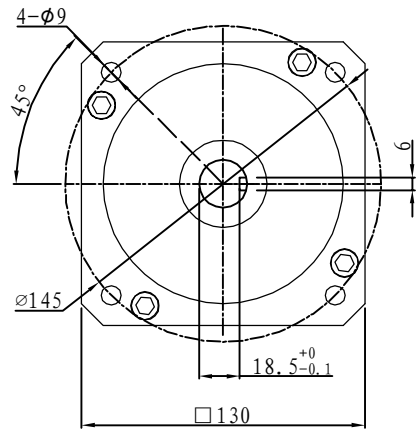
### Feedback Wire

Hall line colour	Hall signal definition	Plug serial number
Orange and black	5V	1
Orange	0V	2
Yellow	Hall A	4
Blue	Hall B	5
Green	Hall C	6

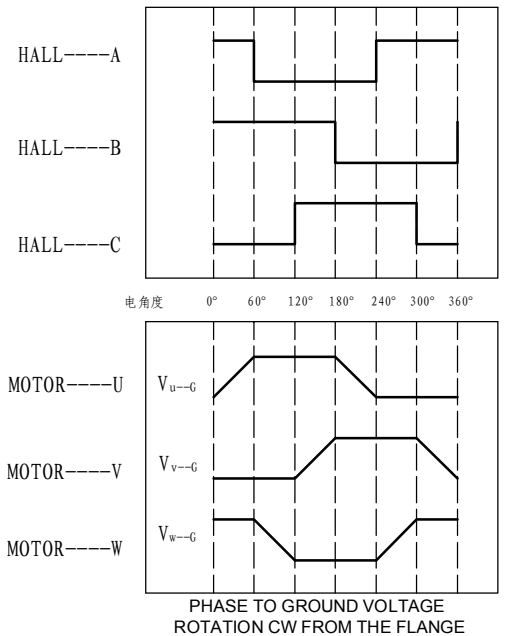
## Tecnichal Data

Type	130WD-M04020-72V
Power (KW)	0.8
Rated voltage (V)	72
Rated current (A)	13.7
Rated speed (rpm)	2000
Rated torque (NM)	4
Rotor inertia (Kgcm <sup>2</sup> )	10.4
Protection rank	IP65
Insulation rank	F
Appropriate environment	Temperature: 0 ~ 50°C Humidity: < 90% (No dewdrop)
Motor weight (KG)	6.7

# Demension



# Motor to Hall Relationship



# Line Define

**Power Wire**

Red	Motor U
Yellow	Motor V
Blue	Motor W

**Feedback Wire**

Hall line colour	Hall signal definition	Plug serial number
Orange and black	5V	1
Orange	0V	2
Yellow	Hall A	4
Blue	Hall B	5
Green	Hall C	6

# Tecnichal Data

Type	130WD-M04020-96V
Power (KW)	0.8
Rated voltage (V)	96
Rated current (A)	10.3
Rated speed (rpm)	2000
Rated torque (NM)	4
Rotor inertia (Kgc <sup>m</sup> 2)	10.4
Protection rank	IP65
Insulation rank	F
Appropriate environment	Temperature: 0 ~ 50°C Humidity: <90% (No dewdrop)
Motor weight (KG)	6.7