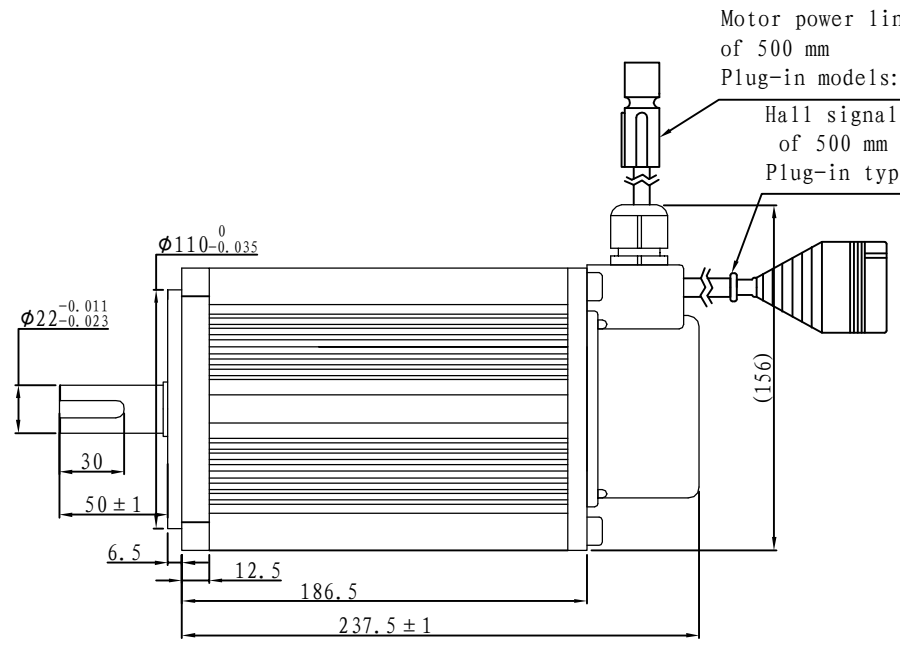
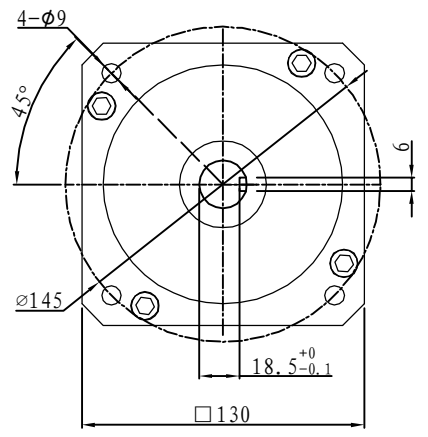
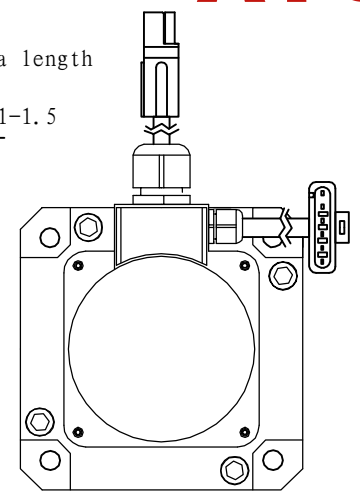


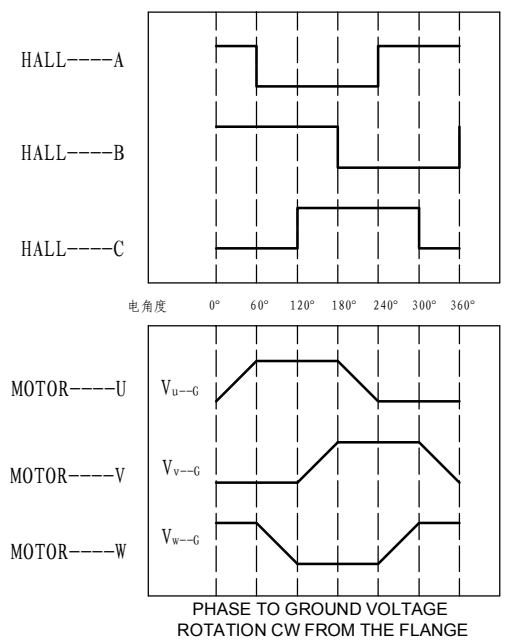
### Demension



Motor power line: a length of 500 mm  
 Plug-in models: SP75-8#  
 Hall signal lines: a length of 500 mm  
 Plug-in type: DJ7061-1.5



### Motor to Hall Relationship



### Line Define

Power Wire	
Red	Motor U
Yellow	Motor V
Blue	Motor W

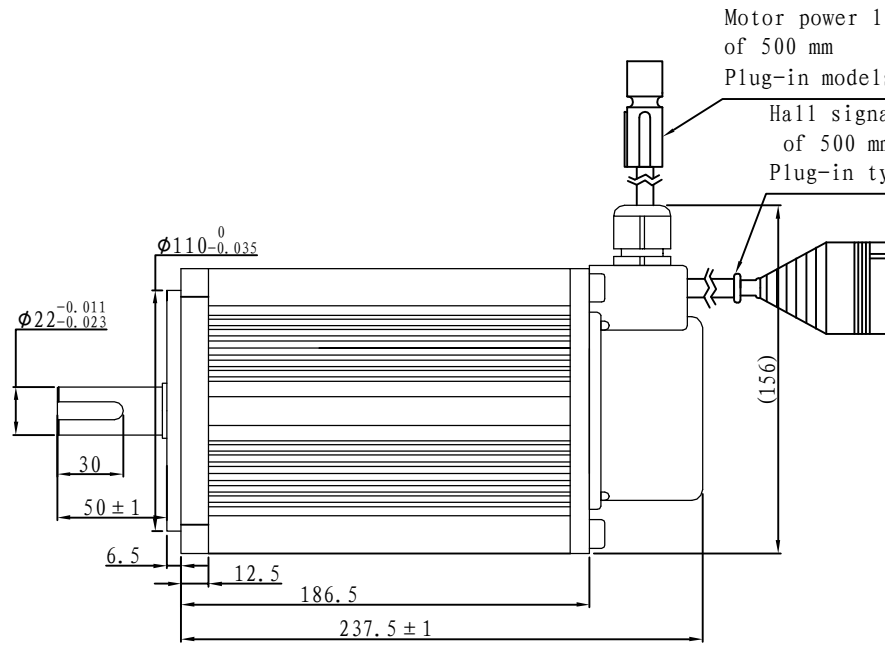
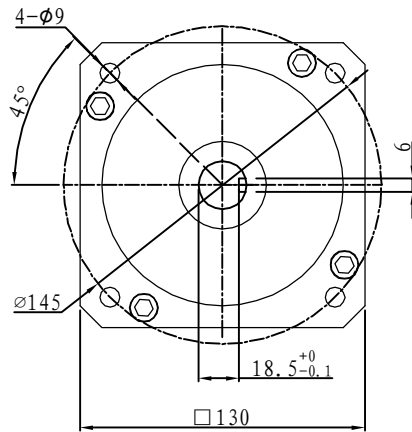
### Feedback Wire

Hall line colour	Hall signal definition	Plug serial number
Orange and black	5V	1
Orange	0V	2
Yellow	Hall A	4
Blue	Hall B	5
Green	Hall C	6

### Tecnichal Data

Type	130WD-M10010-24V
Power (KW)	1.0
Rated voltage (V)	24
Rated current (A)	51.4
Rated speed (rpm)	1000
Rated torque (NM)	10
Rotor inertia (Kgcm <sup>2</sup> )	21.4
Protection rank	IP65
Insulation rank	F
Appropriate environment	Temperature: 0~50°C Humidity: <90% (No dewdrop)
Motor weight (KG)	12

## Demension

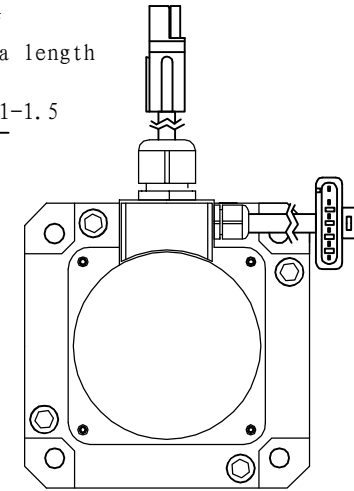


Motor power line: a length of 500 mm

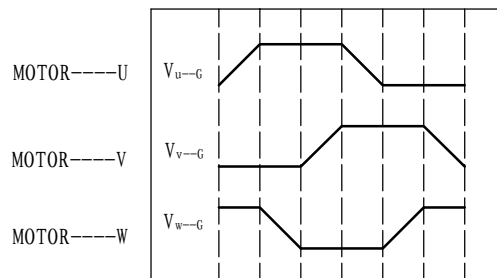
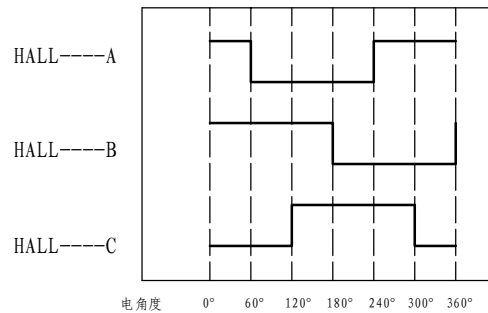
Plug-in models: SP75-8#

Hall signal lines: a length of 500 mm

Plug-in type: DJ7061-1.5



## Motor to Hall Relationship



PHASE TO GROUND VOLTAGE  
ROTATION CW FROM THE FLANGE

## Line Define

### Power Wire

Red	Motor U
Yellow	Motor V
Blue	Motor W

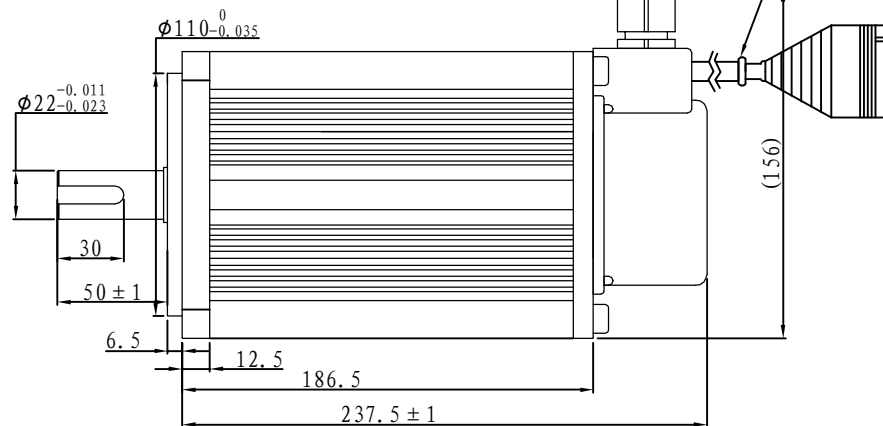
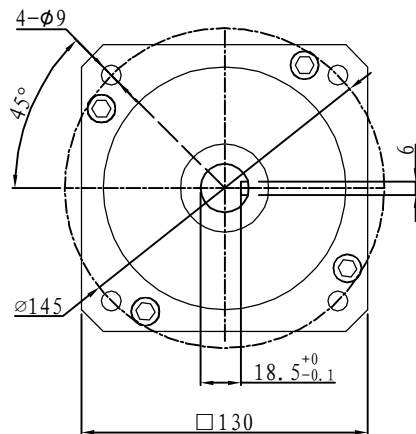
### Feedback Wire

Hall line colour	Hall signal definition	Plug serial number
Orange and black	5V	1
Orange	0V	2
Yellow	Hall A	4
Blue	Hall B	5
Green	Hall C	6

## Tecnichal Data

Type	130WD-M10010-48V
Power (KW)	1.0
Rated voltage (V)	48
Rated current (A)	25.7
Rated speed (rpm)	1000
Rated torque (NM)	10
Rotor inertia (Kgcm <sup>2</sup> )	21.4
Protection rank	IP65
Insulation rank	F
Appropriate environment	Temperature: 0~50℃ Humidity: <90% (No dewdrop)
Motor weight (KG)	12

# Demension

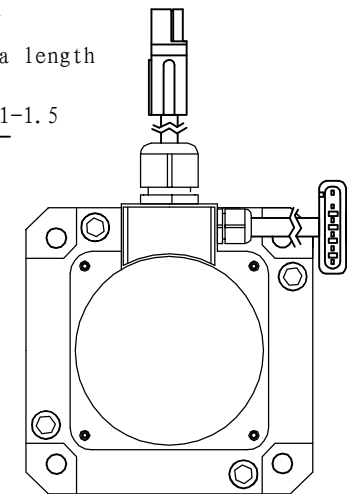


Motor power line: a length of 500 mm

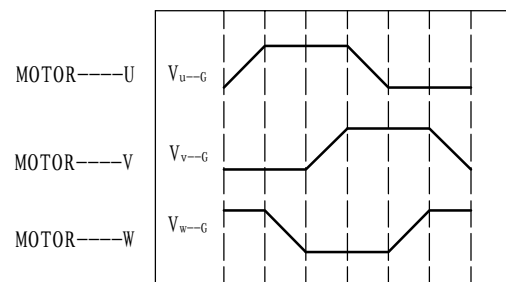
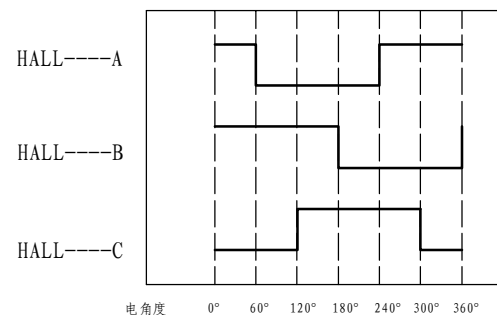
Plug-in models: SP75-8#

Hall signal lines: a length of 500 mm

Plug-in type: DJ7061-1.5



## Motor to Hall Relationship



PHASE TO GROUND VOLTAGE  
ROTATION CW FROM THE FLANGE

## Line Define

### Power Wire

Red	Motor U
Yellow	Motor V
Blue	Motor W

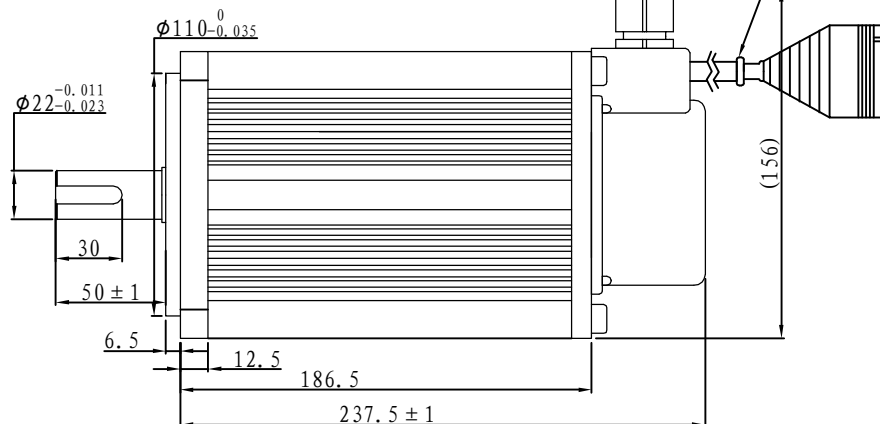
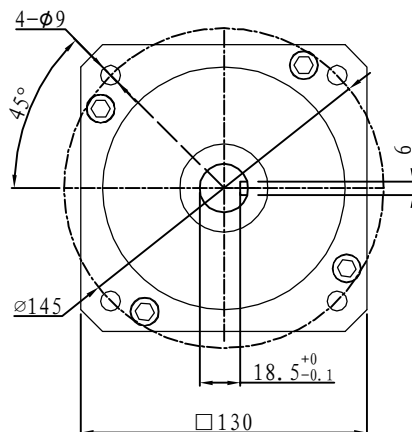
### Feedback Wire

Hall line colour	Hall signal definition	Plug serial number
Orange and black	5V	1
Orange	0V	2
Yellow	Hall A	4
Blue	Hall B	5
Green	Hall C	6

## Tecnichal Data

Type	130WD-M10010-72V
Power (KW)	1.0
Rated voltage (V)	72
Rated current (A)	17.1
Rated speed (rpm)	1000
Rated torque (NM)	10
Rotor inertia (Kgcm <sup>2</sup> )	21.4
Protection rank	IP65
Insulation rank	F
Appropriate environment	Temperature: 0 ~ 50°C Humidity: < 90% (No dewdrop)
Motor weight (KG)	12

### Demension

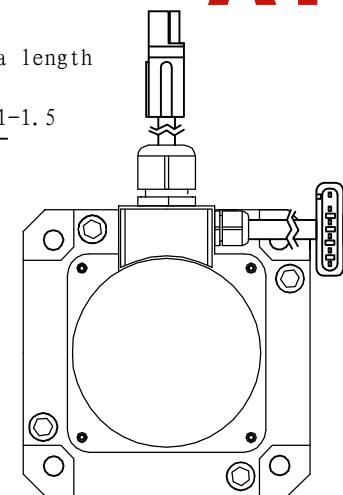


Motor power line: a length of 500 mm

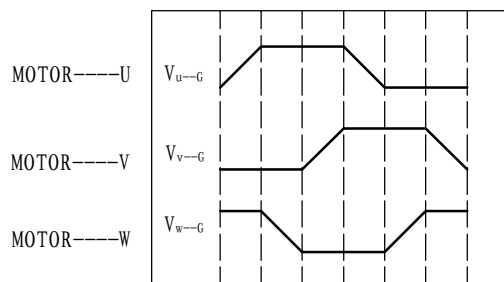
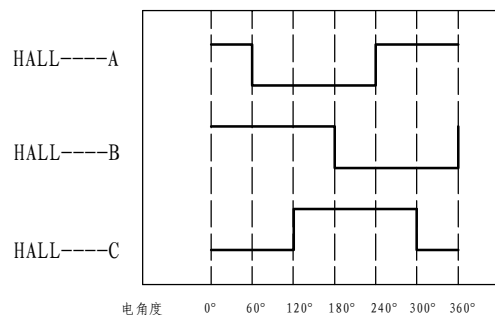
Plug-in models: SP75-8#

Hall signal lines: a length of 500 mm

Plug-in type: DJ7061-1.5



### Motor to Hall Relationship



PHASE TO GROUND VOLTAGE ROTATION CW FROM THE FLANGE

### Line Define

#### Power Wire

Red	Motor U
Yellow	Motor V
Blue	Motor W

#### Feedback Wire

Hall line colour	Hall signal definition	Plug serial number
Orange and black	5V	1
Orange	0V	2
Yellow	Hall A	4
Blue	Hall B	5
Green	Hall C	6

### Technical Data

Type	130WD-M10010-96V
Power (KW)	1.0
Rated voltage (V)	96
Rated current (A)	12.8
Rated speed (rpm)	1000
Rated torque (NM)	10
Rotor inertia (Kgcm <sup>2</sup> )	21.4
Protection rank	IP65
Insulation rank	F
Appropriate environment	Temperature: 0~50℃ Humidity: <90% (No dewdrop)
Motor weight (KG)	12