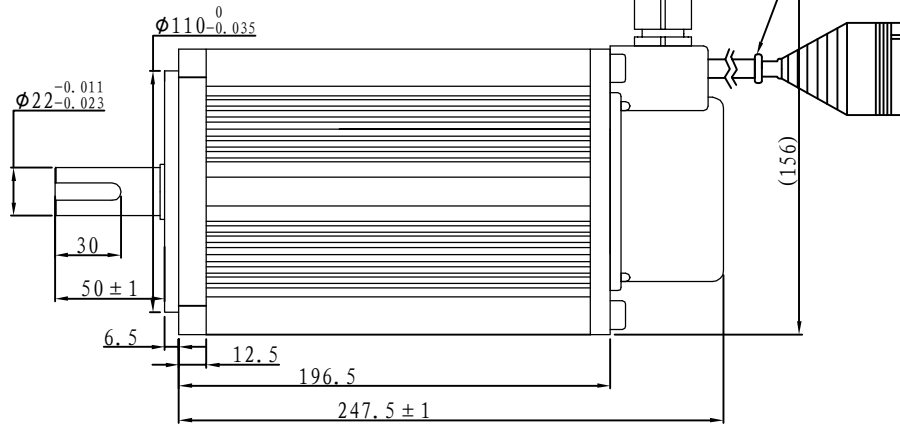
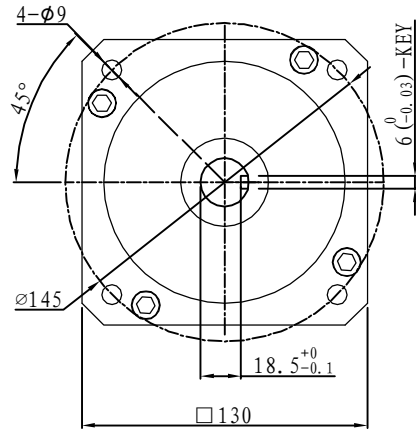
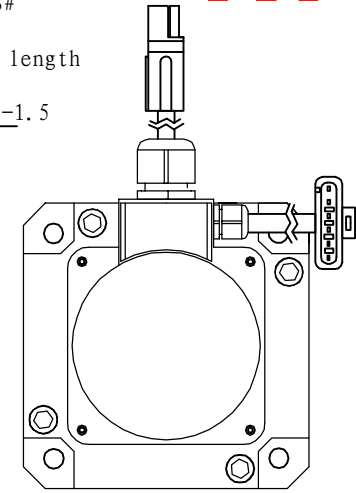


# Demension

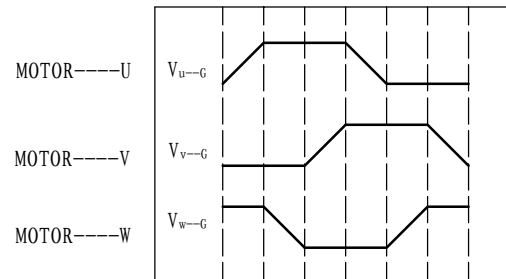
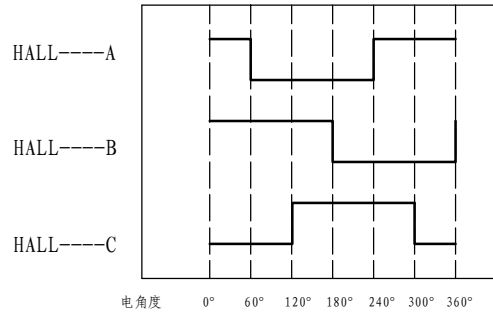


Motor power line: a length of 500 mm  
Plug-in models: SP75-8#

Hall signal lines: a length of 500 mm  
Plug-in type: DJ7061-1.5



Motor to Hall Relationship



PHASE TO GROUND VOLTAGE  
ROTATION CW FROM THE FLANGE

Line Define

### Power Wire

Red	Motor U
Yellow	Motor V
Blue	Motor W

### Feedback Wire

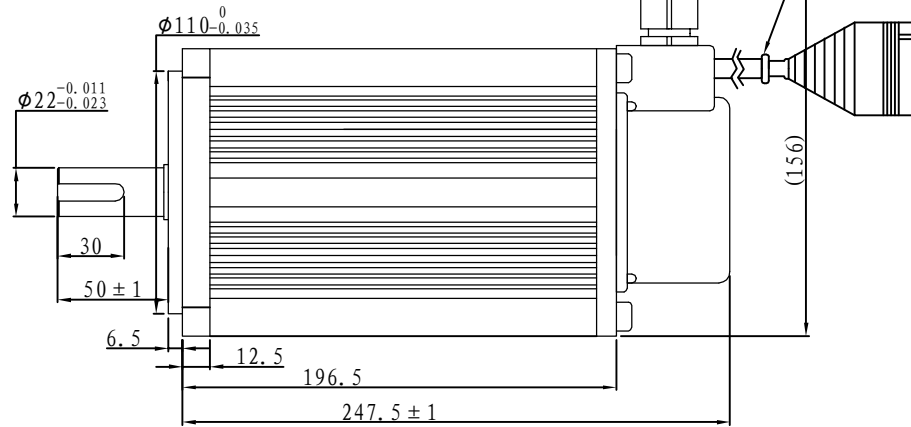
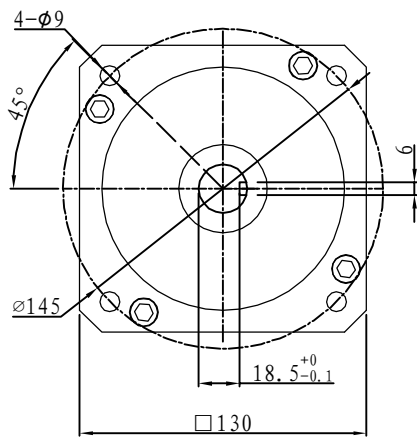
Hall line colour	Hall signal definition	Plug serial number
Orange and black	5V	1
Orange	0V	2
Yellow	Hall A	4
Blue	Hall B	5
Green	Hall C	6

Tecnichal Data

Type	130WD-M10020-24V
Power (KW)	2.1
Rated voltage (V)	24
Rated current (A)	102.7
Rated speed (rpm)	2000
Rated torque (NM)	10
Rotor inertia (Kgcm <sup>2</sup> )	21.4
Protection rank	IP65
Insulation rank	F
Appropriate environment	Temperature: 0 ~ 50°C Humidity: < 90% (No dewdrop)
Motor weight (KG)	12

**Demension**

**ATO**

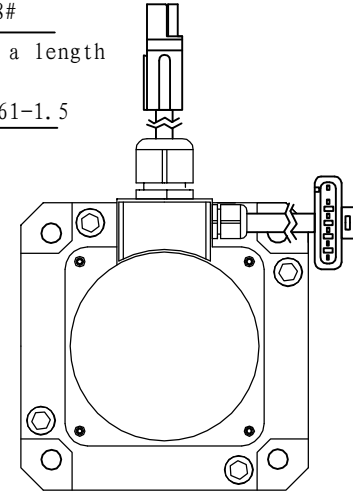


Motor power line: a length of 500 mm

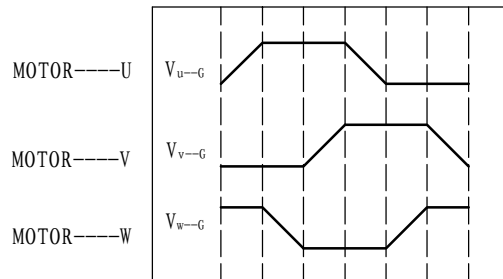
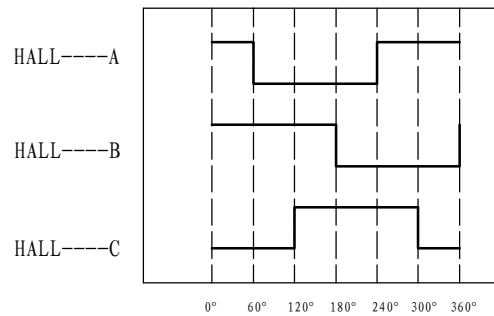
Plug-in models: SP75-8#

Hall signal lines: a length of 500 mm

Plug-in type: DJ7061-1.5



**Motor to Hall Relationship**



PHASE TO GROUND VOLTAGE  
ROTATION CW FROM THE FLANGE

**Line Define**

**Power Wire**

Red	Motor U
Yellow	Motor V
Blue	Motor W

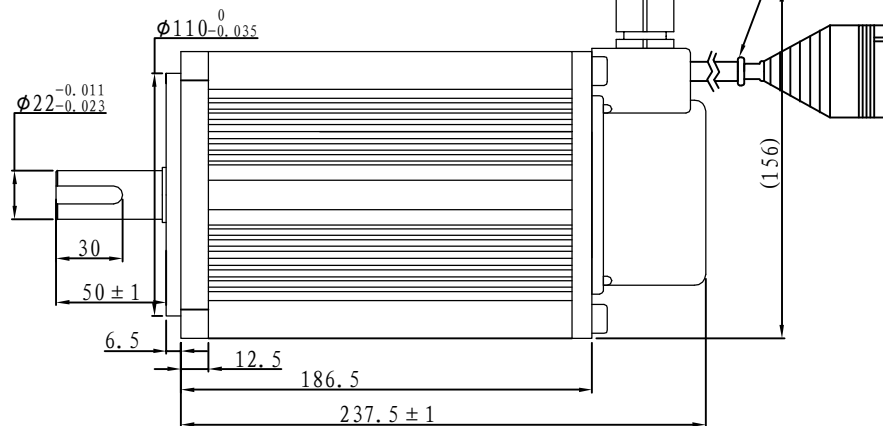
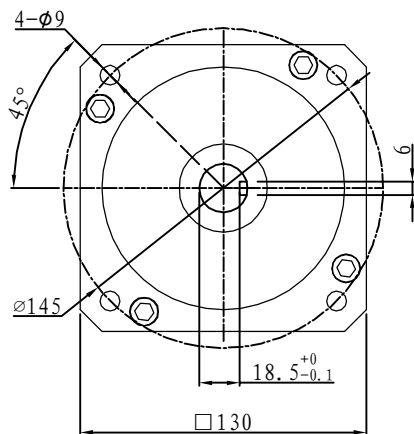
**Feedback Wire**

Hall line colour	Hall signal definition	Plug serial number
Orange and black	5V	1
Orange	0V	2
Yellow	Hall A	4
Blue	Hall B	5
Green	Hall C	6

**Tecnichal Data**

Type	130WD-M10020-48V
Power (KW)	2.1
Rated voltage (V)	48
Rated current (A)	51.3
Rated speed (rpm)	2000
Rated torque (NM)	10
Rotor inertia (Kgcm <sup>2</sup> )	21.4
Protection rank	IP65
Insulation rank	F
Appropriate environment	Temperature: 0~50℃ Humidity: <90% (No dewdrop)
Motor weight (KG)	12

# Demension

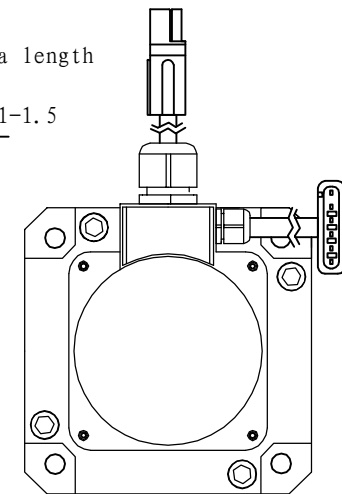


Motor power line: a length of 500 mm

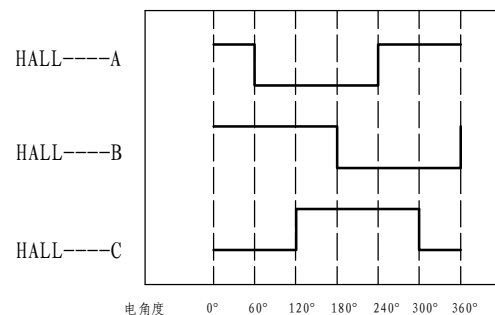
Plug-in models: SP75-8#

Hall signal lines: a length of 500 mm

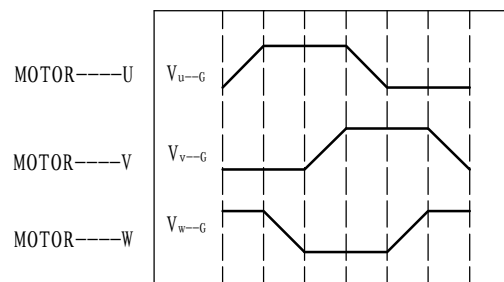
Plug-in type: DJ7061-1.5



## Motor to Hall Relationship



电角度 0° 60° 120° 180° 240° 300° 360°



PHASE TO GROUND VOLTAGE ROTATION CW FROM THE FLANGE

## Line Define

### Power Wire

Red	Motor U
Yellow	Motor V
Blue	Motor W

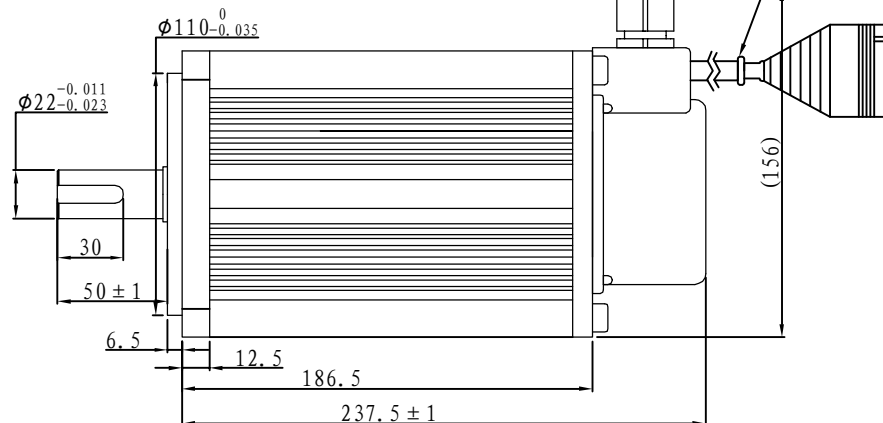
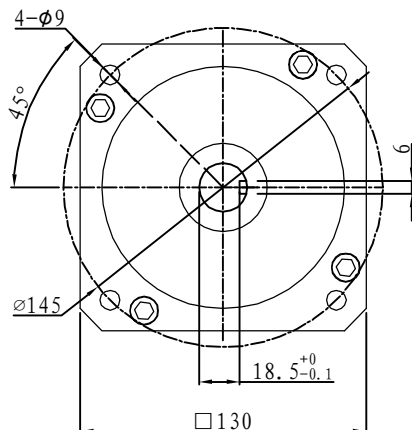
### Feedback Wire

Hall line colour	Hall signal definition	Plug serial number
Orange and black	5V	1
Orange	0V	2
Yellow	Hall A	4
Blue	Hall B	5
Green	Hall C	6

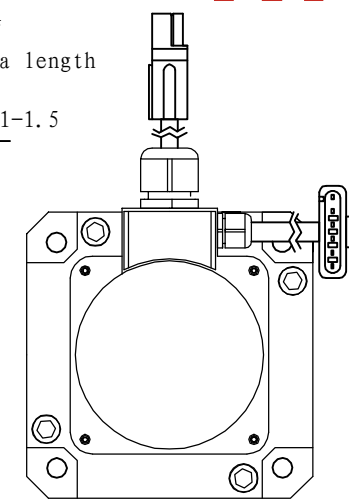
## Tecnichal Data

Type	130WD-M10020-72V
Power (KW)	2.1
Rated voltage (V)	72
Rated current (A)	34.2
Rated speed (rpm)	2000
Rated torque (NM)	10
Rotor inertia (Kgcm <sup>2</sup> )	21.4
Protection rank	IP65
Insulation rank	F
Appropriate environment	Temperature: 0 ~ 50°C Humidity: <90% (No dewdrop)
Motor weight (KG)	12

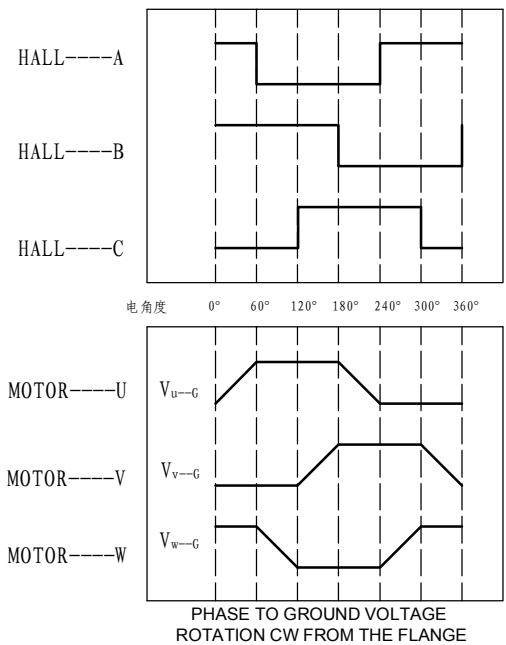
# Demension



Motor power line: a length of 500 mm  
 Plug-in models: SP75-8#  
 Hall signal lines: a length of 500 mm  
 Plug-in type: DJ7061-1.5



# Motor to Hall Relationship



# Line Define

**Power Wire**

Red	Motor U
Yellow	Motor V
Blue	Motor W

**Feedback Wire**

Hall line colour	Hall signal definition	Plug serial number
Orange and black	5V	1
Orange	0V	2
Yellow	Hall A	4
Blue	Hall B	5
Green	Hall C	6

# Tecnichal Data

Type	130WD-M1 0020-96V
Power (KW)	2.1
Rated voltage (V)	96
Rated current (A)	25.7
Rated speed (rpm)	2000
Rated torque (NM)	10
Rotor inertia (Kgcm <sup>2</sup> )	21.4
Protection rank	IP65
Insulation rank	F
Appropriate environment	<b>Temperature: 0 ~ 50°C</b> <b>Humidity: &lt; 90%</b> <b>(No dewdrop)</b>
Motor weight (KG)	12