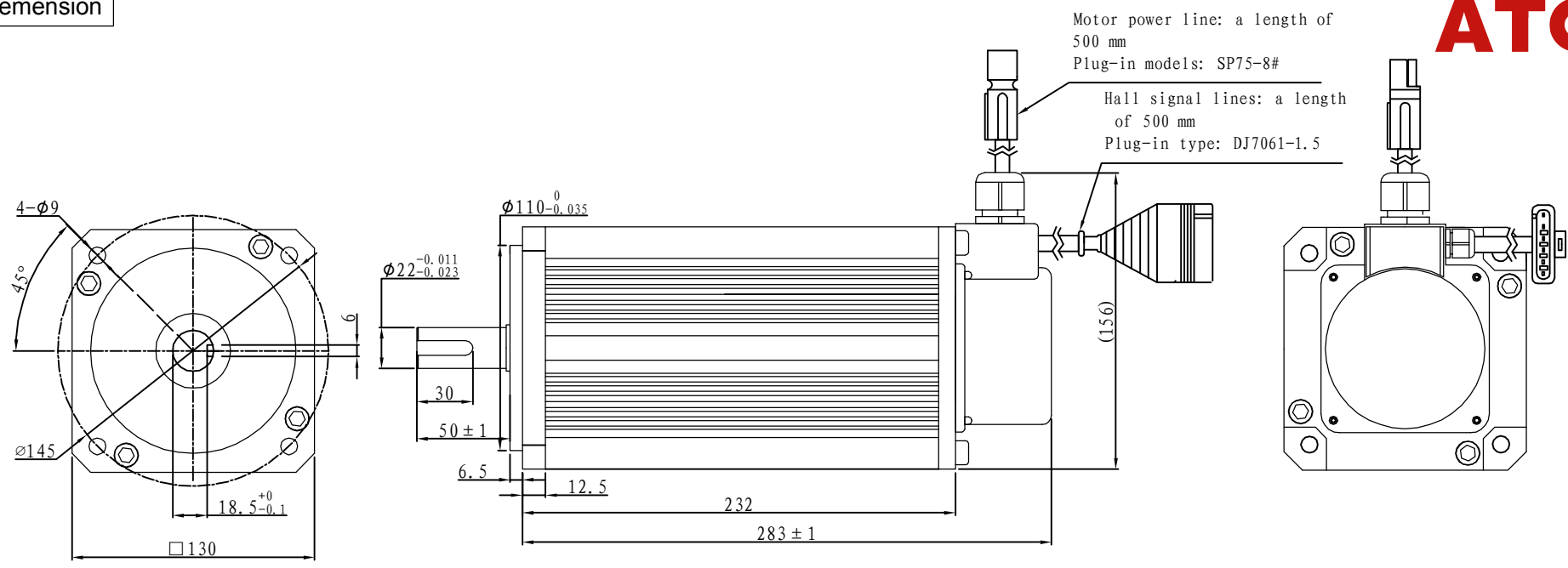
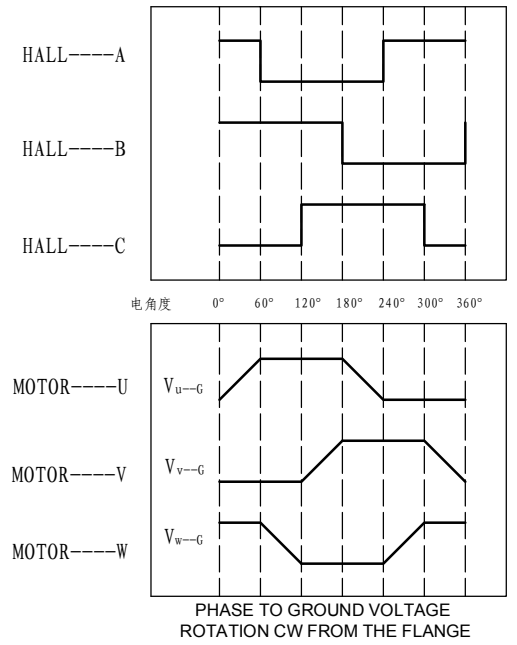


Demension



Motor to Hall Relationship



Line Define

Power Wire

Red	Motor U
Yellow	Motor V
Blue	Motor W

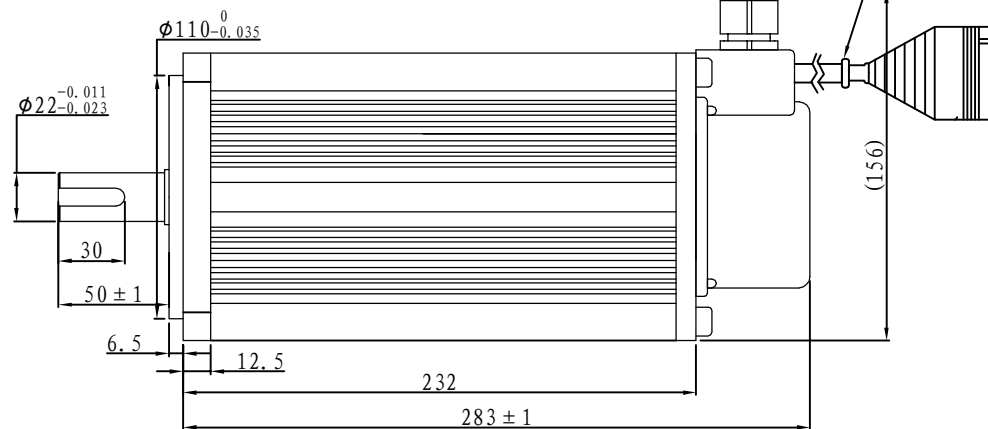
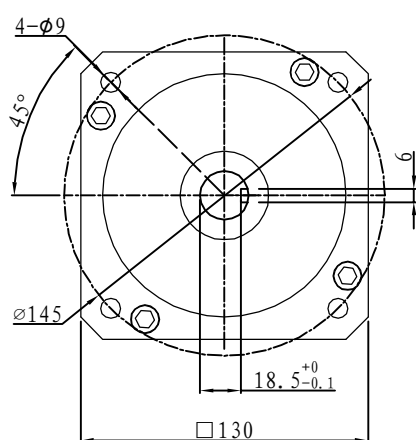
Feedback Wire

Hall line colour	Hall signal definition	Plug serial number
Orange and black	5V	1
Orange	0V	2
Yellow	Hall A	4
Blue	Hall B	5
Green	Hall C	6

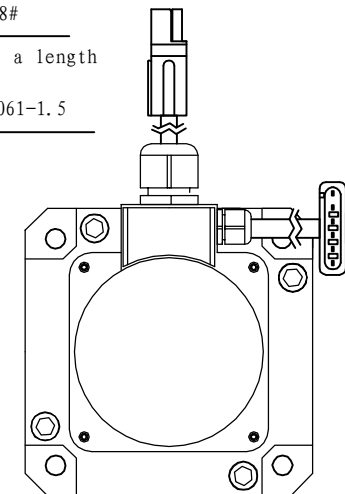
Tecnichal Data

Type	130WD-M15020-48V
Power (KW)	3.1
Rated voltage (V)	48
Rated current (A)	77
Rated speed (rpm)	2000
Rated torque (NM)	15
Rotor inertia (Kgcm ²)	32.4
Protection rank	IP65
Insulation rank	F
Appropriate environment	Temperature: 0~50℃ Humidity: <90% (No dewdrop)
Motor weight (KG)	12

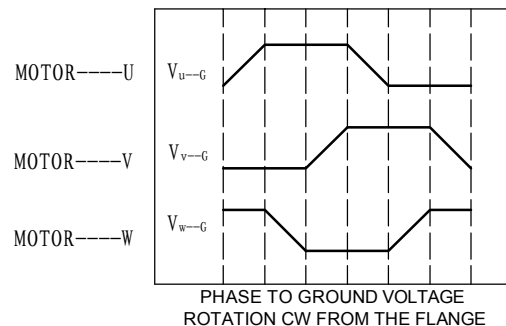
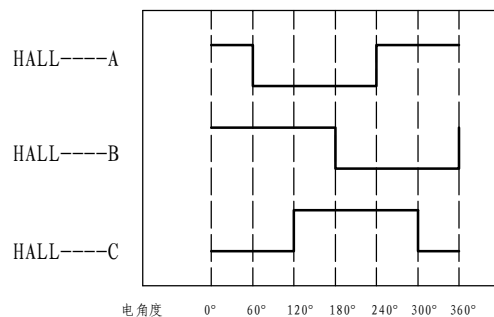
Demension



Motor power line: a length of 500 mm
 Plug-in models: SP75-8#
 Hall signal lines: a length of 500 mm
 Plug-in type: DJ7061-1.5



Motor to Hall Relationship



Line Define

Power Wire

Red	Motor U
Yellow	Motor V
Blue	Motor W

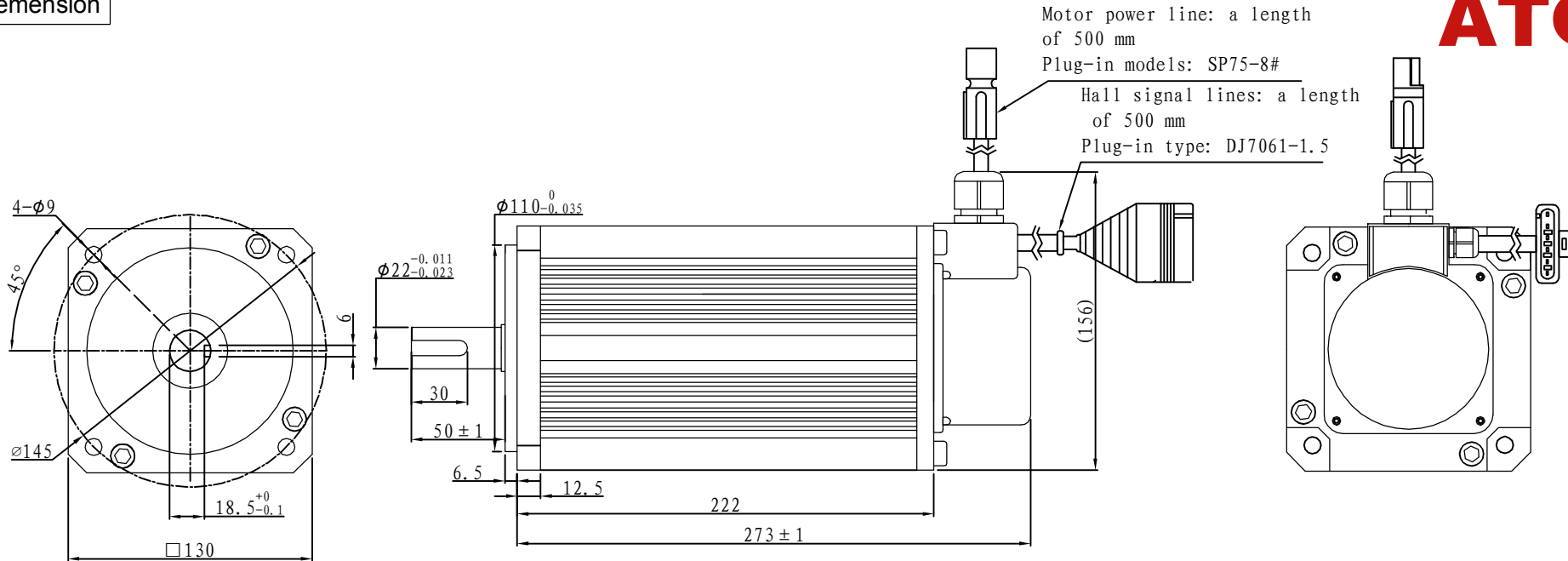
Feedback Wire

Hall line colour	Hall signal definition	Plug serial number
Orange and black	5V	1
Orange	0V	2
Yellow	Hall A	4
Blue	Hall B	5
Green	Hall C	6

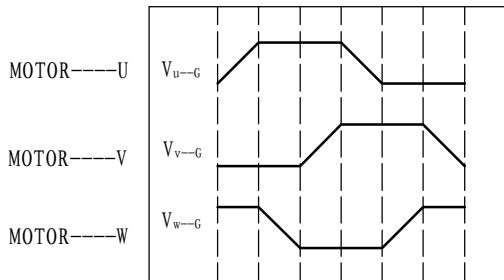
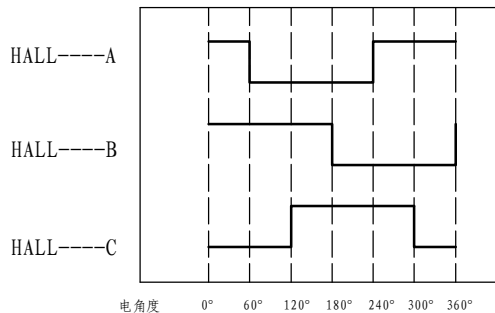
Tecnichal Data

Type	130WD-M15020-72V
Power (KW)	3.1
Rated voltage (V)	72
Rated current (A)	51.3
Rated speed (rpm)	2000
Rated torque (NM)	15
Rotor inertia (Kgc ²)	32.4
Protection rank	IP65
Insulation rank	F
Appropriate environment	Temperature: 0~50°C Humidity: <90% (No dewdrop)
Motor weight (KG)	12

Demension



Motor to Hall Relationship



PHASE TO GROUND VOLTAGE
 ROTATION CW FROM THE FLANGE

Line Define

Power Wire

Red	Motor U
Yellow	Motor V
Blue	Motor W

Feedback Wire

Hall line colour	Hall signal definition	Plug serial number
Orange and black	5V	1
Orange	0V	2
Yellow	Hall A	4
Blue	Hall B	5
Green	Hall C	6

Tecnichal Data

Type	130WD-M15020-96V
Power (KW)	3.1
Rated voltage (V)	96
Rated current (A)	38.5
Rated speed (rpm)	2000
Rated torque (NM)	15
Rotor inertia (Kgcm ²)	32.4
Protection rank	IP65
Insulation rank	F
Appropriate environment	Temperature: 0~50℃ Humidity: <90% (No dewdrop)
Motor weight (KG)	12