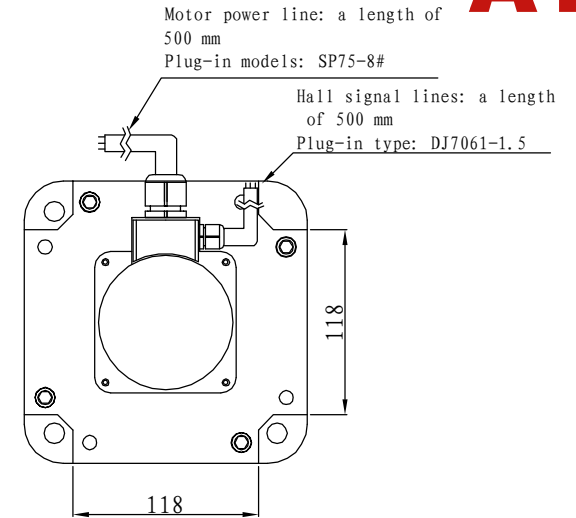
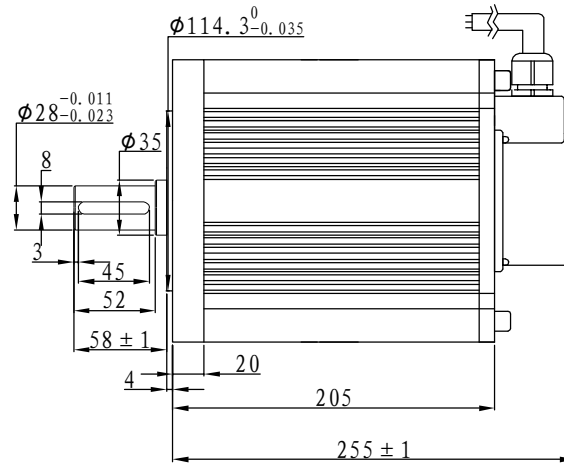
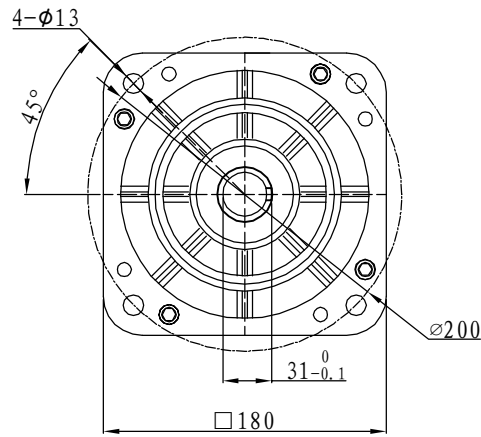
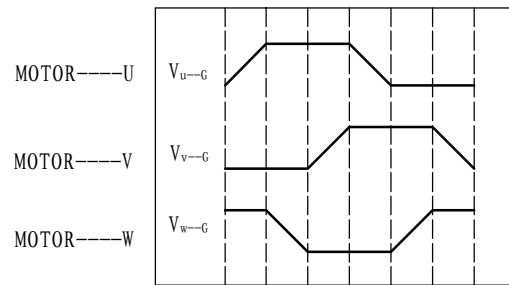
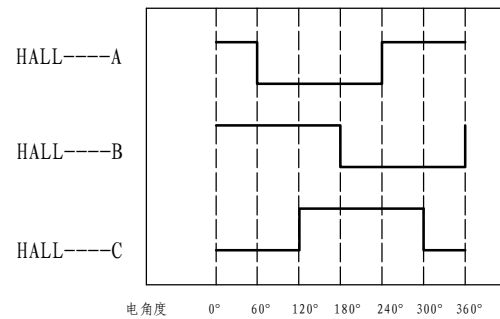


Demension



Motor to Hall Relationship



PHASE TO GROUND VOLTAGE
ROTATION CW FROM THE FLANGE

Line Define

Power Wire

Red	Motor U
Yellow	Motor V
Blue	Motor W

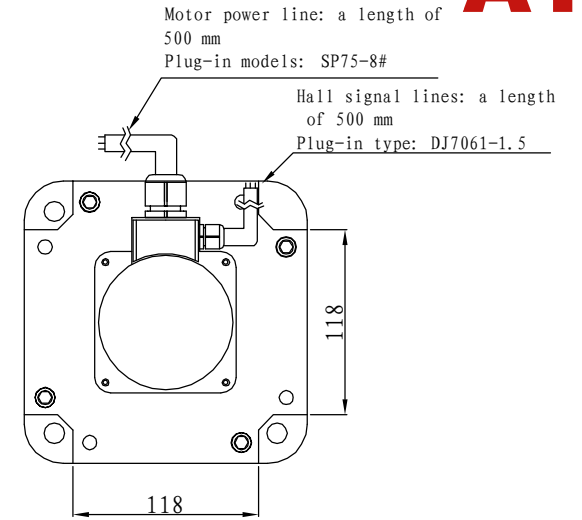
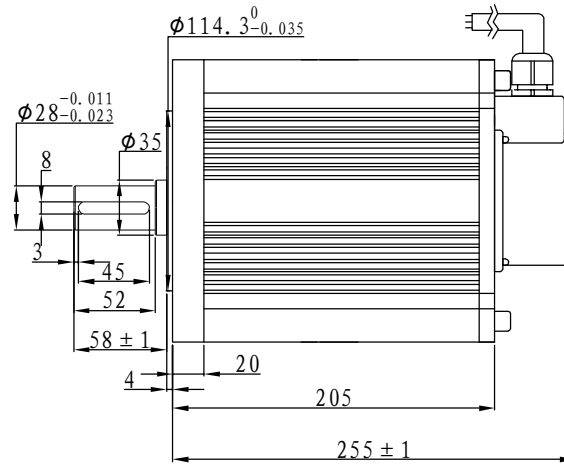
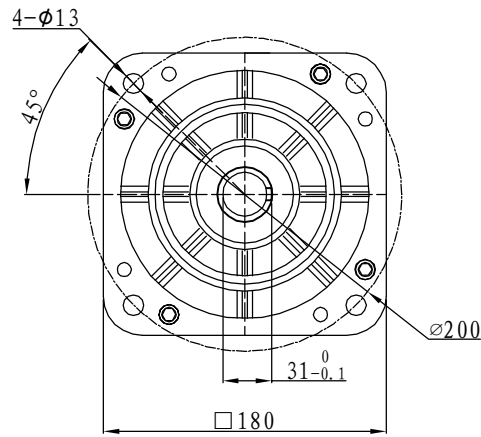
Feedback Wire

Hall line colour	Hall signal definition	Plug serial number
Orange and black	5V	1
Orange	0V	2
Yellow	Hall A	4
Blue	Hall B	5
Green	Hall C	6

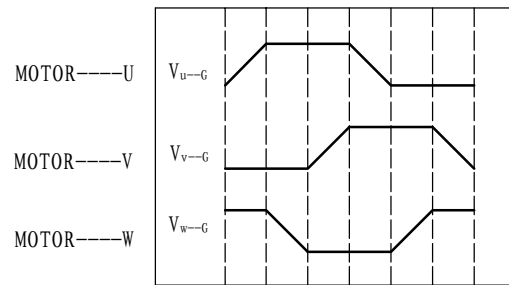
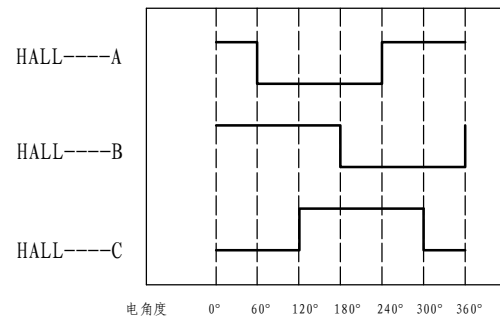
Tecnichal Data

Type	180WD-M12010-48V
Power (KW)	1.3
Rated voltage (V)	48
Rated current (A)	31
Rated speed(rpm)	1000
Rated torque (NM)	12
Rotor inertia (Kgcm ²)	32.6
Protection rank	IP65
Insulation rank	F
Appropriate environment	Temperature: 0 ~ 50°C Humidity: <90% (No dewdrop)
Motor weight (KG)	18.5

Demension



Motor to Hall Relationship



PHASE TO GROUND VOLTAGE
ROTATION CW FROM THE FLANGE

Line Define

Power Wire

Red	Motor U
Yellow	Motor V
Blue	Motor W

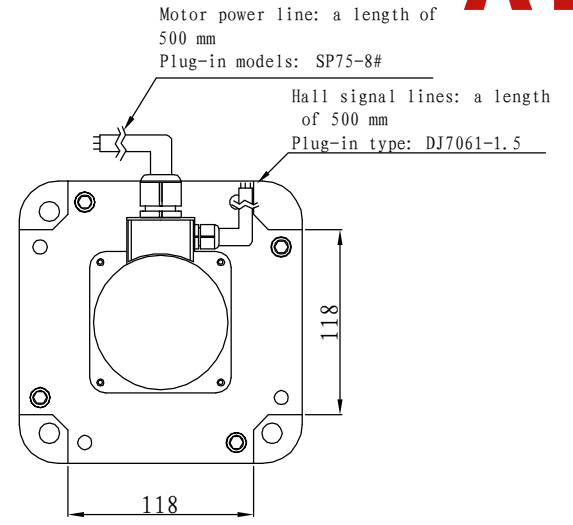
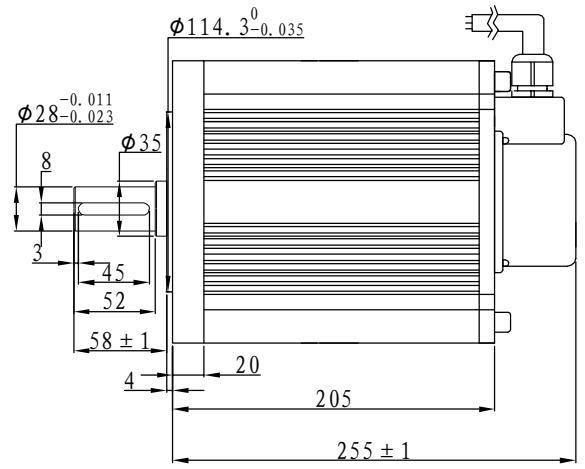
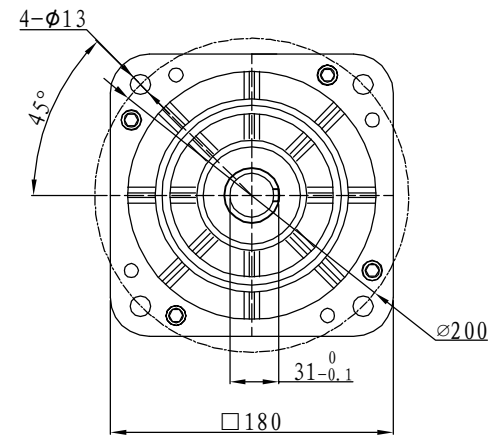
Feedback Wire

Hall line colour	Hall signal definition	Plug serial number
Orange and black	5V	1
Orange	0V	2
Yellow	Hall A	4
Blue	Hall B	5
Green	Hall C	6

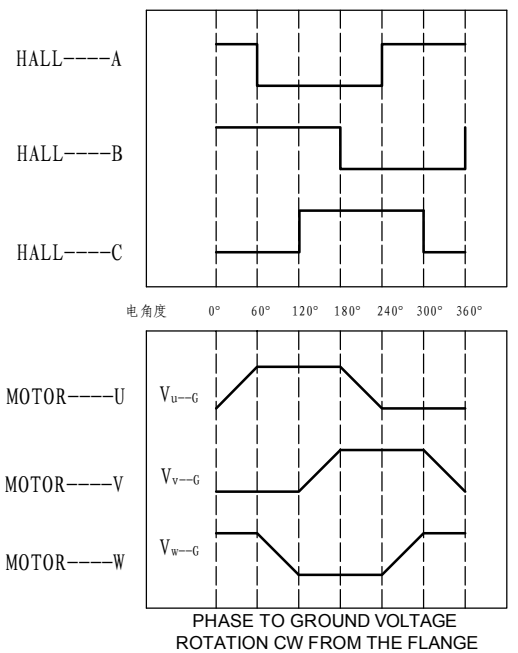
Tecnichal Data

Type	180WD-M12010-72V
Power (KW)	1.3
Rated voltage (V)	72
Rated current (A)	21
Rated speed(rpm)	1000
Rated torque (NM)	12
Rotor inertia (Kgcm ²)	32.6
Protection rank	IP65
Insulation rank	F
Appropriate environment	Temperature: 0~50°C Humidity: <90% (No dewdrop)
Motor weight (KG)	18.5

Demension



Motor to Hall Relationship



Line Define

Power Wire

Red	Motor U
Yellow	Motor V
Blue	Motor W

Feedback Wire

Hall line colour	Hall signal definition	Plug serial number
Orange and black	5V	1
Orange	0V	2
Yellow	Hall A	4
Blue	Hall B	5
Green	Hall C	6

Tecnichal Data

Type	180WD-M12010-96V
Power (KW)	1.3
Rated voltage (V)	96
Rated current (A)	15
Rated speed(rpm)	1000
Rated torque (NM)	12
Rotor inertia (Kgcm ²)	32.6
Protection rank	IP65
Insulation rank	F
Appropriate environment	Temperature: 0 ~ 50°C Humidity: <90% (No dewdrop)
Motor weight (KG)	18.5