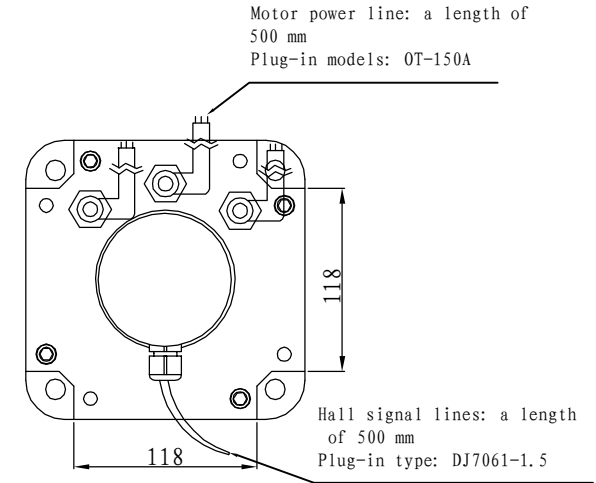
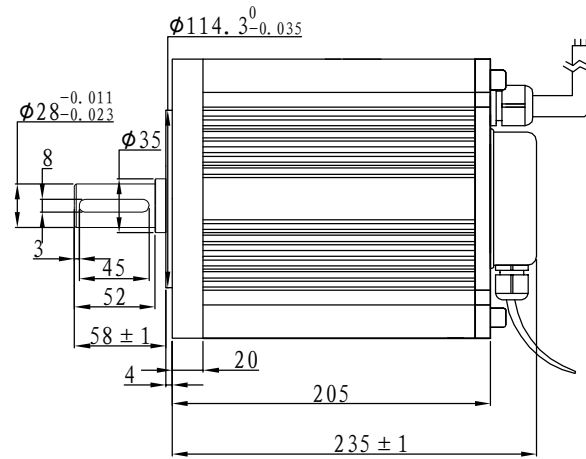
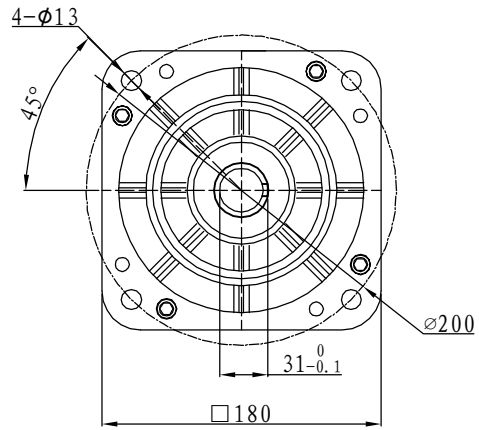
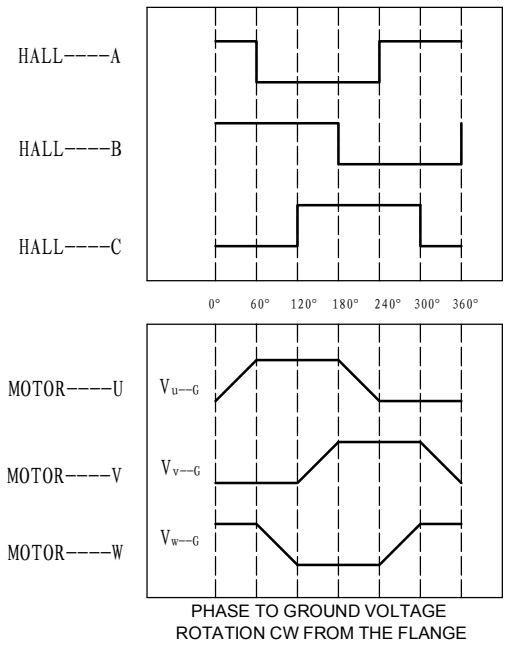


Demension



Motor to Hall Relationship



Line Define

Power Wire	
Red	Motor U
Yellow	Motor V
Blue	Motor W

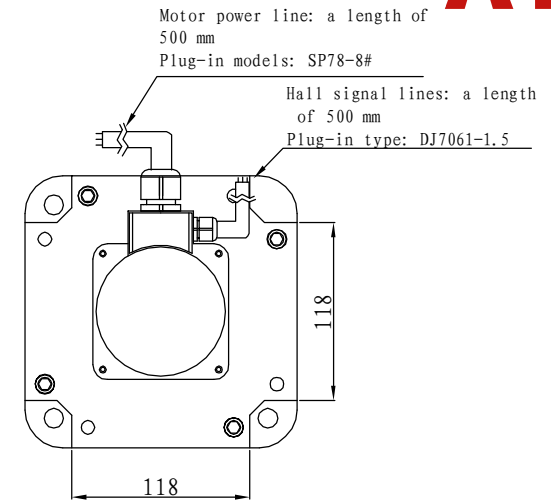
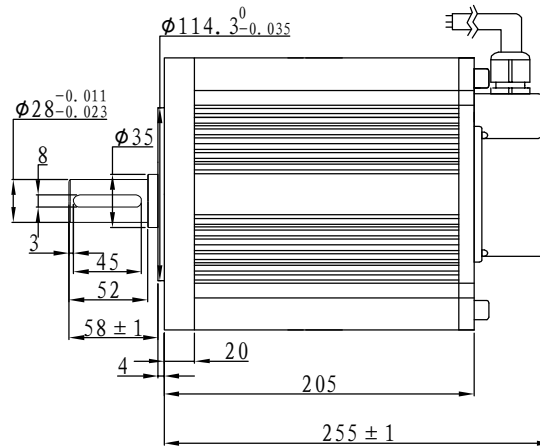
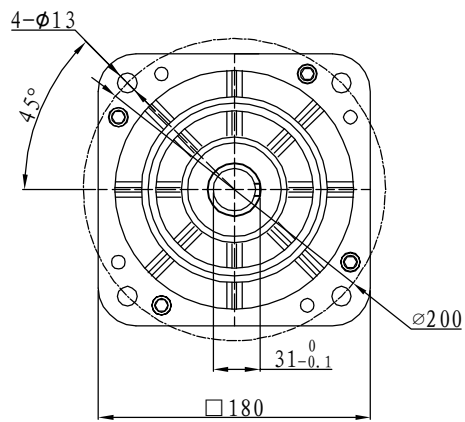
Feedback Wire

Hall line colour	Hall signal definition	Plug serial number
Orange and black	5V	1
Orange	0V	2
Yellow	Hall A	4
Blue	Hall B	5
Green	Hall C	6

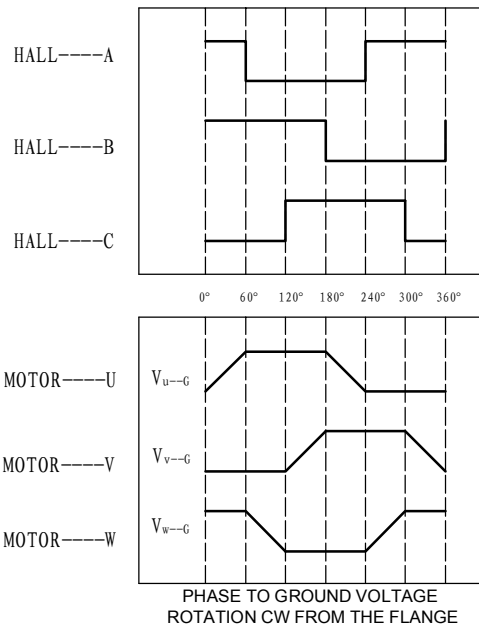
Tecnichal Data

Type	180WD-M12030-48V
Power (KW)	3.8
Rated voltage (V)	48
Rated current (A)	92
Rated speed (rpm)	3000
Rated torque (NM)	12
Rotor inertia (Kgcm ²)	38
Protection rank	IP65
Insulation rank	F
Appropriate environment	Temperature: 0 ~ 50°C Humidity: <90% (No dewdrop)
Motor weight (KG)	18.6

Demension



Motor to Hall Relationship



Line Define

Power Wire

Red	Motor U
Yellow	Motor V
Blue	Motor W

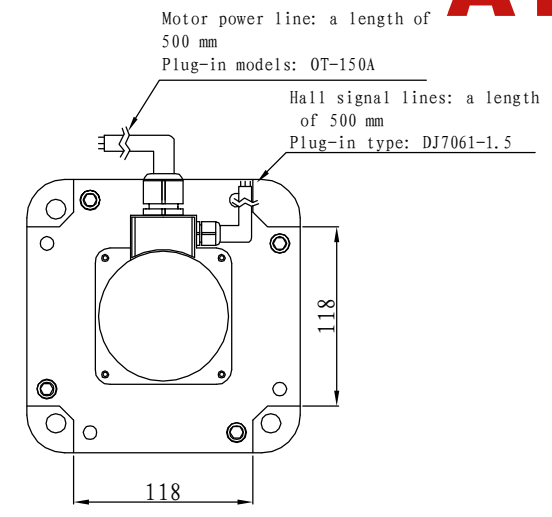
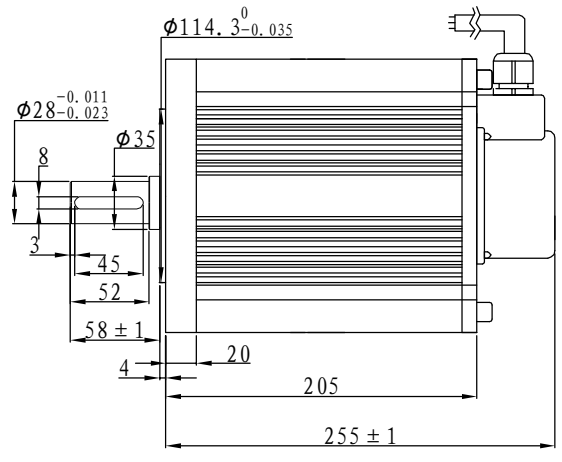
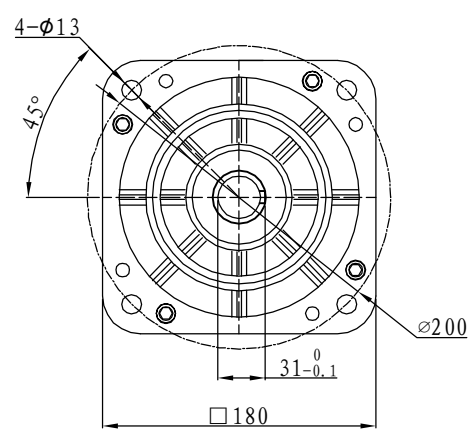
Feedback Wire

Hall line colour	Hall signal definition	Plug serial number
Orange and black	5V	1
Orange	0V	2
Yellow	Hall A	4
Blue	Hall B	5
Green	Hall C	6

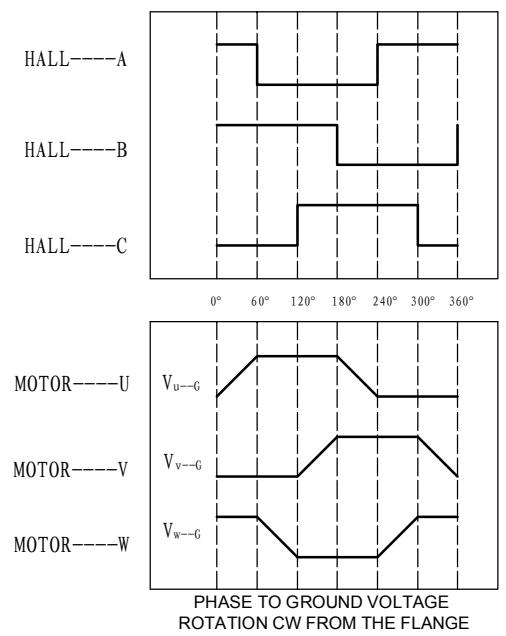
Tecnichal Data

Type	180WD-M12030-72V
Power (KW)	3.8
Rated voltage (V)	72
Rated current (A)	62
Rated speed (rpm)	3000
Rated torque (NM)	12
Rotor inertia (Kgcm ²)	32.6
Protection rank	IP65
Insulation rank	F
Appropriate environment	Temperature: 0~50℃ Humidity: <90% (No dewdrop)
Motor weight (KG)	18.5

Demension



Motor to Hall Relationship



Line Define

Power Wire

Red	Motor U
Yellow	Motor V
Blue	Motor W

Feedback Wire

Hall line colour	Hall signal definition	Plug serial number
Orange and black	5V	1
Orange	0V	2
Yellow	Hall A	4
Blue	Hall B	5
Green	Hall C	6

Tecnichal Data

Type	180WD-M12030-96V
Power (KW)	3.8
Rated voltage (V)	96
Rated current (A)	46
Rated speed (rpm)	3000
Rated torque (NM)	12
Rotor inertia (Kgcm ²)	32.6
Protection rank	IP65
Insulation rank	F
Appropriate environment	Temperature: 0 ~ 50°C Humidity: <90% (No dewdrop)
Motor weight (KG)	18.5