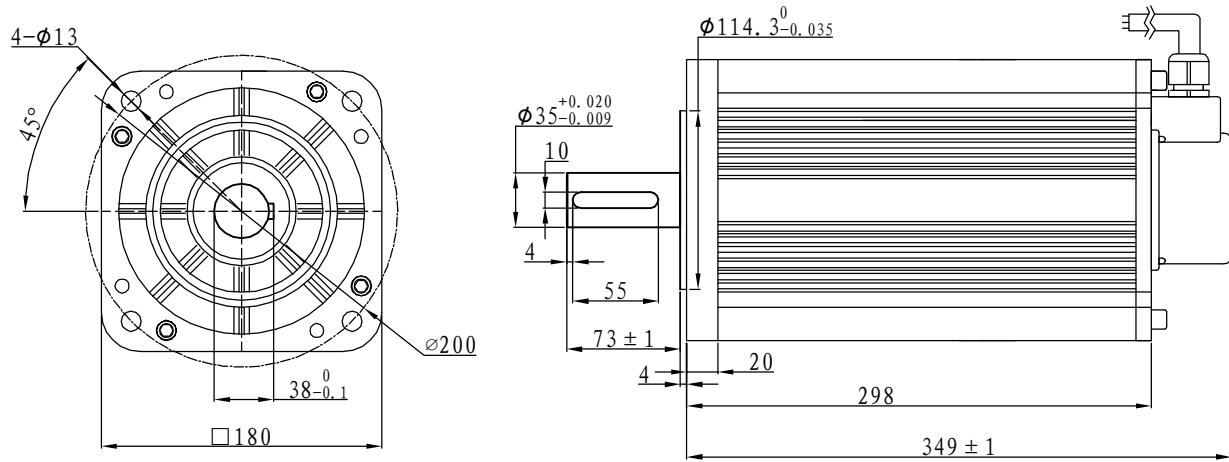
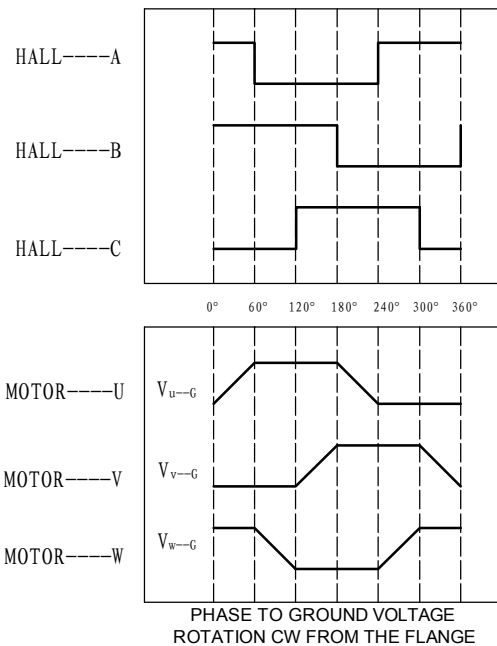


## Demension



Motor power line: a length of 500 mm  
 Plug-in models: 0T-150A  
 Hall signal lines: a length of 500 mm  
 Plug-in type: DJ7061-1.5

## Motor to Hall Relationship



## Line Define

### Power Wire

Red	Motor U
Yellow	Motor V
Blue	Motor W

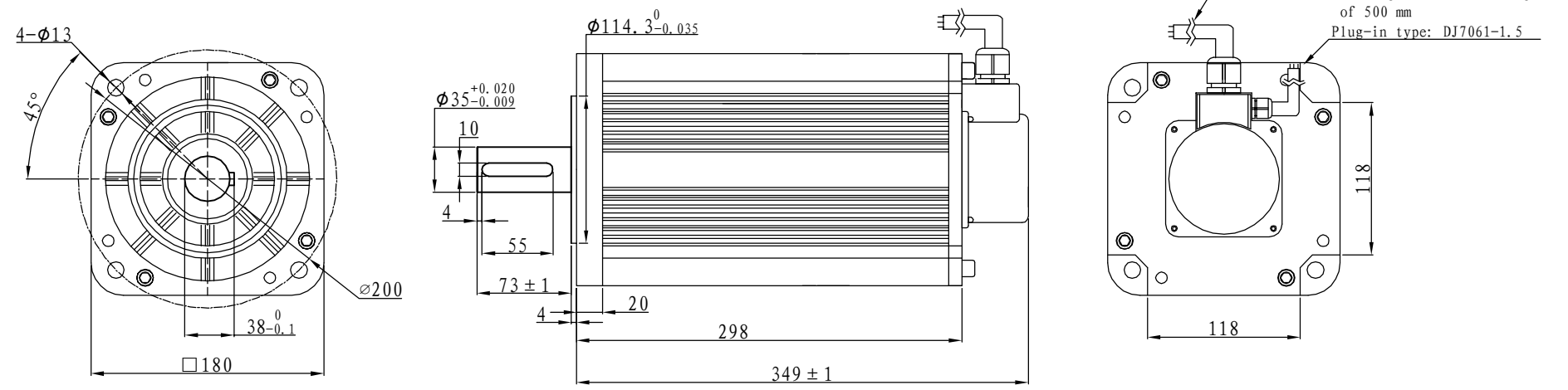
### Feedback Wire

Hall line colour	Hall signal definition	Plug serial number
Orange and black	5V	1
Orange	0V	2
Yellow	Hall A	4
Blue	Hall B	5
Green	Hall C	6

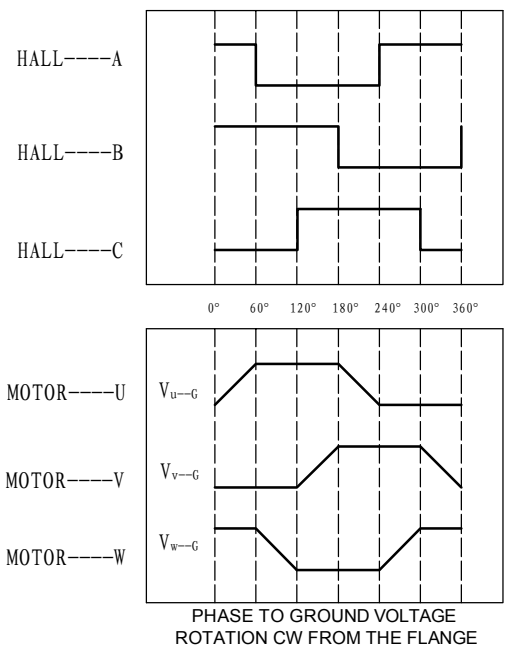
## Tecnichal Data

Type	180WD-M36030-72V
Power (KW)	11.3
Rated voltage (V)	72
Rated current (A)	185
Rated speed (rpm)	3000
Rated torque (NM)	36
Rotor inertia (KgcM2)	148
Protection rank	IP65
Insulation rank	F
Appropriate environment	Temperature: 0 ~ 50°C Humidity: < 90% (No dewdrop)
Motor weight (KG)	30

## Demension



## Motor to Hall Relationship



## Line Define

**Power Wire**

Red	Motor U
Yellow	Motor V
Blue	Motor W

**Feedback Wire**

Hall line colour	Hall signal definition	Plug serial number
Orange and black	5V	1
Orange	0V	2
Yellow	Hall A	4
Blue	Hall B	5
Green	Hall C	6

## Tecnichal Data

Type	180WD-M36030-96V
Power (KW)	11.3
Rated voltage (V)	96
Rated current (A)	139
Rated speed (rpm)	3000
Rated torque (NM)	36
Rotor inertia (Kgcm <sup>2</sup> )	148
Protection rank	IP65
Insulation rank	F
Appropriate environment	Temperature: 0 ~ 50°C Humidity: < 90% (No dewdrop)
Motor weight (KG)	30