

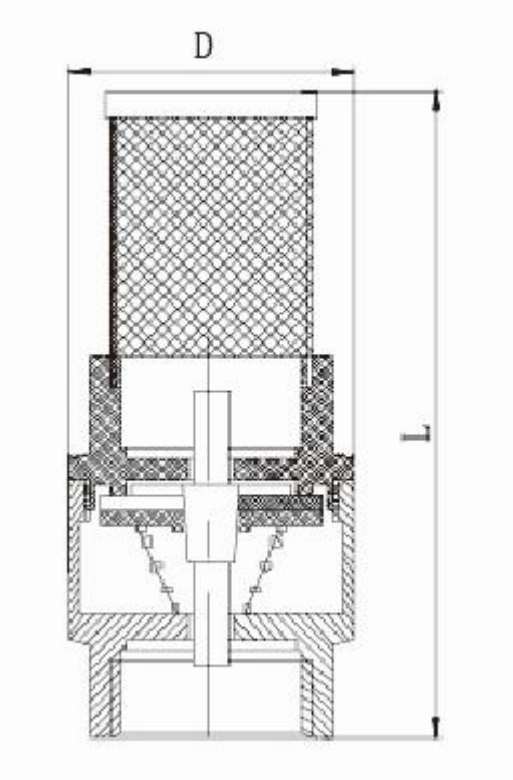
Brass Foot Valve

Specifications

Model	ATO-SS6060
Nominal Diameter	1/2 inch - 2 inch
Drive Mode	Hydraulic Control
Working Pressure	1.6 MPa
Material	Brass Valve Body/Stainless Mesh Filter/Plastic Valve Core
Connection Form	Internal Thread
Thread Standard	ISO228
Shape	Lifting
Temperature Range	-20°C≤T≤100°C
Working Medium	Water, Oil

Note: Although the foot valve is equipped with an anti-clogging filter, it is generally suitable for clean media, not for media with high viscosity and large particle sizes.

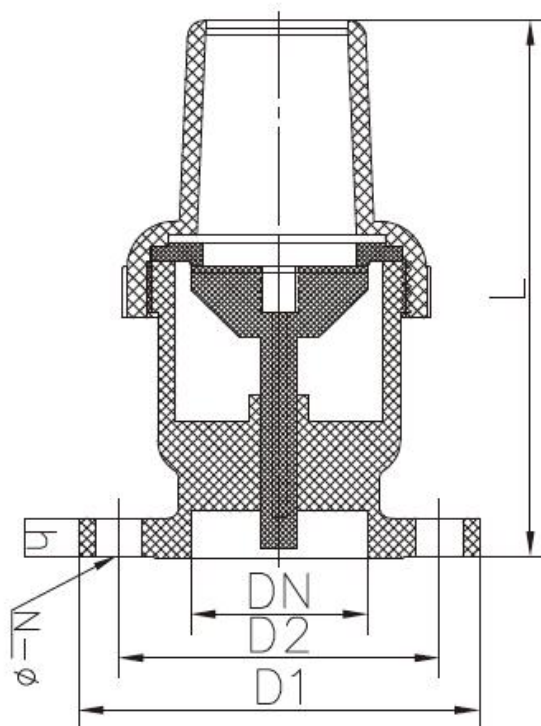
Dimensions (Unit: mm)

	SIZE	DN	L	D	Weight
		1/2"	15	65	30
	3/4"	20	69	35.5	94g
	1"	25	77	42	110g
	1-1/4"	32	100	54	235g
	1-1/2"	40	110	64	337g
	2"	50	132	74	495

Specifications

Model	ATO-H42F-10S
Nominal Diameter	1/2 inch - 8 inch
Type	Foot Valve
Working Pressure	10kg/16kg
Body Material	UPVC
Connection Form	Flange
Thread Standard	ISO228

Dimensions (Unit: mm)



Size	DN	D1	D2	L	h	N- φ	Weight (Kg)
1/2"	15	105	65	140	15	4- φ 17x20	0.5
3/4"	20	105	75	168	16	4- φ 17x20	0.49
1"	25	115	85	189	16	4- φ 17x20	0.6
1-1/4"	32	135	100	210	18	4- φ 17x20	0.88
1-1/2"	40	145	110	238	18	4- φ 17x20	1
2"	50	160	125	215	17	4- φ 17x20	1.2
3"	80	192	160	265	21	8- φ 18x20	2.15
4"	100	220	180	315	23	8- φ 18x20	3.25
5"	125	250	210	335	31	8- φ 19	7.25
6"	150	282	240	335	31	8- φ 21	7.6
8"	200	335	295	380	32	8- φ 23	11