



USB TYPE-C
CP-2000SE

SMALL | PORTABLE | ACCURATE

PRODUCT PARAMETER:

PRODUCT NAME: CP2000SE button type handheld printer

SIZE: about 209mm(length) x 113.5mm(height) x 75mm(width)

WEIGHT: about 440g(including cartridge and battery)

TYPEFACE: Highly legible typeface

PRINT LINES: 1 to 4 lines

PRINT GRAPHICS: The device can print almost all kinds of trademarks and graphics

PRINT ACCURACY: 4 gray scales between 300dpi and 600dpi

PRINT LINES: 1 to 4lines,and it can be adjusted.

PRINT HEIGHT: 3-12.5mm(The required height can be available between the range by adjusting the print set)

PRINT DISTANCE:2-5mm(the distance between the print nozzle and the object that needs printing)

PRINT DIRECTION:Print within 360 degree

PRINT CODE TYPE: Bar code and 2-demention code

PRINT INK TYPE: Waterbased ink, solvent ink(Waterbased ink is suitable for printing on the hydrocopicity material such as paper and carton etc.; Solvent ink is used for printing on plactic.glass.metal. tubular product. stone product.wood plate.fiber board.aluminium foil.cable and film etc.

INFORMATION CONTENT IN STORAGE: 50

PRINT SPEED: the highest speed can be 50meter/minute(continous printing)

EXTERNAL INLET: USB inlet(type-c)

CONTROL PANEL: Keyboard

MACHINE WEIGHT: about 300g(excluding the cartridge)

SYSTEM POWER CONSUMPTION: average power consumption is below 1w

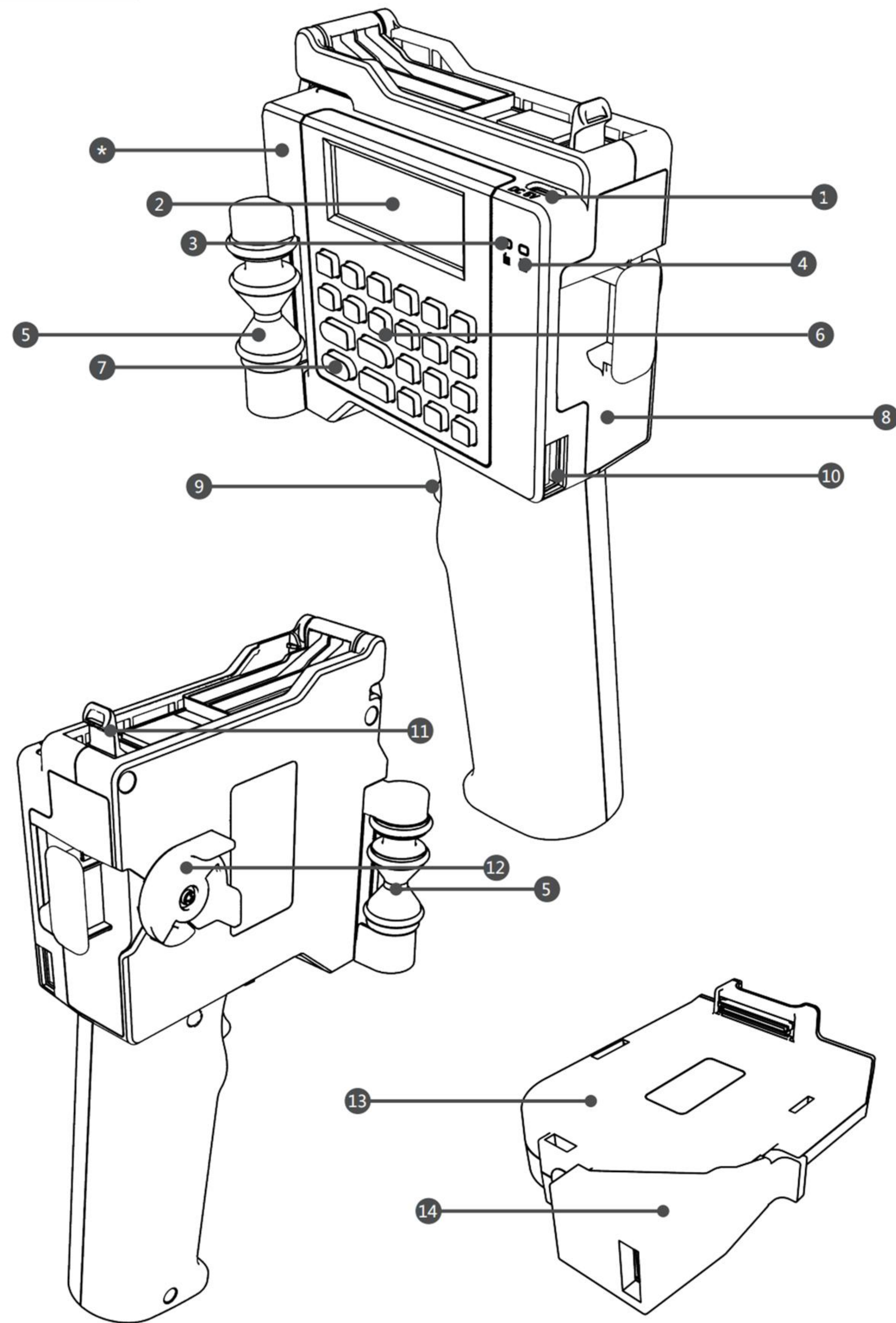
ENVIRONMENT TEMPERATURE AND HUMIDITY: 1. Environment temperature: 0°C~40°C; 2. Environment humidity: 10%~80%.

MATERIAL: wood board. carton. stone. fiber board.steel. tube.pipe.metal.plastic.aluminium foil,and cable etc.

POWER SUPPLY PARAMETER: 1.DC5V-2A;2. Lithium battery;3.The lithium can keep the machine standing by for over 30 days,and printing for 24 hours.

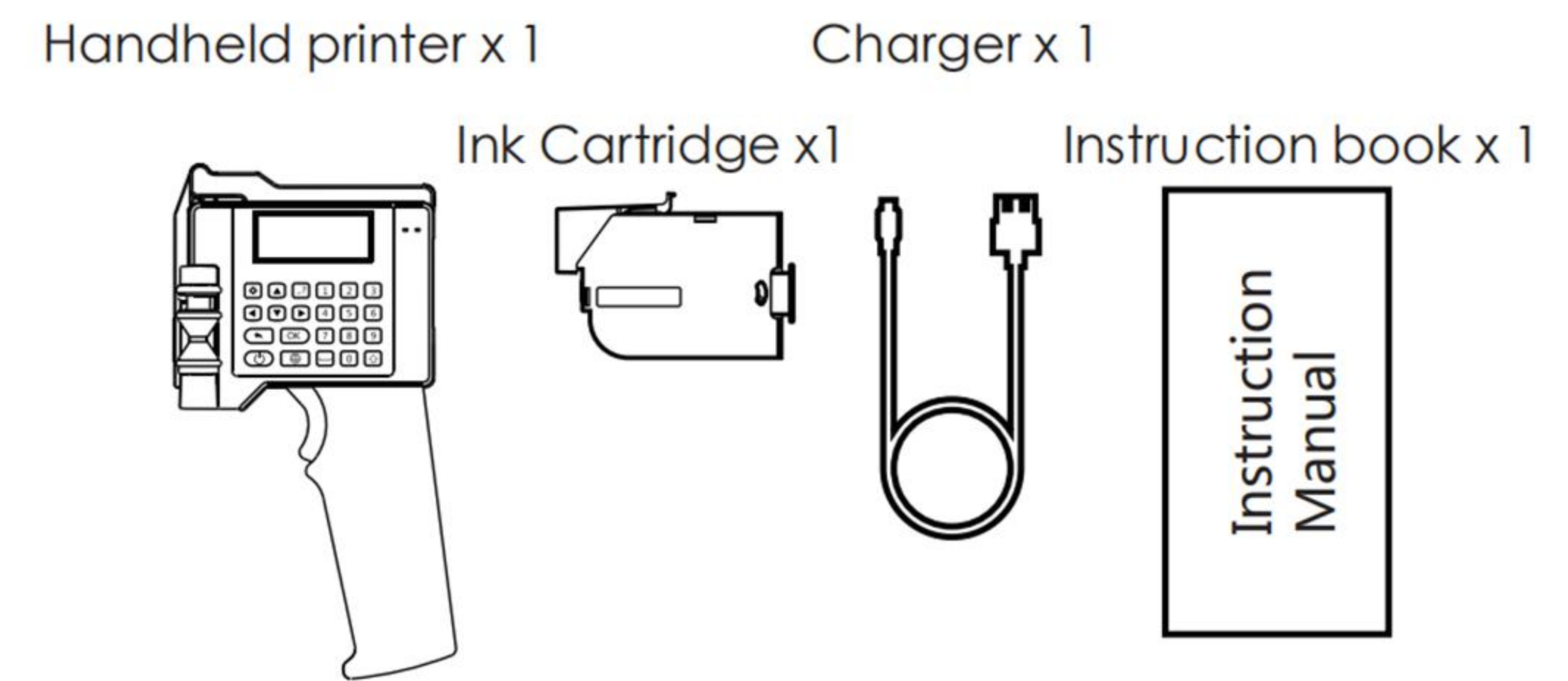
INK COLOUR:black,red,blue,green,yellow,and white

PRODUCT DIAGRAM:



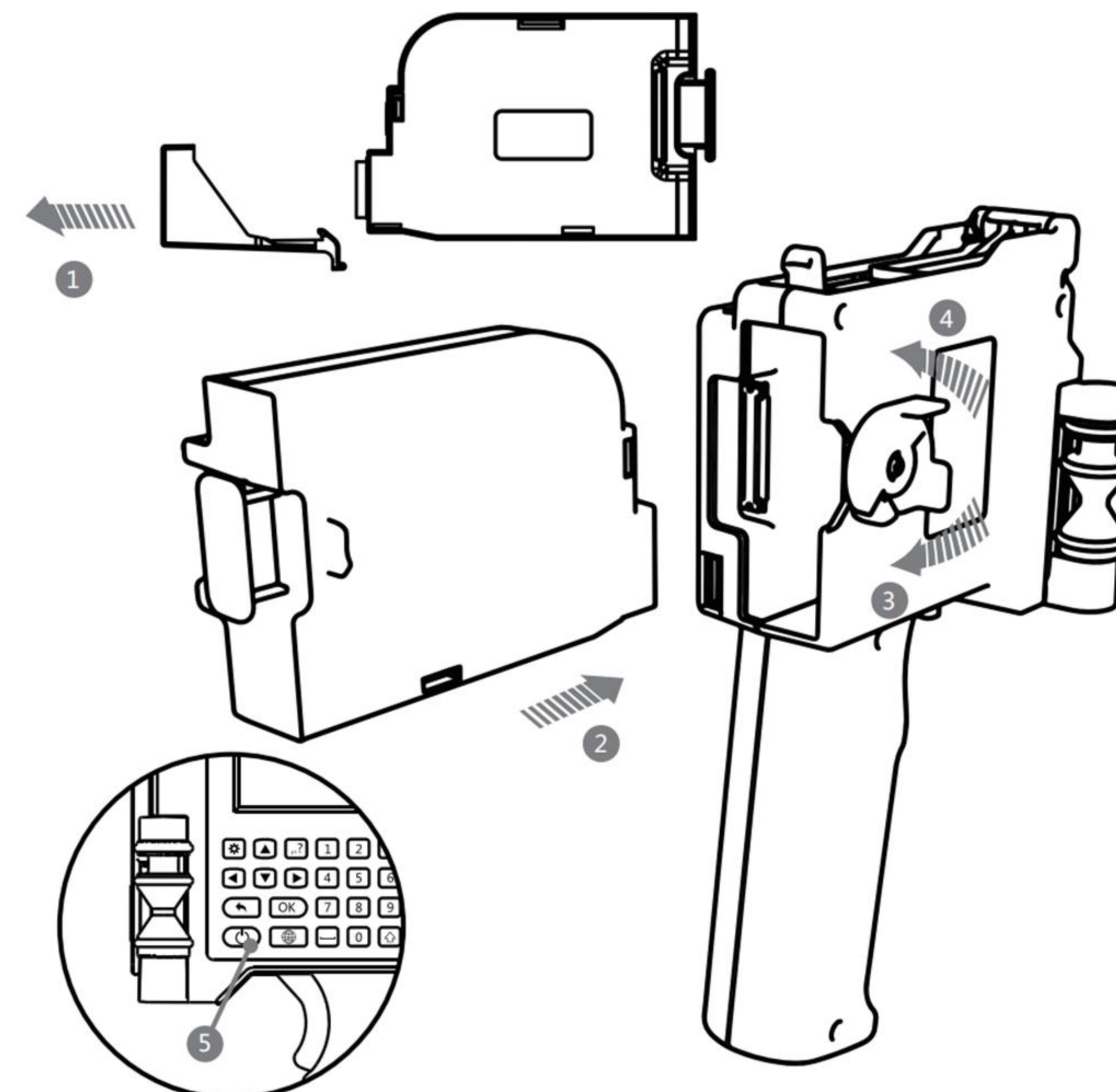
No.	Name	No.	Name
1	USB TYPE-C inlet(Only for charging)	8	Inlet for inserting cartridge
2	Screen	9	Print switch
3	Charging indicator	10	USB inlet (Reserved)
4	Blue tooth indicator	11	Cover for printer nozzle
5	Printer Roller	12	Knob lock for cartridge
6	Keyboard	13	Cartridge
7	Power button/ Power indicator	14	Cover for cartridge
*	复位键 Reset button		

EQUIPMENT LIST OF THE WHOLE MACHINE:



OPERATION INSTRUCTIONS:

1. Take off the protective cover from the ink cartridge.
2. Turn the knob lock to make the cartridge nozzle unlocked, then, insert the cartridge into the machine from the preserved inlet for the cartridge.
3. When the cartridge is installed, screw the knob lock to fix the cartridge.
4. Turn the nozzle cover from the nozzle to the machine top, revealing the cartridge nozzle.
5. Press the machine power button to power on.



Panel icon description

- (4) Switch button: Switch input method (NUM: Number, EN: English)
- (5) Symbol button: Symbol input (punctuation/parenthesis/math symbols /NO. symbols)
- (6) Number button: Number, English
- (7) Directional button: Move
- (8) Space button: Space input
- (9) Shift button: Switch the capitalization of English letters

Introduction of Operation

1. Bluetooth connecting

Please press the "Shift" and "Setting" button together.
Turn on/turn off bluetooth mode.

2. Content/QR code/Barcode setting

Please press the "Shift" and "Symbol" button together.
Switch information type: Content, QR code, Bar code.

3. Switch current file

Please press the "Shift" and Up/Down button.
One file includes two editing area.

4. Switch information editing area

Please press the Shift and Left / Right button.
* In one editing area, cannot include Content, QR code, Bar code in one area.
If you want to print Content and QR/Barcode together, you can edit 2nd editing area in same file.

5. Current time printing

Please press "Shift" and "Switch" Button. It will print current time
*Y/M/D h:m:s: Y=Year, M=Month, D=Date, h:Hour, m: minute, s: second. If you want to print date only, you can delete the h/m/s.

6. Printing content size

- ① Please press "Shift" and "Space" button at same time. You can choose the font size.
 - ② Please press "Setting" button >>"Content">>"Font size"
- * Font size: Auto/XS/S/M/L/XL selectable

7. Content type

- ① Please press "Shift" and "0" button. Quickly switch font type, bar code type.
 - ② Please press "Setting" button >>"Content">>"Font type"
- Font type: Song(CN)/Bold/5dot/7dot/9dot/11dot/16dot/24dot/32dot

Introduction of Operation

8. Printing direction

Press "Setting" button >> Choose "Content-T1", press "Enter" >> "Turn font"
*0°: horizontal printing;
90°: vertical printing.

9. Word spacing

- ① Press "Space" button directly.
- ② Press "Setting" button >>"Content">>"Word spacing"

WARRANTY CARD AND MAINTENANCE LIST

WARRANTY CARD

1. Warranty: 12 months. During the warranty period, all maintenance is free. The consumable parts are not under the warranty.
2. The following cases are not under the warranty:
 - (1) The damage caused by the manipulation/maintenance/storage that hasn't follow the operation instructions;
 - (2) Dismantling the machine by unauthorized maintenance part;
 - (3) Without warranty card, or unauthorized modification of a warranty card;
 - (4) The model No. is not in conformity with the product;
 - (5) Damage caused by force majeure;
 - (6) Damages stipulated in other agreement;
 - (7) The consumable parting is not from our company.

Customer info:
Machine model No.:
Machine No.:
Customer name:
Contact tel.:

Manufacturer info:
Company name:
Mailing address:
Contact:
Contact tel.:

Warranty period: ___(year)___(month)___(date)
to ___(year)___(month)___(date)

Signature and stampage from manufacturer

(Please keep the warranty card and show it to the maintenance part for efficient service)

Note:

1. Please shake the ink cartridge before use,
2. When the ink cartridge is placed separate, please cover the head of ink cartridge. Otherwise, the ink cartridge couldn't use because of the nozzle clogging.
3. While editing the information, setting the machine or not using the printer, please cover the head of nozzle. Otherwise, the ink cartridge couldn't use because of the nozzle clogging.
4. When you load or unload the cartridge, please make sure the printer is turned off.
5. The ink cartridge is consumable. Its expired time is 6 months. The ink cartridge is not covered under warranty.
6. The DRV mode must be Synchronizer. Settings section has been set up in advance. Please don't change the system setting.

Easy Operation: Bluetooth connection

More intelligent, much easier

1. Contact us for QR code to download the APP.
2. Turn on the printer, press & button to "Bluetooth loading".
3. Turn on bluetooth from your phone, choose "PT2000_SE_5634" *please check the number on printer.
4. Click the "+" button, input the content, Click the button.
5. Click the printing button, It will show the window. Click "Print"/"cancel".
6. Click Printing button.

Note: If you want to operate on the button key board directly, please click "setting" & "Shift" button.

Easy Operation Direct photo import

Take photo(or Select from album)->Adjust print area->Print

