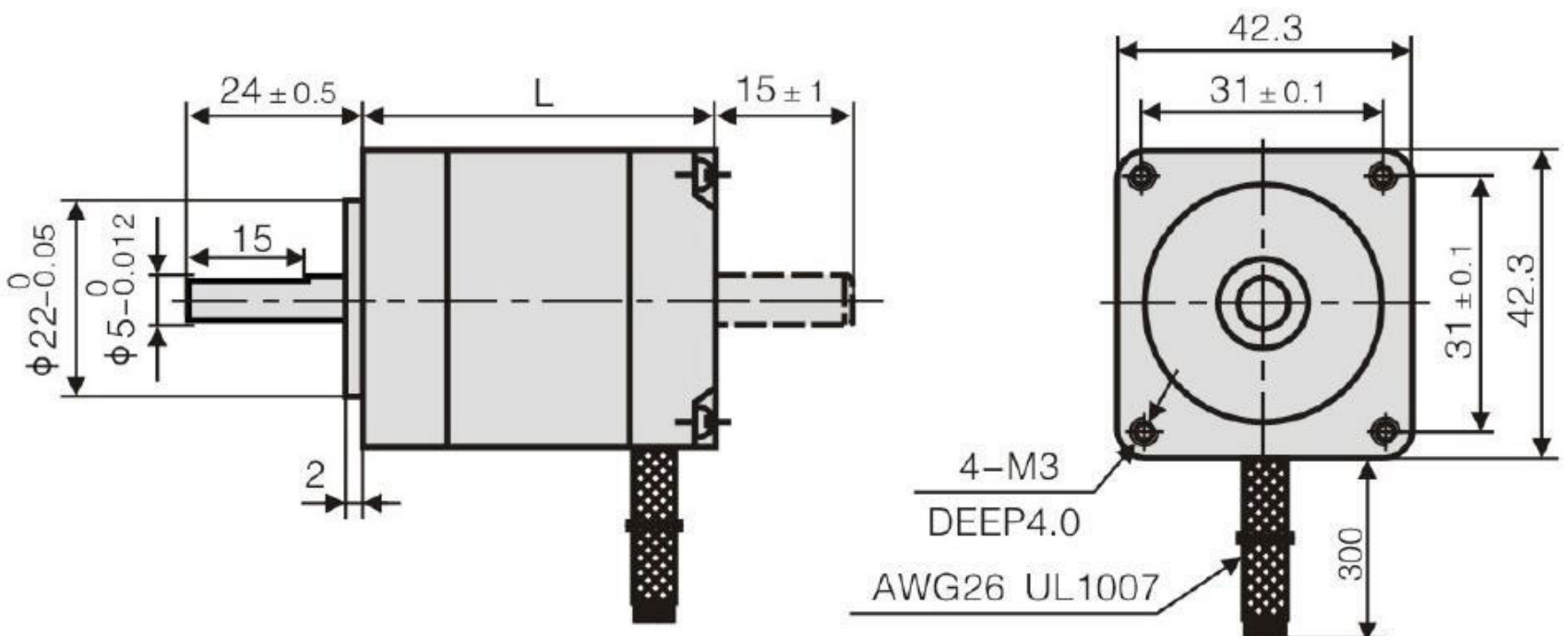


## Specification

Model	ATO-FY42EX080A
Step Angle	1.8°
Flanged Size	42 x 42mm (Nema 17)
Motor Length	30mm
Shaft Diameter	5mm
Rated Current	0.8A
Holding Torque	16 N·cm (0.16 N·m, 23 Oz.in)
Phase Resistance	3.8Ω
Phase Inductance	4.5mH
Rotor Inertia	30g·cm <sup>2</sup>
Lead Wires	4 Wire
Step Angle Accuracy	±5% (Full Step, No Load)
Resistance Accuracy	±10% (20°C)
Inductance Accuracy	±20% (1KHz)
Temperature Rise	80°C Max. (rated current, 2 phase on)
Ambient Temperature	-20°C~+50°C
Insulation Resistance	100MΩ Min. 500VDC
Dielectric Strength	1Min. 500VAC
Shaft Radial Play	0.02Max. 450g Load
Shaft Axial Play	0.08Max. 450g Load
Radial Max. Load	28N
Axial Max. Load	10N
Weight	0.20kg
Warranty Period	12 months
Certificate	CE, ROHs, FCC

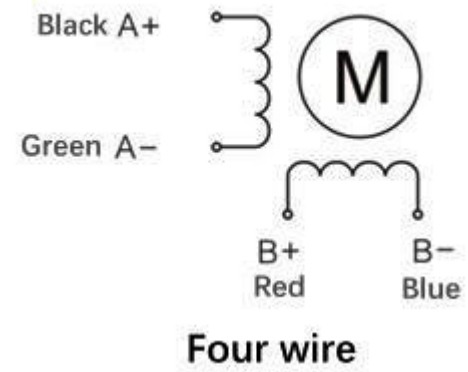
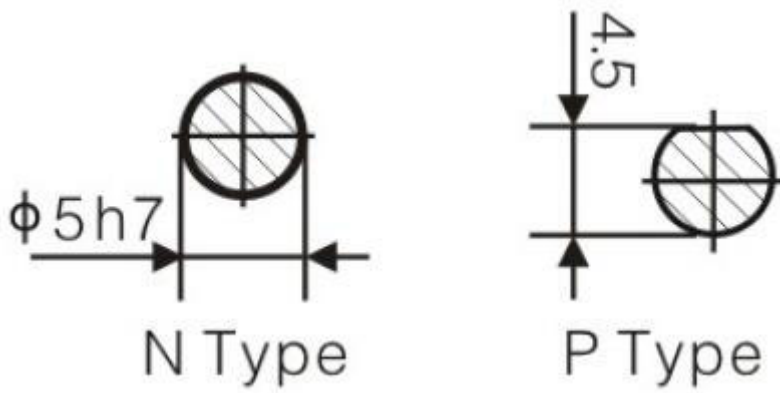
## Dimension (mm)



L=30mm

## Shaft Type

## Wiring Diagram



## Speed-Torque Curve Diagram

