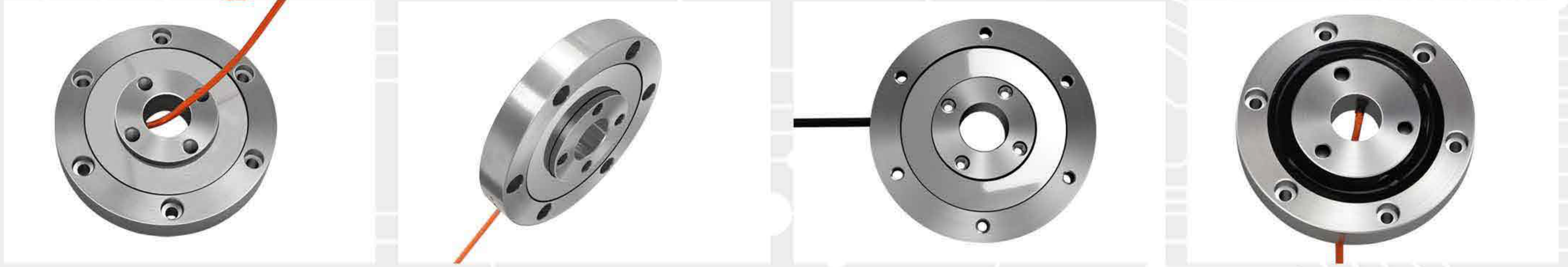


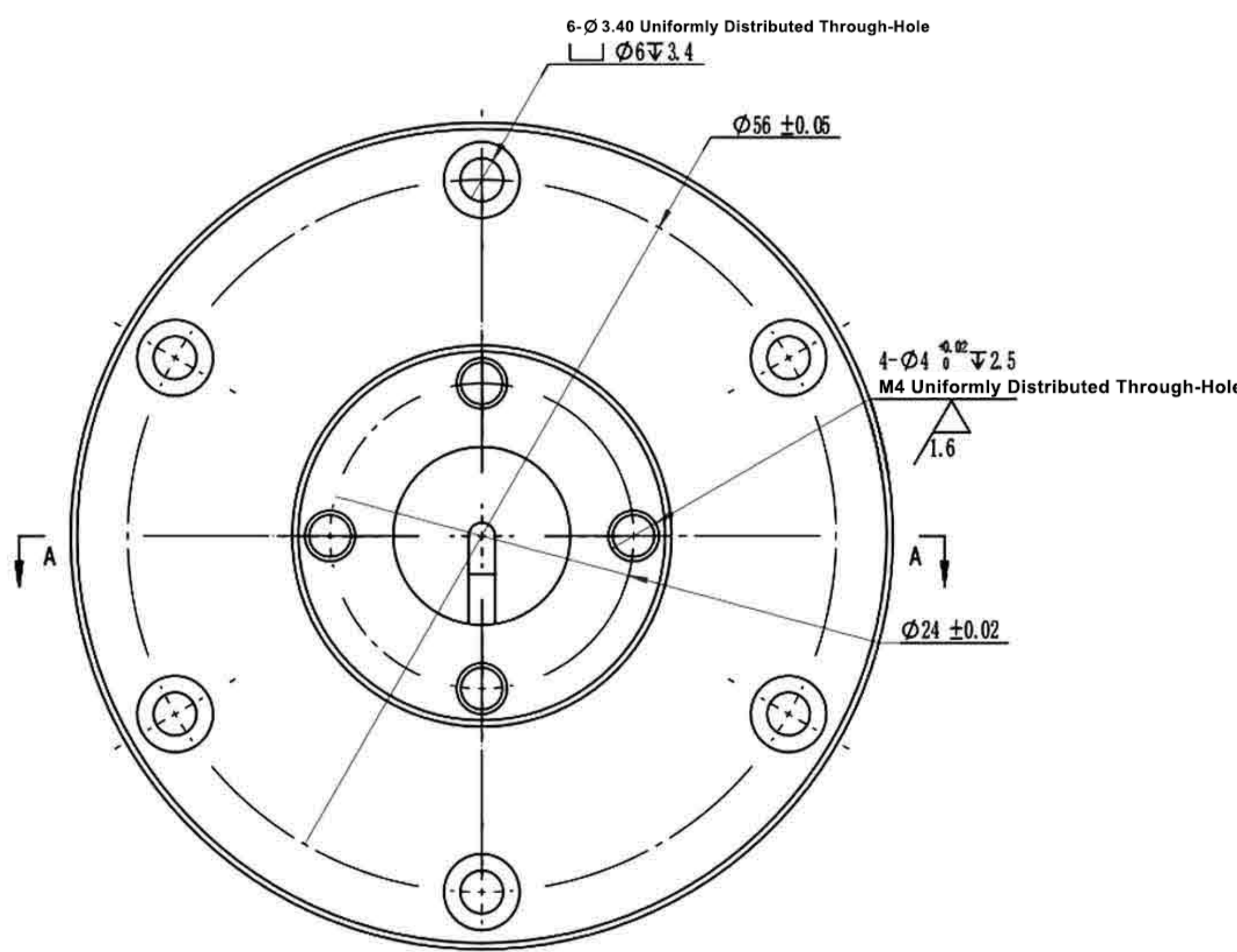
High standard fine zero defect

# SELF-OWNED FACTORY

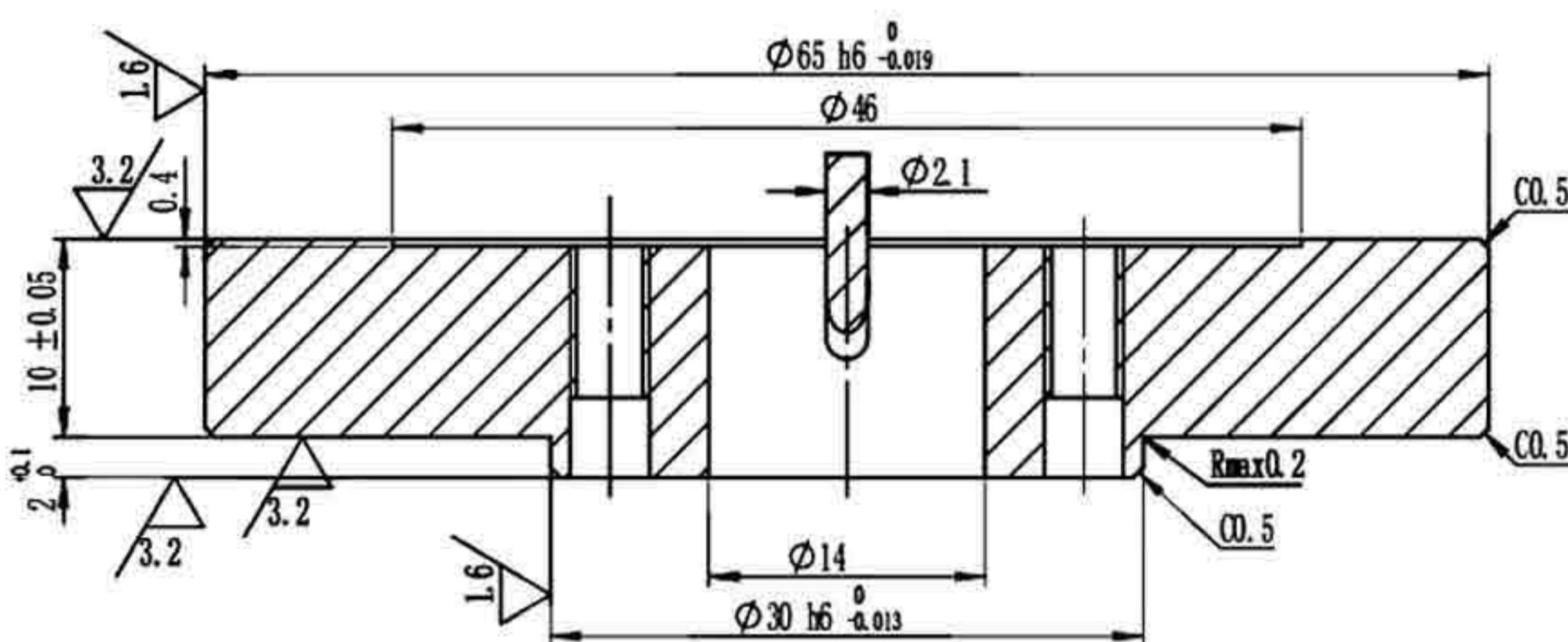
## LZ-NJY40 static torque sensor



### Overall dimension



10N.m Overall dimensions



### Technical parameter

**Capacity :** 5N.m~200N.m

**Zero Balance:**  $\leq \pm 1\%F.S$

**Rated Output:** 1.5~2.0mV/V

**Non-linearity:**  $\leq \pm 0.5\%F.S$

**Hysteresis:**  $\leq \pm 0.5\%F.S$

**Repeatability:**  $\leq \pm 0.5\%F.S$

**Creep (30min):**  $\leq \pm 0.5\%F.S/30min$

**Temp Effect on Zero:**  $\leq \pm 0.05\%F.S/10^{\circ}C$

**Temp Effect on Output:**  $\leq \pm 0.05\%F.S/10^{\circ}C$

**Operating Temp Range:**  $-20^{\circ}C \sim +60^{\circ}C$

**Input Impedance:**  $380 \pm 30\Omega / 730 \pm 30\Omega$

**Output Impedance:**  $350 \pm 2\Omega / 700 \pm 3\Omega$

**Insulation:**  $\geq 5000M\Omega/100VDC$

**Safe Load Limit:** 120%F·S

**Bridge supply voltage:** 5~12VDC <sup>10VDC recommended</sup>

**Material:** Alloy steel/stainless steel

### Peculiarity

High quality stainless steel material, disk structure, with reasonable structure design, high precision, good stability, small size, low height, convenient installation and other features.

### Use

Suitable for disk connection, drilling rig and industrial automation of a variety of static, non-continuous rotation of the torque value measurement field.

### Connection mode

